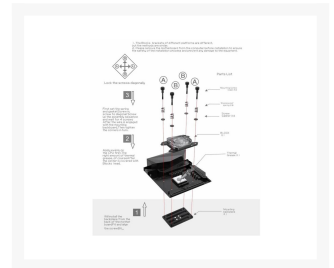
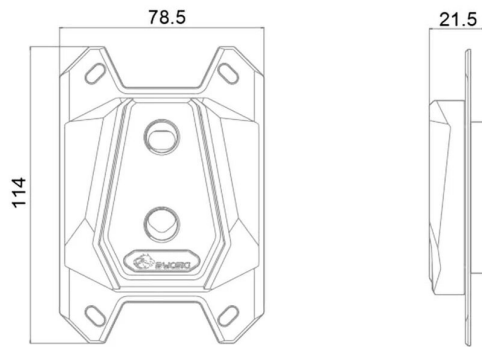


Bykski CPU-XPR-B-M-V2 CPU Water Cooling Block - PMMA w/ 5v Addressable RGB (AM3 / AM4 / FM2+ / Ryzen 3/5/7/9)

\$49.95

Product Images





Short Description

This Bykski CPU Water Cooling Block features an electroplated copper base plate that is covered by a precision machined PMMA top. This block fits a wide variety of current AMD processors making it a great choice for AMD users.

Description

This Bykski CPU Water Cooling Block features an electroplated copper base plate that is covered by a precision machined PMMA top. This block fits a wide variety of current AMD processors making it a great choice for AMD users.

The block base is electroplated to prevent oxidation. The top is highly polished PMMA with a black accent logo. A high flow design is achieved using 0.5mm channels. This creates good heat dissipation and allows for maximum performance.

Features

- Finest Craftmanship
- Designed to Fit Standard G1/4 Thread Fittings

Specifications

Specifications

- Model:CPU-XPR-B-M-V2
- Brand:Bykski
- Material:Electroplated High Purity Copper Base / PMMA Top
- Thread:G1/4
- Channel:0.5mm

Compatibility

- Loop:Non-Aluminum
- Socket:Socket:AMD AM2 / AM3 / AM4 / FM2+ / FM2 / FM1, Ryzen 3/5/7/9
- Fittings:G 1/4 Thread

Parts Included

- 1x CPU Water Cooling Block
- 1x Mounting Hardware
- 5v Addressable RGB LED (RBW)

Warnings

Manufacturer reserves right to alter block design to expand compatibility. Delivered item may not 100% match pictured item.

Not responsible for any damage caused by or when using this product. Please use at your own risk.

Additional Information

Brand	Bykski
SKU	CPU-XPR-B-M-V2
Weight	2.5000
Color	Clear
CPU Series	AMD AM2 / AM3 / AM4 / FM2+ / FM2 / FM1
Block CPU Type	AMD
Block Style	Nickel-Plexi

