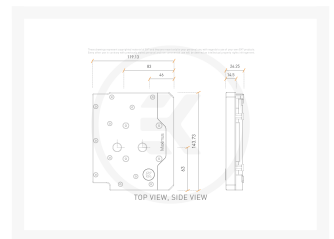
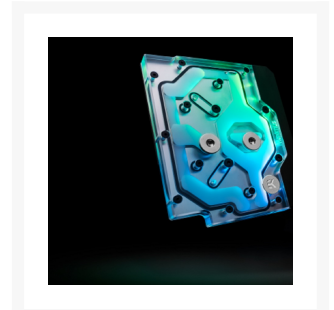




EK-Quantum Momentum ROG Maximus XII Hero D- RGB - Plexi

\$179.99

Product Images



Short Description

EK-Quantum Momentum ROG XII Hero D-RGB is the new Quantum Line monoblock specifically engineered for the ROG® Maximus XII Hero – an Intel® Z490 chipset-based motherboard. Featuring the latest generation Velocity cooling engine with low restriction and high performance, this monoblock is equipped with a 3-pin D-RGB (addressable) LED strip and it offers unparalleled aesthetical customization alongside superior

performance! The D-RGB LED in the monoblock is compatible with ASUS AURA Sync which offers a full lighting customization experience.

Description

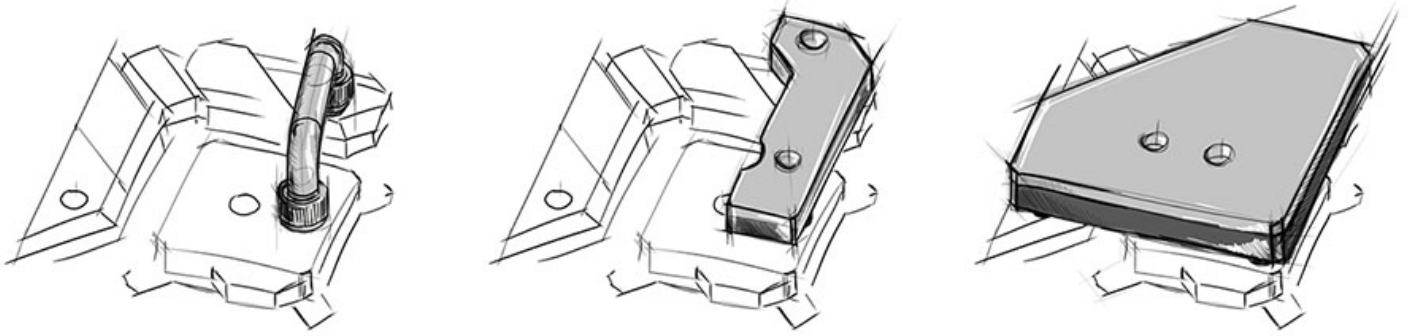
EK-Quantum Momentum ROG XII Hero D-RGB is the new Quantum Line monoblock specifically engineered for the ROG® Maximus XII Hero – an Intel® Z490 chipset-based motherboard. Featuring the latest generation Velocity cooling engine with low restriction and high performance, this monoblock is equipped with a 3-pin D-RGB (addressable) LED strip and it offers unparalleled aesthetical customization alongside superior performance! The D-RGB LED in the monoblock is compatible with ASUS AURA Sync which offers a full lighting customization experience.

The EK-Quantum Momentum VRM Bridge is the only off-the-shelf solution that will bridge multiple liquid cooling components with a unique mounting mechanism. It is specially made for the ROG Maximus XII Formula, and upgrading from any previous motherboard will be easy since you'll be able to reuse any of the existing Intel-socket-compatible EK-Quantum Velocity CPU water blocks.



The voltage regulating module cooler of the Hero motherboard has two operating regimes – the CrossChill EK III lets you cool the VRM with either air or water. Water cooling will provide lower temperatures, and in doing so, improve stability during high overclock frequencies. The redesigned cooling channels inside the cooling block have wider copper fins, delivering up to 37.2°C lower MOSFET temperatures when cooled by water.

EK's RnD team spent countless hours developing and perfecting this VRM Bridge solution. And since diamonds are made under pressure, after several iterations, the result was a second to none diamond-shaped product that impeccably integrates with aesthetics of the ROG Maximus XII Hero motherboard.



The new EK-Quantum Momentum VRM Bridge will replace the standard approach to connecting the integrated CrossChill EK III with the liquid cooling loop. Instead of using several angled and four tubing fittings, you only need EK's VRM Bridge (plus two fittings that would be used on the CPU block anyway). The Bridge acts as a single entity, channeling coolant through the CPU water block and VRM cooling block with two connection points.

A unique mounting and locking solution have been developed exclusively for the EK-Quantum Momentum VRM Bridge. Here at EK, we care about design, form, and functionality, which drove us to develop this patent-pending mounting mechanism. The user-friendly locking system is operated in just a few simple steps. This allows for the CPU water block and the integrated ROG Maximus XII Hero VRM cooling block to be connected in a few minutes. There is no need to mount several angled fittings, cut tubes to size, and then connect all that together – the EK Bridge solution simplifies the whole process.



The EK-Quantum Momentum VRM Bridge ROG Maximus XII Hero D-RGB is CNC-milled out of a single piece of high-grade glass-like cast acrylic top cover. The entire VRM Bridge slides onto special nickel-plated barb push-in fittings, while the 2mm thick stainless-steel base plate acts as the locking mechanism that latches to the

barb fittings.



This product is compatible with ASUS Aura RGB control software. The arrow marking on the 3-pin LED connector is to be aligned with the +5V marking on the Aura_gen2 header.

This monoblock bridge solution is only compatible with ROG Maximus XII Formula motherboard and EK-Quantum Velocity CPU water blocks.

Specifications

Technical specifications:

- D-RGB connector 3-pin 5V digital LED header (Pinout: +5V, D, Blocked, Ground)

Enclosed:

- EK-Quantum Momentum ROG Maximus XII Hero D-RGB Monoblock
- Mounting mechanism
- Thermal grease EK-TIM Ectotherm
- Thermal pads

Additional Information

Brand	EK Waterblocks
SKU	EK-MOM-ROG-MAX-XII-HERO-DRGB-NP
Weight	2.0000
Color	RGB
CPU Series	Intel 115X/1200
Block CPU Type	Intel
Block Style	Nickel-Plexi
Vendor SKU/EAN	3831109829325

