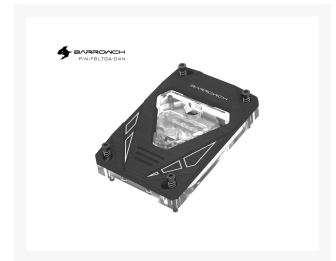
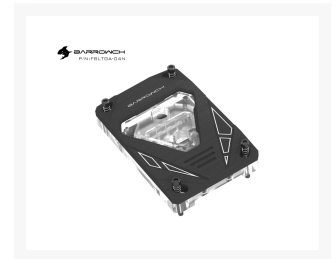




BARROWCH Barrowch M series CPU water block AMD Ryzen AM4/AM3

\$79.95

Product Images



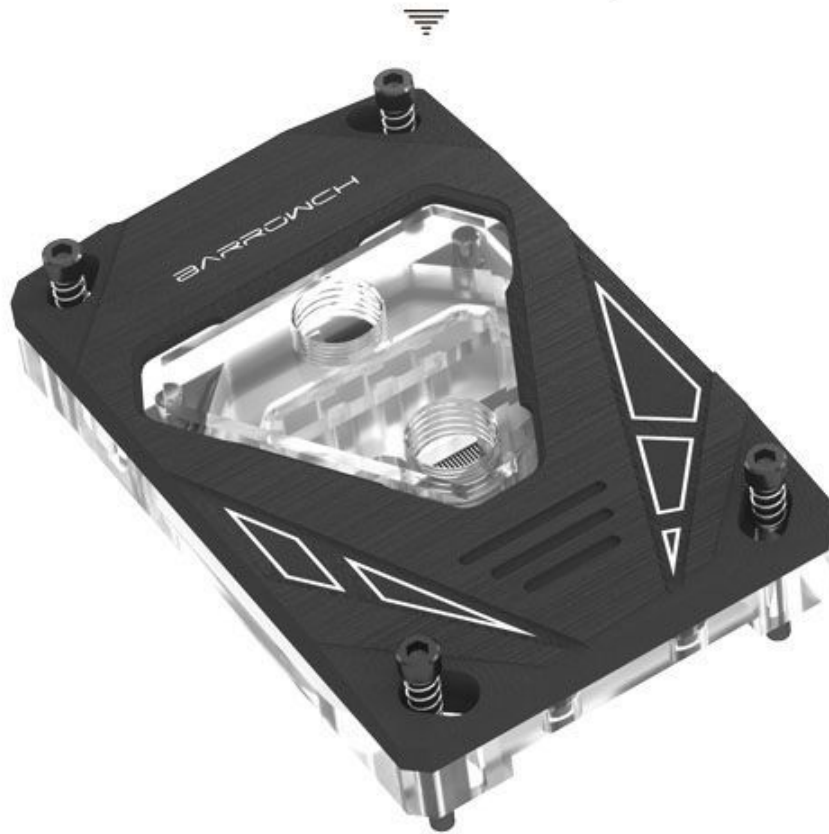
Short Description

Barrowch M series CPU water block AMD Ryzen AM4/AM3

Description

FBLTGA-04N

Barrowch M series CPU water block AMD Ryzen AM4/AM3 radiator



FBLTGA-04N

Create originality optimization and upgrading, Unique new experience



Micro water passage



Copper-nickel plated mount



Unique appearance



Colorful lights

◇ Products information

| | |
|--|--|
| Mode: FBLTGA-04N | Color: Black |
| Quantity: 1Set | Specification: G1/4" |
| Material: Red copper+Acrylic +Aluminum alloy | Dimensions: Please refer to the dimension drawing |
| Application: Suitable for desktop computer CPU core cooling. | |
| Note: In case of product appearance structure upgrade,without further notice, in kind prevail | |

 **BARROWCH**

P/N:FBLTGA-04N



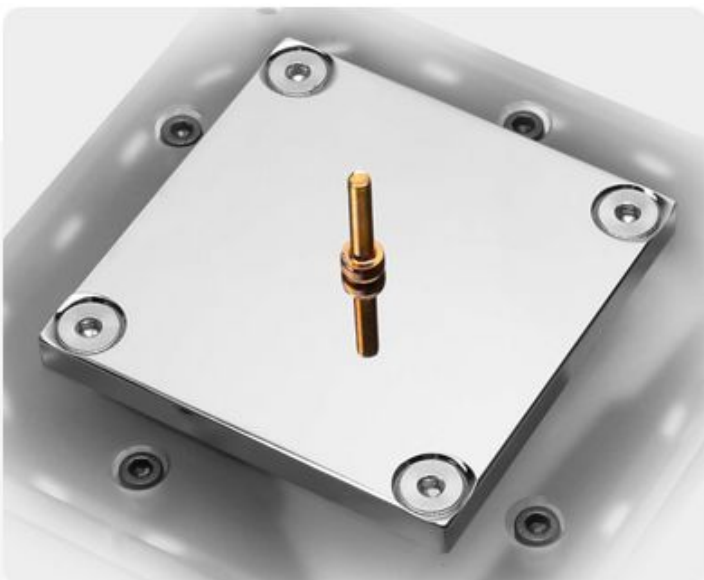


Original imported high-transparency acrylic board

High-temperature-resistant and high-transparency imported acrylic raw materials have higher transparency, longer life, no color change, no cracking, and emitting full of internal brilliant lighting effects.

High-density jet microchannel

58MM*58MM High purity copper nickel plating base plate, up to 49 micro channels, each channel is clear bottom grooving, 4 + 2 asymmetric (0.4mm slot width + 0.2mm interval) channel. The contact area between the cooling liquid and base plate is increased, and the heat dissipation efficiency of water block is enhanced.



Copper-nickel plated mount

As the main material of the soleplate, copper with thermal conductivity which is less than silver, has high heat absorption and heat transfer efficiency. The surface adopts the mirror nickel plating process, which can effectively prevent the soleplate from oxidation and increase the service life.

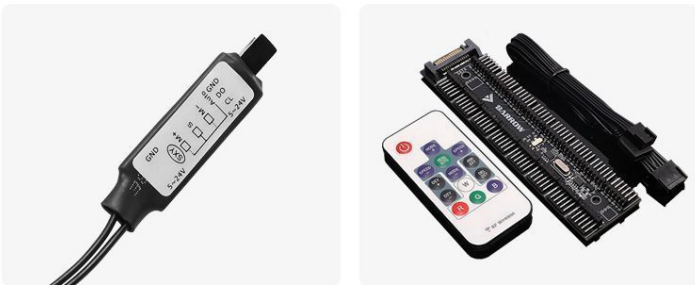
Lighting effects show

Version 2.0 lamp belts and lamp beads can produce asynchronous static and dynamic lighting effects, that is, each lamp bead can independently change color in the same period. The built-in removable RGB light components can replace the light components according to the actual needs.



Control system 2.0

LRC full-color RGB lighting control system 2.0 includes BARROW' s version 2.0 manual controller and 16 channel remote controller. It can be compatible with the RGB lighting components and other independent products as well as built-in lighting components of all BARROW's 2.0 versions.



Compatible motherboard programmable ARGB light interface

Motherboard with 5V programmable ARGB pin can be connected via adapter ZBDZJX-5

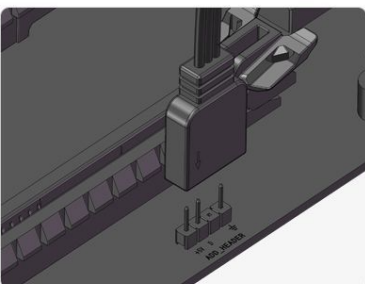
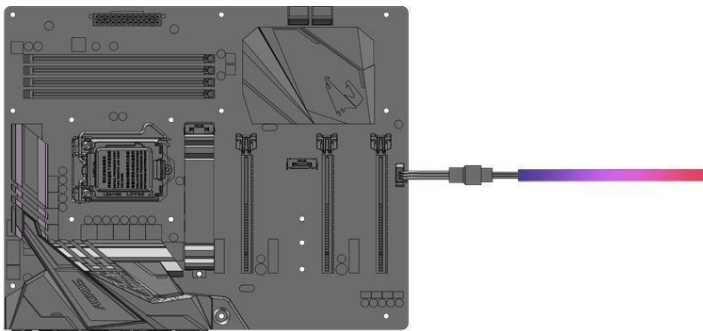


Barrow ZBDZJX-5 adapter cable



Length: 40cm

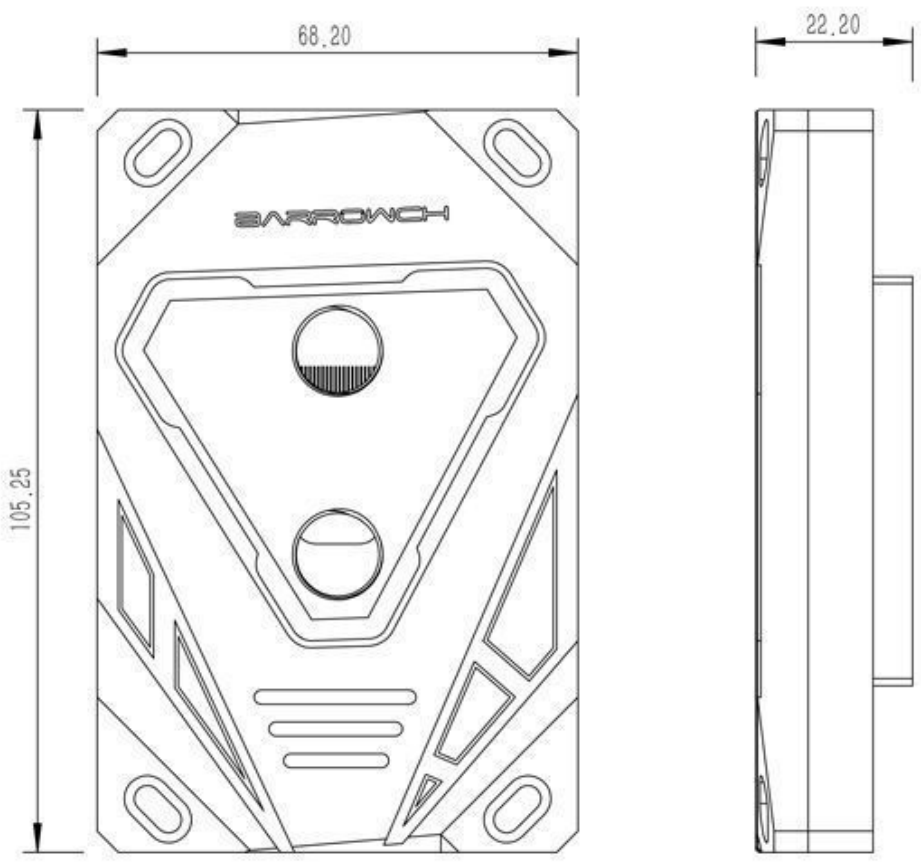
The adapter cable is not a standard accessory, please purchase separately



The 5V ARGB adapter cable should be connected to the corresponding motherboard interface in the corresponding direction

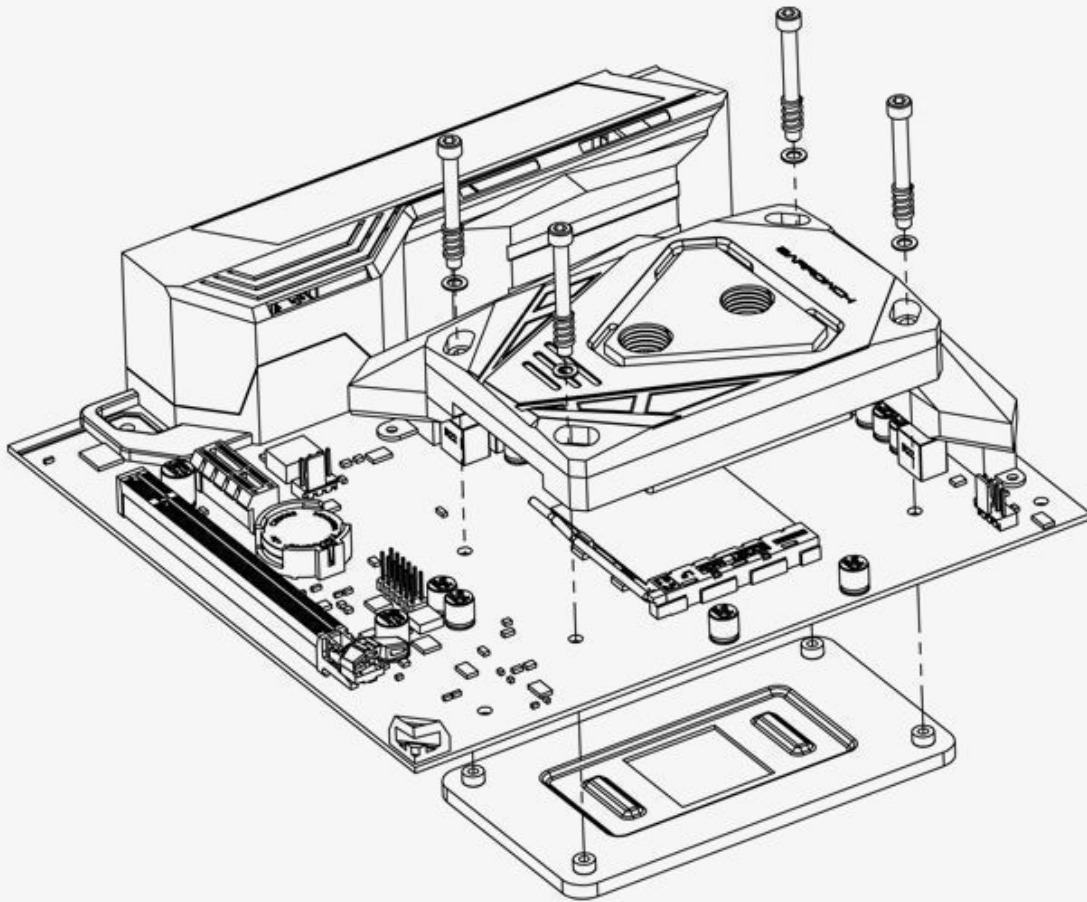
The ZBDZJX-5 adapter cable can only be connected to the motherboard 5V 3-pin ARGB lighting interface

Appearance size



DIMENSION IN MM

Installation example



·AMD

Purchase information

购买须知

1. Water block should be used with Controller collocation. When buying, please purchase the required Controller
2. Compatibility List: It can be compatible with AMD platform;
3. Must install the filtration device before water blocks, avoid to clog water blocks;
4. When installing, please pay attention to the inlet and outlet position of water blocks, errors in installation will affect heat dissipation efficiency;
5. In case of product appearance structure upgrade, without further notice, in kind prevail.

Additional Information

| | |
|----------------|---------------|
| Brand | Barrow |
| SKU | FBLTGA-04N |
| Weight | 3.5000 |
| Color | Black |
| CPU Series | AM3/AM4 |
| Block CPU Type | AMD |
| Block Style | Nickel-Plexi |
| Vendor SKU/EAN | 6937826664076 |

