



# **BARROW** Barrow AMD CPU water block integrated pump and reservoir-Black

\$119.99

## Product Images



## Short Description

---

Barrow AMD CPU water block integrated pump and reservoir

## Description

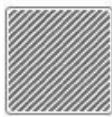
---

# LTPRKA-04

Barrow AMD CPU water block integrated pump and reservoir



LTPRKA-04



Micro water passage



Copper-nickel  
plated mount



Colorful lights



Easy to install

## ◇ Products information

Mode: LTPRKA-04	Color: Black bracket
Quantity: 1Set	Thread: G1/4"
Material: Aluminum alloy+Acrylic/POM	Dimensions: Please refer to the dimension drawing
Application: Suitable for desktop computer CPU core cooling.	
Note: In case of product appearance structure upgrade,without further notice,in kind prevail	

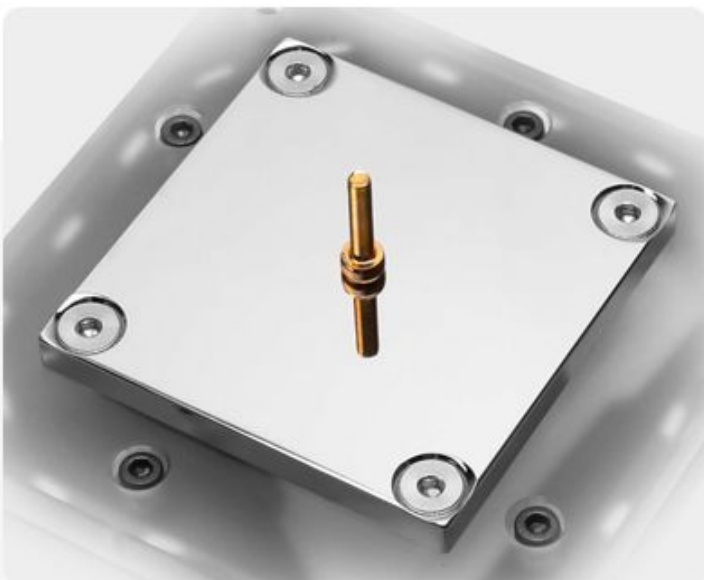
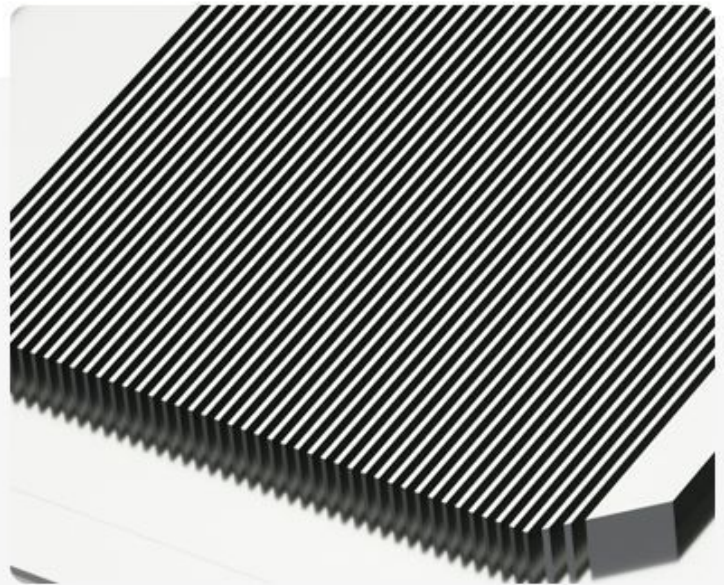


### Original imported high-transparency acrylic board

High-temperature-resistant and high-transparency imported acrylic raw materials have higher transparency, longer life, no color change, no cracking, and emitting full of internal brilliant lighting effects.

### High-density jet microchannel

58MM\*58MM High purity copper nickel plating base plate, up to 49 micro channels, each channel is clear bottom grooving, 4 + 2 asymmetric (0.4mm slot width + 0.2mm interval) channel. The contact area between the cooling liquid and base plate is increased, and the heat dissipation efficiency of water block is enhanced.



### Copper-nickel plated mount

As the main material of the soleplate, copper with thermal conductivity which is less than silver, has high heat absorption and heat transfer efficiency. The surface adopts the mirror nickel plating process, which can effectively prevent the soleplate from oxidation and increase the service life.



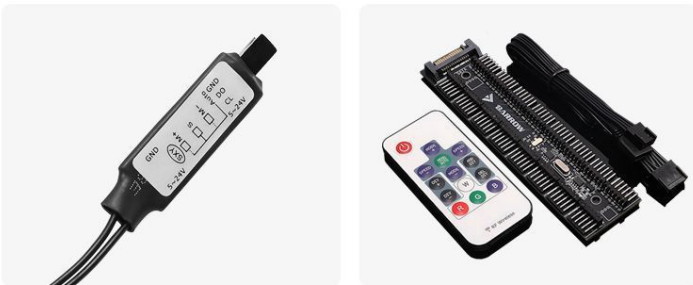
## Lighting effects show

Version 2.0 lamp belts and lamp beads can produce asynchronous static and dynamic lighting effects, that is, each lamp bead can independently change color in the same period. The built-in removable RGB light components can replace the light components according to the actual needs.



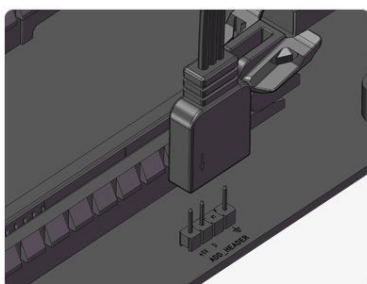
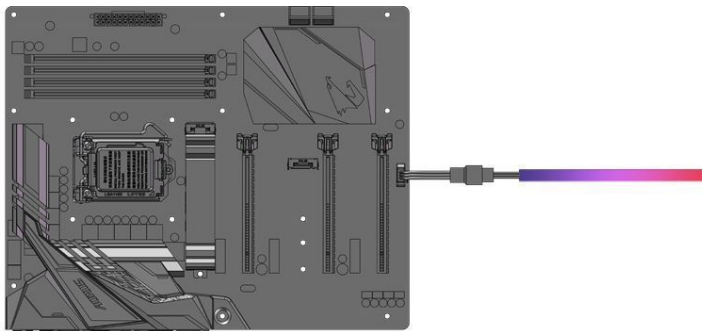
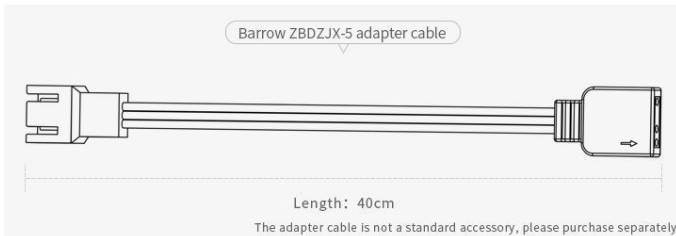
## Control system 2.0

LRC full-color RGB lighting control system 2.0 includes BARROW' s version 2.0 manual controller and 16 channel remote controller. It can be compatible with the RGB lighting components and other independent products as well as built-in lighting components of all BARROW's 2.0 versions.



## Compatible motherboard programmable ARGB light interface

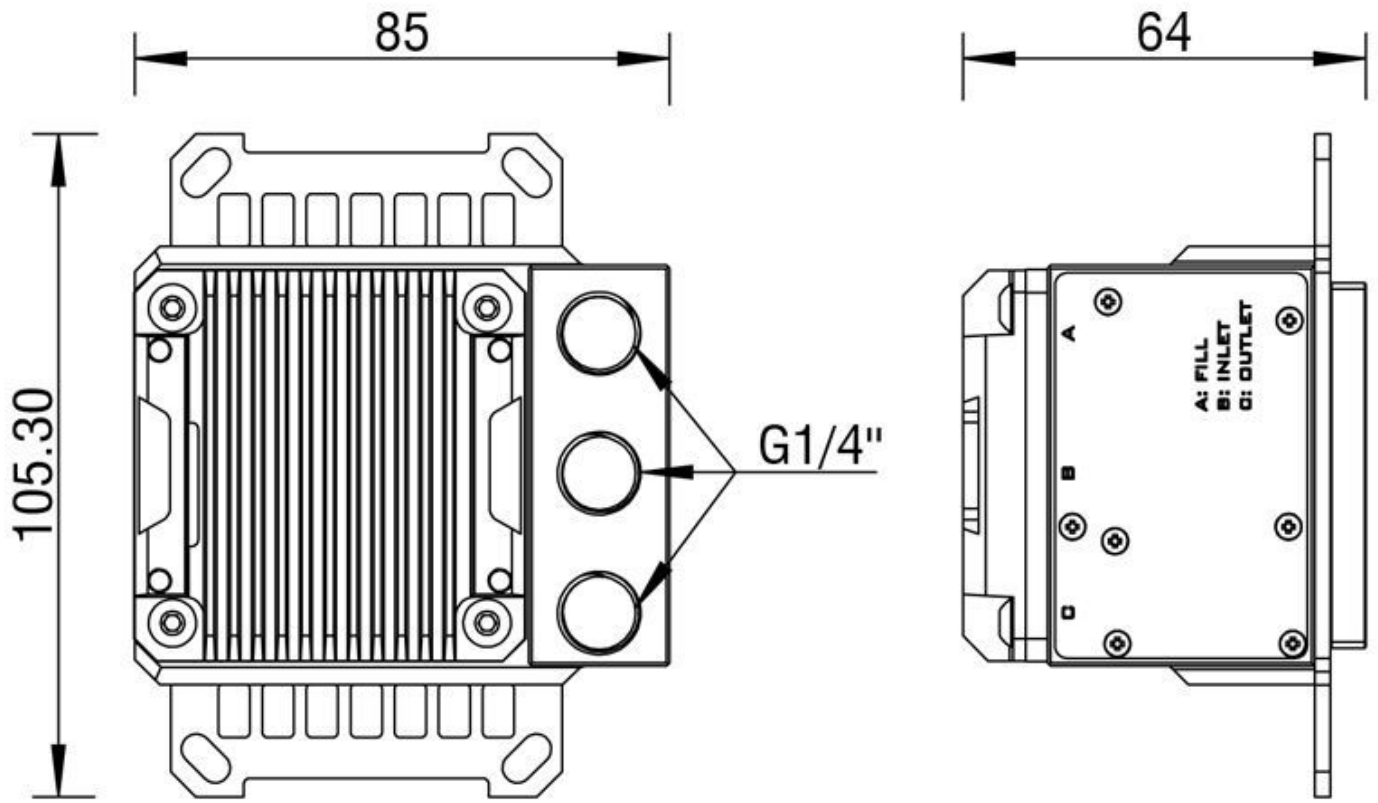
Motherboard with 5V programmable ARGB pin can be connected via adapter ZBDZJX-5



The 5V ARGB adapter cable should be connected to the corresponding motherboard interface in the corresponding direction

The ZBDZJX-5 adapter cable can only be connected to the motherboard 5V 3-pin ARGB lighting interface

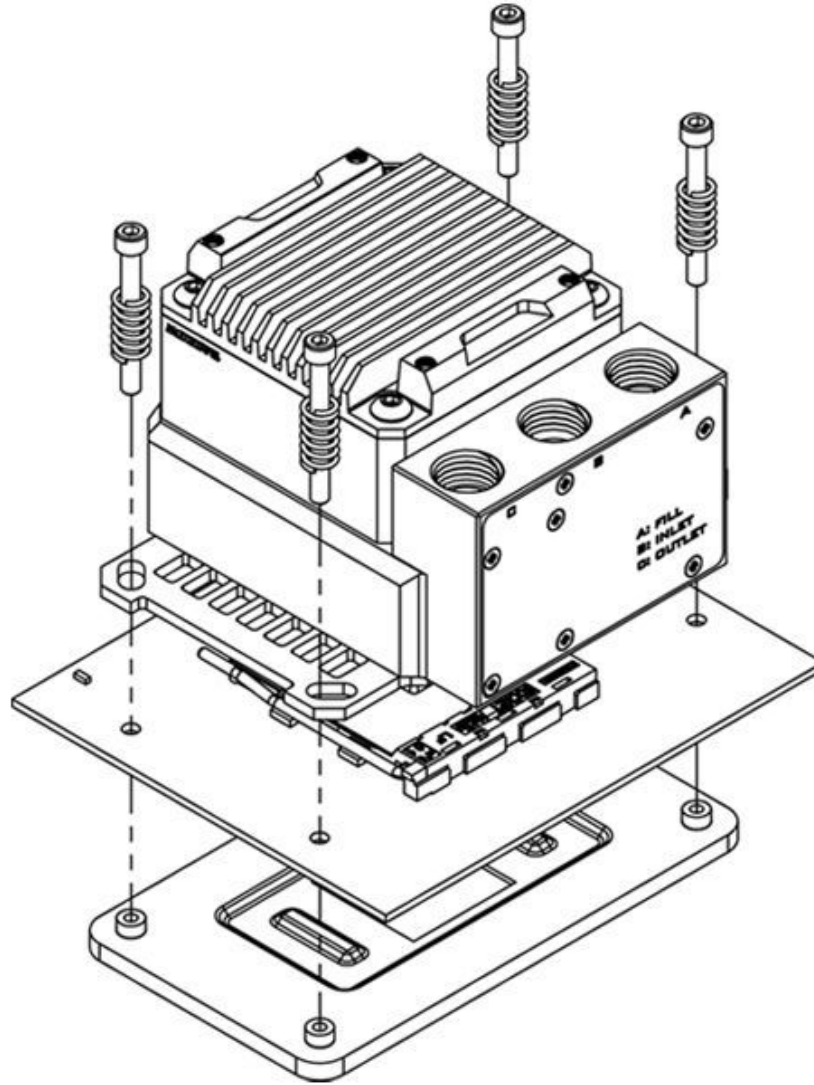
## Appearance size



DIMENSION IN MM

# Install tutorial

---



· AMD平台



## Additional Information

---

Brand	Barrow
SKU	LTPRPA-04-BK
Weight	3.0000
Color	Black
CPU Series	AM3/AM4
Block CPU Type	AMD
Vendor SKU/EAN	6937826614576

