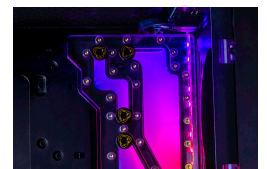


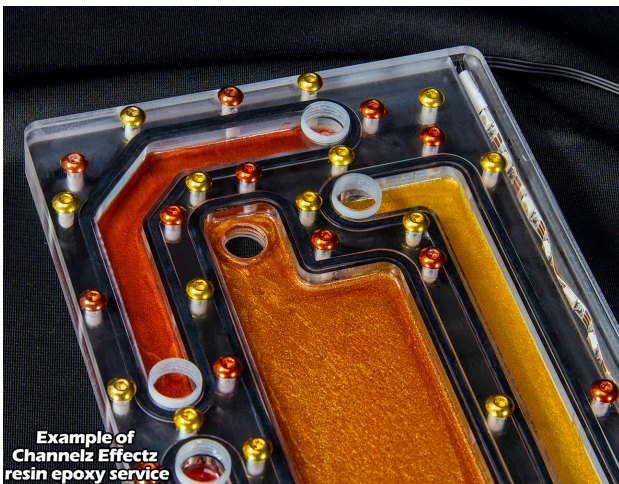
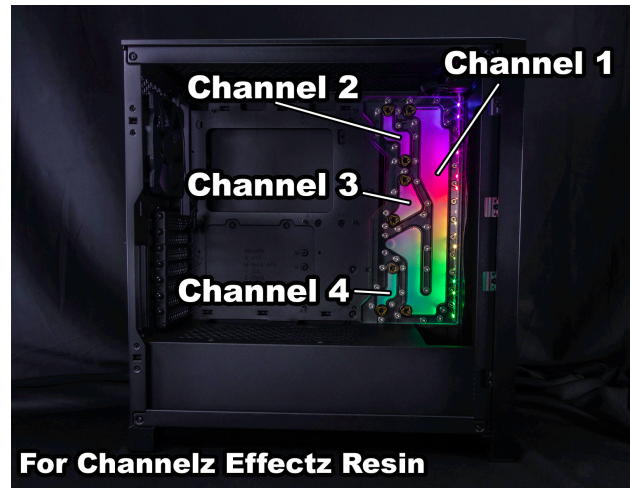
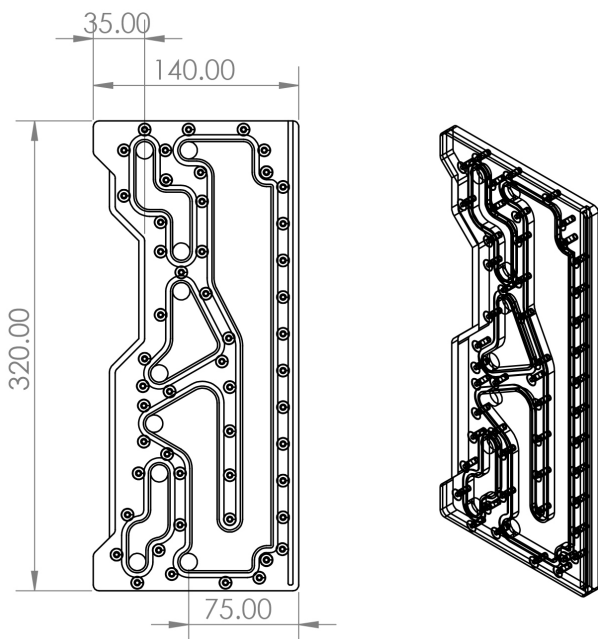
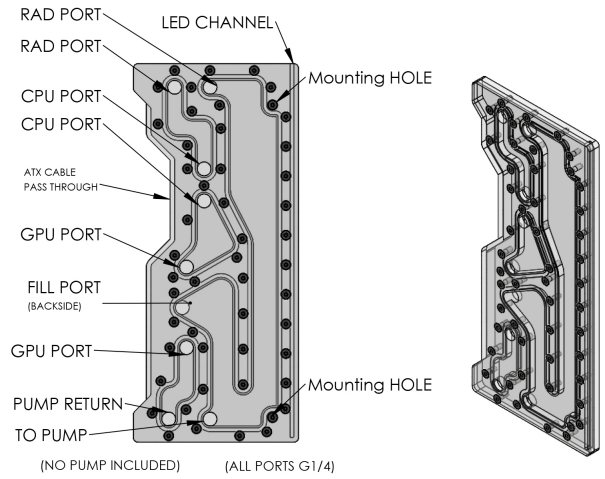
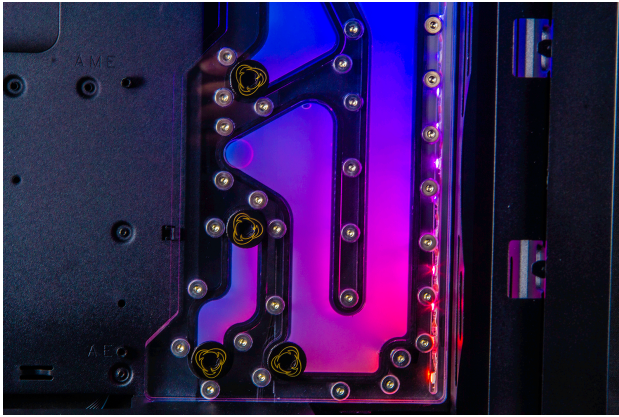


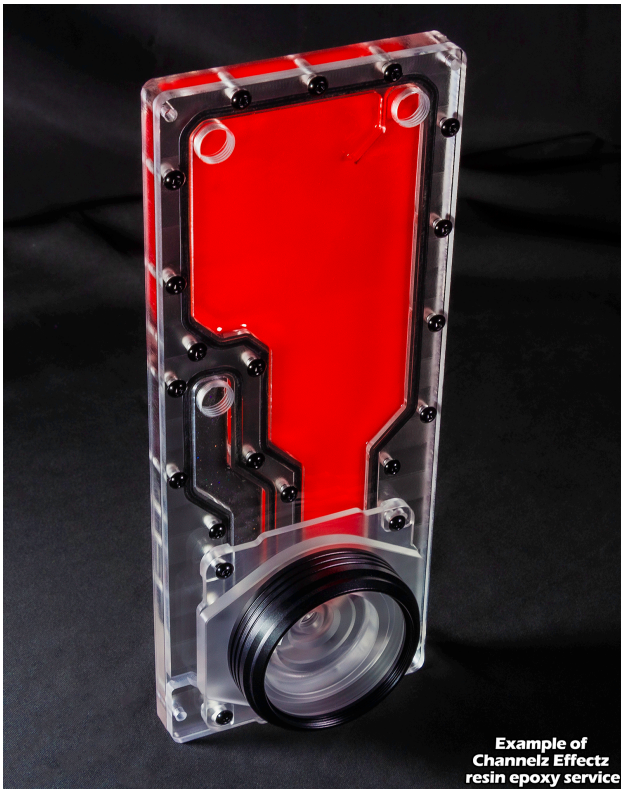
PPCS Channelz™ Corsair
4000X/D Side Mounted
Reservoir Distribution Plate

\$175.95

Product Images







Short Description

Designed and manufactured in the USA by Performance PCs.

This is a Single Loop Distribution Plate which mounts to the right of your Motherboard in the Corsair 4000X and 4000D. This Distroplate does not come with a pump mounting options but does have to ports dedicated for including a stand-alone pump.



Description

Designed and manufactured in the USA by Performance PCs.

This is a Single Loop Distribution Plate which mounts to the right of your Motherboard in the Corsair 4000X and 4000D. This Distroplate does not come with a pump mounting options but does have to ports dedicated

for including a stand-alone pump. There are 9 ports, 4 inlet, 4 outlet and fill port on the back of the distribution plate which can be accessed by removing the back panel. It comes included with a DRGB Addressable LED strip.



Channelz Effectz Service

Tired of all that colored Coolant clogging up your loop but don't want to stick with some boring old clear coolant? Well Performance-PCs has you taken care of with their new Channelz Effectz Service! This service is a great way to add some color to your Channelz distribution plate without clogging your loop with pastel or mica filled coolants. We use an epoxy resin mixture that is safe for your loop and will certainly help that build POP. There is 30 different super vivid color options to choose from and we even added the ability for you to mix colors to give your loop its own style.

Features

Installation:

First remove the back panel from your Corsair 4000X/D case, with the panel removed line up the distribution plate's mounting holes with the top and bottom holes located toward the front panel of the case. With the included mounting hardware mount the distro with the screws going through the front of the distro plate and tightening them down with the included washer and nut.

Specifications

Specifications:

Material: Clear Cast Acrylic.

Fasteners: Stainless Steel Silver.

Stand Offs: Brass.

Gaskets: Silicone Black.

O-rings: Silicone Black and Clear.

Stop Fittings: Brass Black Powder coat.

Ports: x9. Inlet: x4. Outlet: x4. Fill Port: x1.

LED Strip: DRGB 5V Addressable.

Dimensions: Width: 175mm. Height 320mm. Depth 16mm.

Included Items:

Corsair 4000X/D Reservoir Distribution Plate: x1.

Stop fittings: x1.

DRGB LED Strip: x1.

Mounting Fasteners: M4x22 Countersunk screws: x2, M4 Nuts: x2, 2 washers

Additional Information

Brand	PPCS
SKU	PPCS-DISTRO93
Weight	7.0000
Color	Clear
Reservoir Type	Distribution plate
Vendor SKU/EAN	0738447961645

