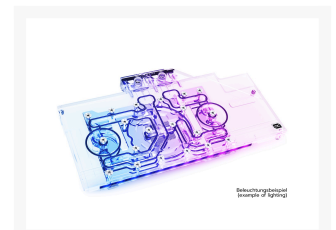
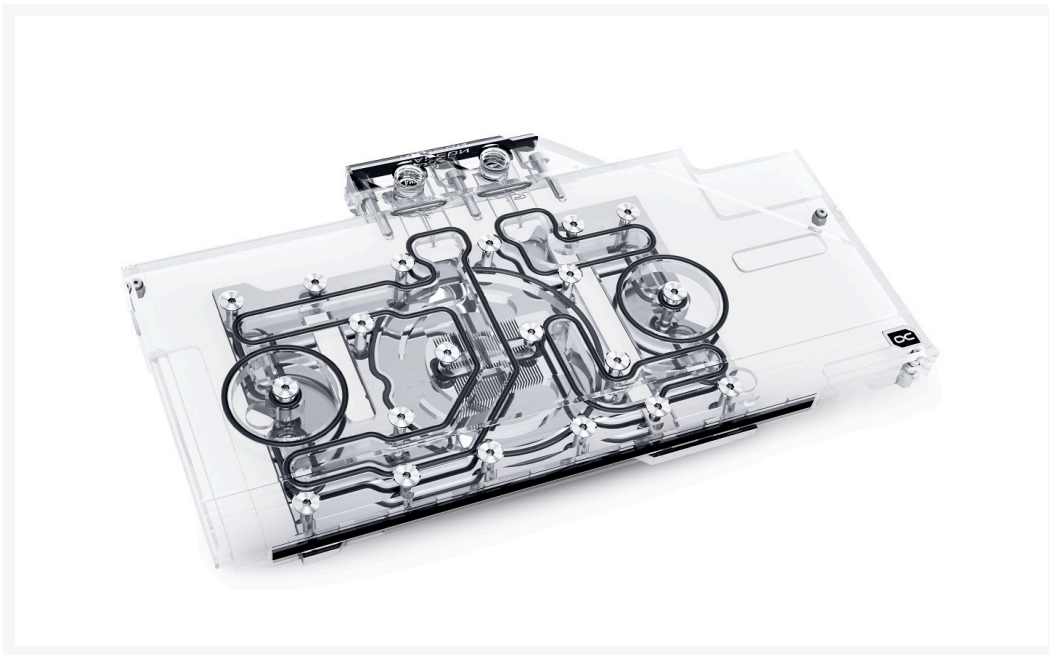




Alphacool Eisblock Aurora Acryl GPX-A Radeon RX 6800 Nitro+ with Backplate

Special Price
\$127.66 was
\$152.95

Product Images



Short Description

The Alphacool Aurora Acryl GPX-A RX 6800 Nitro+ Eisblock combines style with performance and extensive digital RGB lighting. With experience of over 16 years, Alphacool the ability to create GPU blocks that represent high quality and fantastic performance. This perfectly describes the Aurora Acryl GPX Eisblock

Description

The Alphacool Aurora Acryl GPX-A RX 6800 Nitro+ Eisblock combines style with performance and extensive digital RGB lighting. With experience of over 16 years, Alphacool has the ability to create GPU blocks that represent high quality and fantastic performance. This perfectly describes the Aurora Acryl GPX Eisblock

More Performance!

During the development of the Eisblock Aurora GPX-A RX 6800 Nitro+ graphic card GPU block, we wanted to further increase the performance. The first step was to move the cooler closer to the individual components by reducing the thermal pads to a thickness of 1 mm. Next, we reduced the thickness of the nickel-plated copper block. Instead of 7 mm, it is now only 5.5 mm thick. The water flow inside the cooler has also been optimized. All important components such as the voltage transformers and the memory are now significantly better and more effectively cooled by the water. All this ensures a significant increase in cooling performance.

New Design!

The Eisblock Aurora GPX-A RX 6800 Nitro+ cooler has been designed so that lighting is more important than the previous models. The addressable digital RGB LEDs are embedded directly into the cooling block and run along the entire cooling block. The effect is an illumination of the entire cooling block. No corner or edge remains unlit by the aRGB LEDs. The new design is more angular with all edges bevelled. This promotes better light diffusion in the water cooler due to the reflections on these bevels. In addition, they create various contours, which give the Aurora GPX-A RX 6800 Nitro+ Eisblock cooler its very own unique identity.

Copper or Aluminium?

Of course, Alphacool only uses copper for its water coolers. With the Aurora GPX-A RX 6800 Nitro+ Eisblock, the copper is nickel-plated. Compared to its predecessor models, Alphacool has improved the nickel plating even further, which has considerably increased the acid resistance. This means that the nickel should resist flaking. Why does Alphacool rely on copper instead of aluminium? Simply, copper has almost twice the thermal conductivity of aluminium and is therefore clearly the better material for water cooling.

Is There Anything Else New?

The Eisblock Aurora GPX-A RX 6800 Nitro+ also relies on the new patented stop fittings, which sit flush with the surface of the terminal. The Alphacool logo now sits in the corner on the top and is also fully illuminated. On the front of the terminal you can see the corresponding names of the compatible graphic card types. Of course, these are also fully illuminated by the digital LEDs. IN and OUT are now marked by small triangles. They are easily recognizable and fit perfectly into the entire aesthetics of the graphic card water cooler.

The Alphacool Aurora GPX-A RX 6800 Nitro+ Acryl is a complete redevelopment of the previous Alphacool graphics card water coolers. No technical compromises were made, but the entire technical know-how flowed into the development and implementation.

Features

Compatibility list:

- Sapphire Nitro+ Radeon RX 6800 OC 16G, 16384 MB GDDR6

Specifications

Technical data:

L x W x B: 143 x 260 x 24,5 mm

Material cooler: Nickle plated copper

Material top: Acetal

Thickness cooling fins: 0,6 mm

Threads: 4x G1/4"

Additional Information

Brand	Alphacool
SKU	AC-11962-D
Weight	3.2700
Color	Clear
Vga	AMD Radeon RX 6800XT Nitro+
Block GPU Type	AMD
Block Style	Nickel-Plexi
Vendor SKU/EAN	4250197119627
Special Price	\$127.66

