



Thermaltake AH T200 Snow Micro Chassis

\$169.99

Product Images





Short Description

The Thermaltake AH T200 Snow is a helicopter styled open frame micro chassis which comes with two 4mm tempered glass panels on left and right sides and can support motherboards up to Micro ATX.

Description



Thermaltake AH T200 Snow Micro Chassis

The AH T200 Snow, a smaller version of the AH T600, is the first micro case from the AH Series which is forged with a sturdy, air-force styled architecture with two large 4mm tempered glass panels on the left and right sides, and three 3mm tempered glass windows on the front. I/O ports are located at the top-front panel with a futuristic power button. Not only ensures outstanding ventilation but enables users to demonstrate their handwork and showcase their internal components. The AH T200 Snow can hold up to two 140mm fans at the front and on top, 240mm or 280mm All-In-One CPU cooler at the front. The AH T200 Snow Micro Chassis is one-of-a-kind that all users will notice, love, and desire.



TT Premium

To continue achieving the corporate mission of delivering the perfect user experience, Thermaltake developed "TT Premium" with the essence of combining supreme quality products with a new logo design. TT Premium is far more than just a guarantee of quality. Behind the name, it represents the passion in DIY, Modding and Thermaltake's desire to be the most innovative brand in the PC hardware market. To satisfy the demand of the high-end PC users, TT Premium follows its core values of Excellent Quality, Unique Design, Diverse Combinations and Boundless Creativity to provide a high performance PC product for every enthusiast.

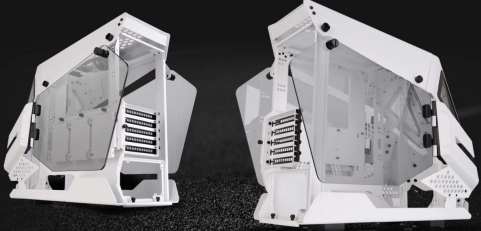
Helicopter Inspired Design

The AH T200 Snow is a helicopter inspired micro ATX case constructed with solid steel all around, and side vents on each end. It comes with two beautifully designed 4mm tempered glass panels on each side and three 3mm small tempered glass windows at the front not only helps you showcase interior components but also highlights the helicopter design concept.



Tempered Glass Panels

The AH T200 Snow comes with two 4mm tempered glass panels, thicker and more scratch resistant when compared to standard acrylic. Swinging doors on the left and right sides allow users to easily access the internal components as well as the ability to remove the doors entirely for complete access to the internals. On top of this, the enlarged window design enables you to display and admire all your components in their full RGB glory.



Sophisticated Space Design

Sophisticated and special interior space design of the AH T200 Snow provides enough capacity for PC components placement and cable management.



Outstanding Airflow

Thanks to the dedicated open frame design of the AH T200 Snow, the airflow within the case moves smoothly, ensuring the interior temperature stays low at all times.



The image is for reference only.

Expansion and Cooling Solution

The AH T200 Snow has good expandability. It can support a CPU cooler with a maximum height of 150mm, VGA with maximum length of 320mm, a power supply with a length of up to 180mm, and two 3.5" or three 2.5" HDD (3.5" HDD thickness limitation: 22mm). Although the AH T200 Snow is a compact mini case, it is still optimized for good cooling solutions. It is able to house up to two 120mm or two 140mm fans at the front and on top and 240mm or 280mm AIO cooler at the front.

Dimensions Fan Capacity HDD



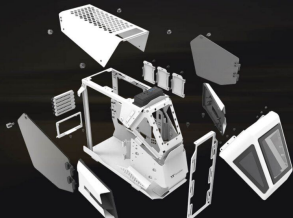
Handy I/O Ports

Two 3.0 USB and one USB 3.1 (Gen 2) Type C ports placed at the panel to grant direct access when needed.



DMD: Dismantlable Modular Design

Strip your case down to the bones and install elements when and as you need them with our modular design. The AH T200 Snow features modular panels, racks, brackets, and pre-design mounting arrays. No more unreachable screw corners or gaps, installation can be a breeze with our Dismantlable Modular Design.



Specifications

More Information

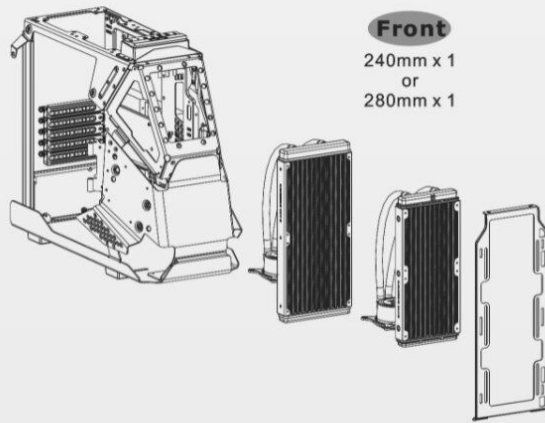
| | |
|--|---|
| | CA-1R4-00S6WN-00 |
| | AH Series |
| | AH T200 Snow |
| | Micro Case |
| | 444.2 x 282 x 551.5 mm (17.5 x 11.1 x 21.7 inch) |
| | 10.8 kg / 23.8 lb |
| | Tempered Glass x 2 |
| | White |
| | SPCC |
| | N/A |
| | 2 x 3.5" or 3 x 2.5" (3.5" HDD thickness limitation: 22mm) |
| | - |
| | 5 |
| | 6.7" x 6.7" (Mini ITX), 9.6" x 9.6" (Micro ATX) |
| | USB 3.1 (Gen 2) Type C x 1, USB 3.0 x 2, HD Audio x 1 |
| | Standard PS2 PSU (optional) |

| | |
|--|---|
| | <p>Front: 2 x 120mm or 1 x 120mm 2 x 140mm or 1 x 140mm</p> <p>Top: 2 x 120mm or 1 x 120mm 2 x 140mm or 1 x 140mm</p> |
| | <p>Front: 1 x 240mm or 1 x 120mm 1 x 280mm or 1 x 140mm</p> |
| | <p>CPU cooler max height: 150mm VGA max length: 320mm PSU max length: 180mm 3.5" HDD thickness limitation: 22mm</p> |

Radiator Support List

All-in-One Compatibility List

| | 120 Series | 240 Series | 140 Series | 280 Series |
|-------|------------|------------|------------|------------|
| Front | • | • | • | • |



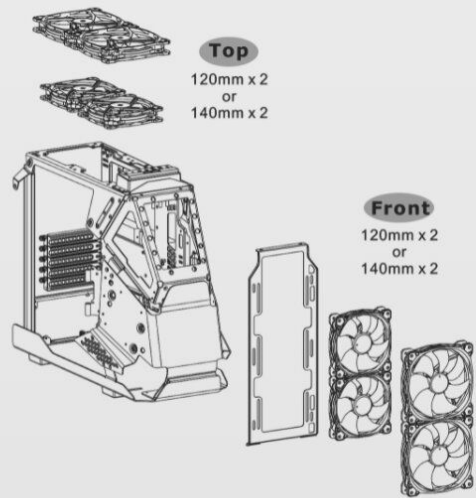
Fan Support List

Fan Compatibility List

| | 120mm | 140mm | 200mm |
|-------|-------|-------|-------|
| Front | 2 | 2 | - |
| Top | 2 | 2 | - |

Thermaltake Compatible Fan

| | 120mm | 140mm | 200mm |
|-----------------|-------|-------|-------|
| PURE FAN Series | • | • | - |
| Ring FAN Series | • | • | - |



Additional Information

| | |
|---------------------|------------------|
| Brand | Thermaltake |
| SKU | CA-1R4-00S6WN-00 |
| Weight | 24.0000 |
| Color | White |
| Chassis Form Factor | Mini-Tower |
| Side Panel | Window |
| Motherboard Support | Micro ATX |

