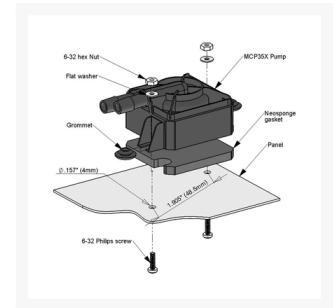




# Swiftech MCP355 12 VDC DDC Pump

\$99.95

## Product Images



## Short Description

Introducing the MCP355™ pump: despite a remarkably small footprint of 2.4" square, the MCP355 features an astounding 20ft of head to provide superior flow rates in today's most complex liquid cooled systems. The MCP355 is also a high reliability, high pressure industrial pump, featuring a 50,000 hour MTBF (5 year lifetime).

## Description

Introducing the MCP355™ pump: despite a remarkably small footprint of 2.4" square, the MCP355 features an astounding 20ft of head to provide superior flow rates in today's most complex liquid cooled systems. The MCP355 is also a high reliability, high pressure industrial pump, featuring a 50,000 hour MTBF (5 year lifetime). Such reliability is afforded by the unique design of this pump, which contains only one moving part: the magnetically driven rotor/impeller spins on a single ceramic bearing, thus extending the life of this pump beyond existing standards. The pump is completely plug-and-play, and connects directly to any computer power-supply through standard 4 pin power connectors. It's compact and powerful motor make it ideally suited for extreme duty cooling in environments where space is at a premium.

## Retention Mechanism

- The MCP355™ can either be installed with the built-in neoprene pad featuring a peel-off adhesive back, or permanently with thru-bolts.

## Features

---

### Summary of features and benefits

- Small Footprint: 2.4" x 2.4" x 1.5"
- 50,000 hours MTBF (Mean Time Between Failure) equivalent to 5 years lifetime.
- Superior 12 Volts DC convenience: plugs into the computer power supply
- The MCP355™ can be used with full confidence in any MP servers, and high-end workstations.
- Superior real world performance thanks to its high pressure characteristics (20ft of head). The MCP355™ is particularly well adapted to the proliferation of daisy-chained liquid cooling devices in a single circuit: Multiple Processors, Chipset, Graphics, and Hard Drives.
- 3/8" barb fittings.
- No maintenance when used with de-mineralized water, and anti-fungal additives (Our HydrX™ additive is recommended)
- Quick installation with adhesive neoprene pad, or permanent installation with screws and grommets.
- RPM sensor plugs to 3 pin motherboard fan connectors and reports impeller rotational speed

A Note of Caution! the MCP355 generates higher audible noise than the [MCP350](#) and [MCP655](#) pumps. This product is not recommended for users seeking silent operations.

## Specifications

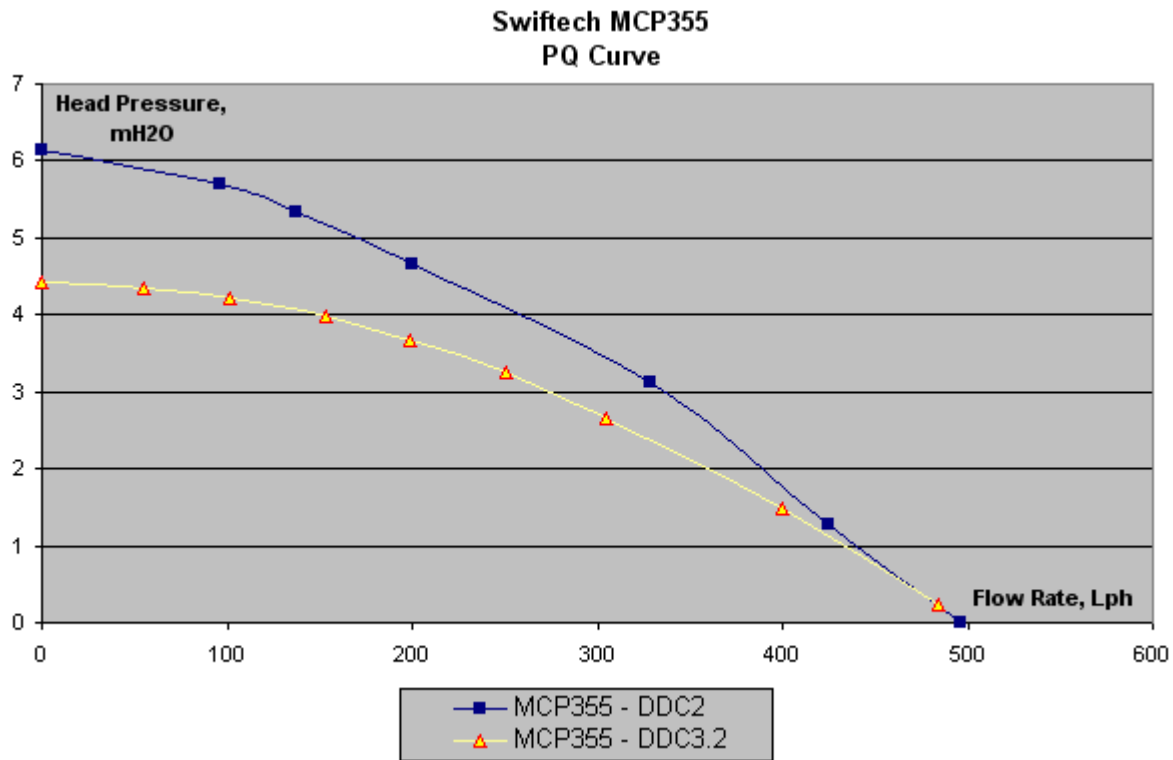
---

### Technical specifications

Nominal voltage	12 V DC
Operating voltage range	8 to 13.2 VDC
Minimum starting Voltage	9 VDC
Nominal power (@ 12 V)	14-19 W
Nominal current (@ 12 V)	1.16-1.58 amps
Nominal head (@ 12 V)	15 ft (4.5 m)
Nominal discharge (@ 12 V)	~ 120 GPH (454 LPH)
Connection size	3/8" barbs (10mm)
Maximum pressure	22 PSI (1.5 BAR)
Temperature range	Up to 140°F (60°C)
Electrical connector	Molex 4 pin

Weight	7.3 oz (207 gr.)
Our noise measurement (non lab environment)	30 ~ 32 dBA in a quiet room @ 2'
Motor type	Electronically commutated, brushless DC
Pump MTBF (Mean Time Between Failures)	50,000 Hours
RPM Signal	Yes

PQ Curve



Dimensions



Exploded View

## Additional Information

---

Brand	Swiftech
SKU	MCP355
Weight	2.0000
Color	Black
Pump Type	DDC
Pump Voltage	12 VDC

