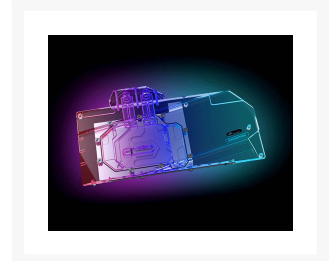
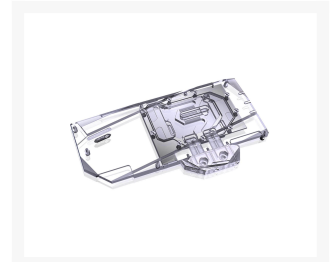
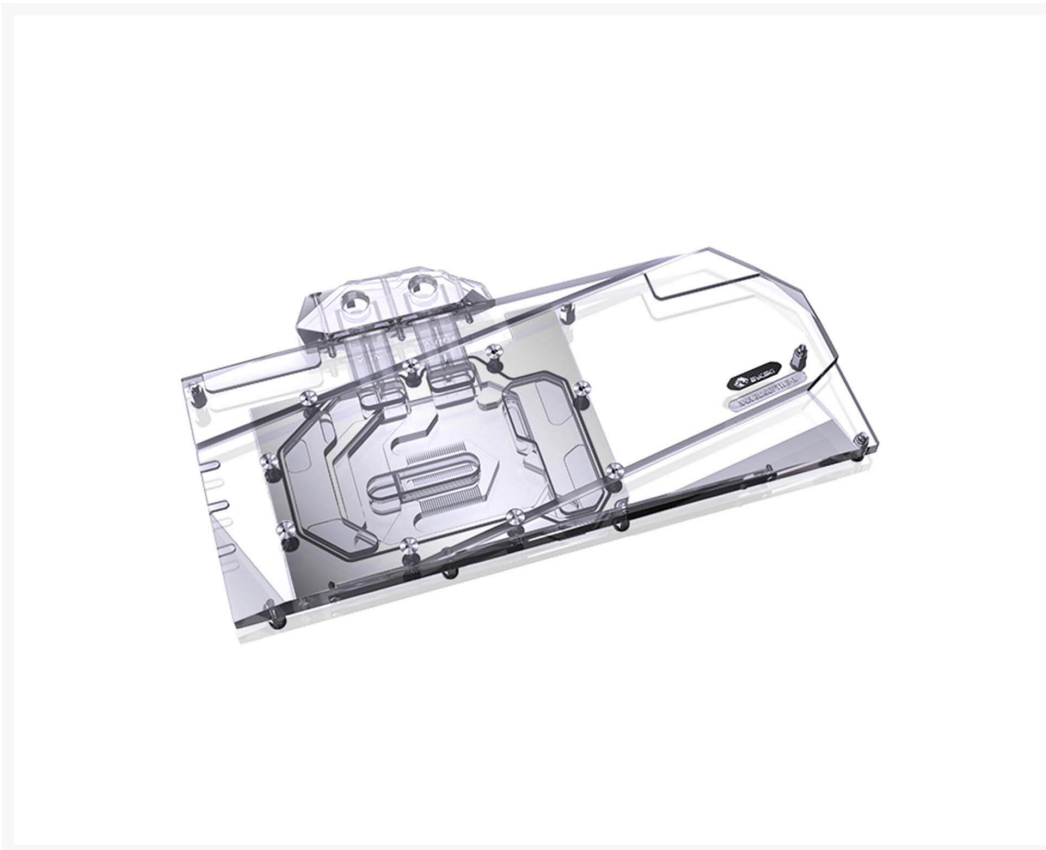




# Bykski Full Coverage GPU Water Block and Backplate for EVGA RTX 3090/3080 FTW3 Ultra Gaming

Special Price  
**\$143.99** was  
~~\$179.99~~

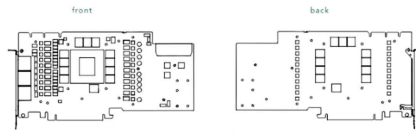
## Product Images





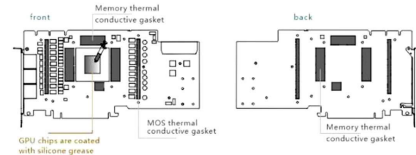
The first step : Remove the original radiator,Wipe the silicone grease on the GPU chip and the original heat conducting pad on the electronic components,First check whether the position and number of screws on the block are consistent with the screw holes on the GPU,if it is completely corresponding,apply or paste the heat-conducting silicone grease and heat-conducting paste provided by the block in the corresponding position.

**Before using silicone grease**



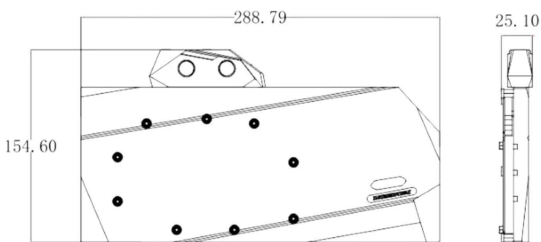
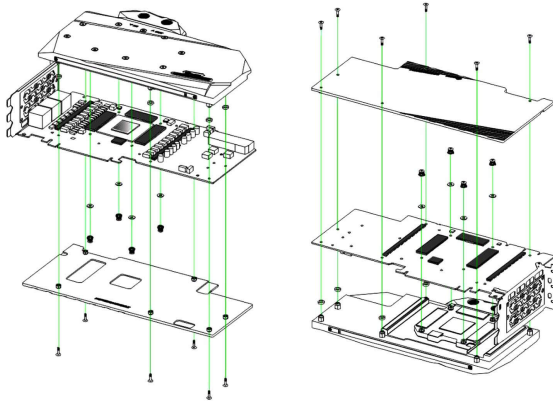
Clean up the original circuit and chip residue  
Cut the heat conducting strip into proper size

**After using silicone grease**



**Step1: Block mounting with back plate...**

As shown in the figure below, place [black gpu backplate] successively from the bottom to the top, align each screw hole position, then place insulation gasket on the four screw holes of the graphics card chip, screw in spring screws in turn in a diagonal way and tighten them, and then screw the remaining screw hole position with back plate screws.



## Short Description

The Bykski Full Coverage GPU Water Block and Backplate for EVGA RTX 3090/3080 FTW3 Ultra Gaming is a

work of art! This full coverage block directly cools the video cards core (GPU), graphics memory (RAM) as well as the voltage regulator modules (VRM). By directly cooling these components you can achieve great temperatures! Along with these temperatures comes the ability to reach higher overlocks or extend the overall lifespan of your card by running at below factory temps.

## Description

---

The Bykski Full Coverage GPU Water Block and Backplate for EVGA RTX 3090/3080 FTW3 Ultra Gaming is a work of art! This full coverage block directly cools the video cards core (GPU), graphics memory (RAM) as well as the voltage regulator modules (VRM). By directly cooling these components you can achieve great temperatures! Along with these temperatures comes the ability to reach higher overlocks or extend the overall lifespan of your card by running at below factory temps.

The block is constructed of high purity copper that is electroplated to prevent oxidation. A high flow design is used to allow multiple blocks to run in series. Top and bottom ports can be used to configure parallel or serial designs in multi block set ups.

## Features

---

### Features

- Finest Craftsmanship
- Designed to Fit Standard G1/4 Thread Fittings
- SLI/Crossfire Compliant

## Specifications

---

### Specifications

- Model: N-EV3090FTW3-X
- Brand: Bykski
- Backplate Material: Black Anodized Aluminum (not in contact with coolant)

### Compatibility

- *(Including but not limited to the following models)*
- EVGA RTX 3090 FTW3 ULTRA GAMING
- EVGA RTX 3080 FTW3 ULTRA GAMING
- Please check over the entire PCB picture after narrowing your selection to ensure compatibility. If you have any questions, please contact support for confirmation.
- *Compatibility based on these circuit board designs only*
- Fittings: G 1/4 Thread
- Stock Backplates: Due to mounting variances between cards, stock backplates not guaranteed to fit.

### Parts Included

- 1x Full Coverage GPU Water Block

- 1x Backplate
- 2x Stop Fitting
- 1x Mounting Hardware
- Thermal grease
- 1x 5v A-RGB (RBW) Light
- (Warning: Addressable RGB (RBW) is 5V and is ONLY compatible with Addressable RGB (RBW) components. RGB is 12V and is ONLY compatible with RGB components. Mix and match will NOT work and will cause damage.

Warnings

This is a repair or replace only item. Returns not accepted on compatibility issues or block has had water/fluid run through it.

Manufacturer reserves right to alter block design to expand compatibility. Delivered item may not 100% match pictured item. Product does NOT come with English instructions.

Not responsible for any damage caused by or when using this product. Please use at your own risk.

## Additional Information

Brand	Bykski
SKU	N-EV3090FTW3-X
Weight	3.0000
Color	Silver
Vga	EVGA GeForce RTX 3090 FTW3 24GB Ultra Gaming
Block GPU Type	Nvidia
Block Style	Nickel-Plexi
Special Price	\$143.99

