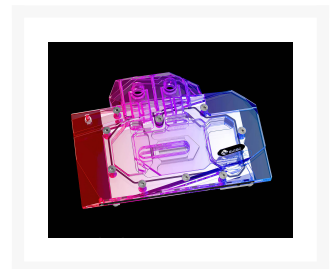
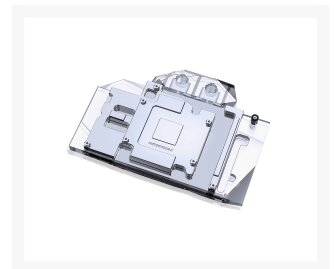
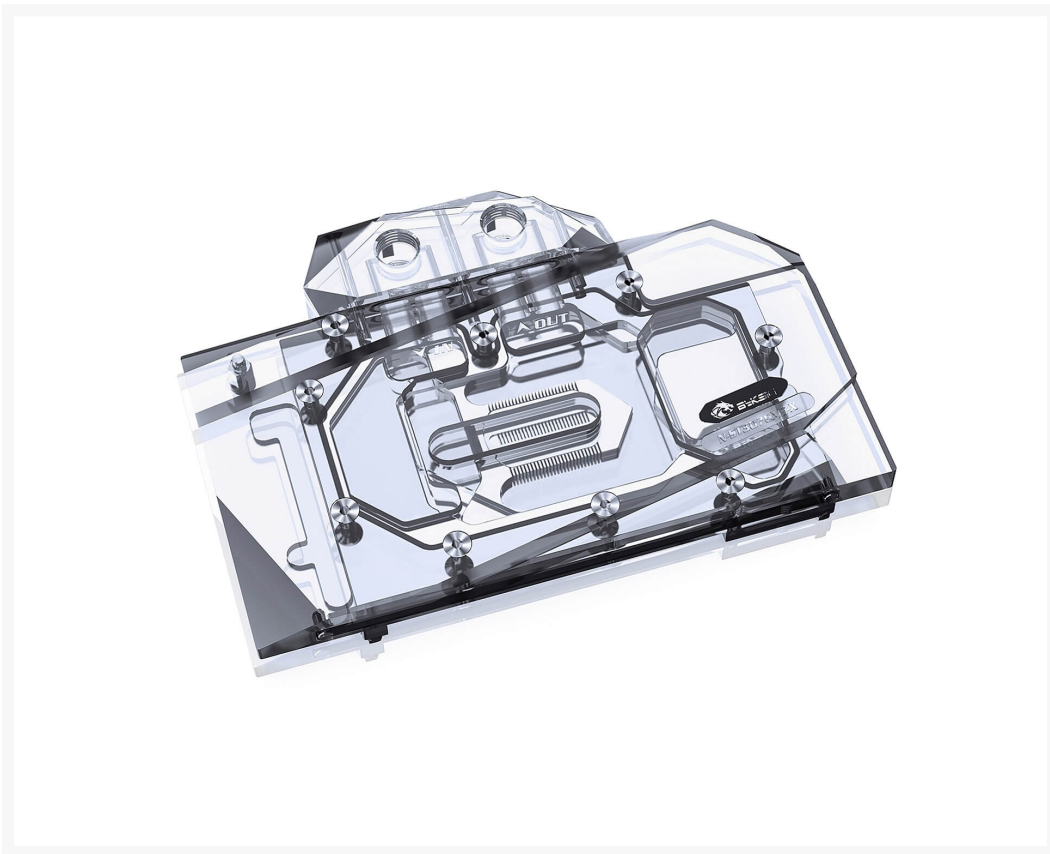




Bykski Full Coverage GPU Water Block and Backplate for Zotac RTX 3070

Special Price
\$143.99 was
\$179.99

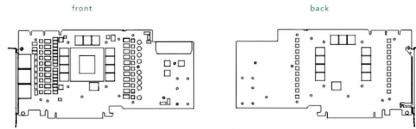
Product Images





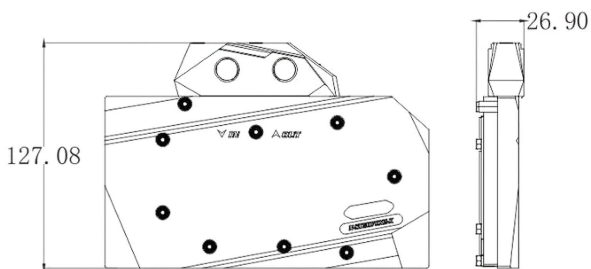
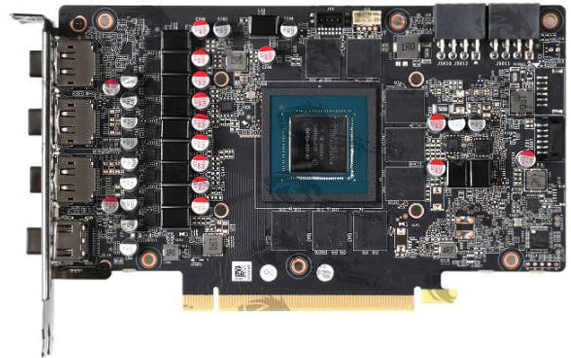
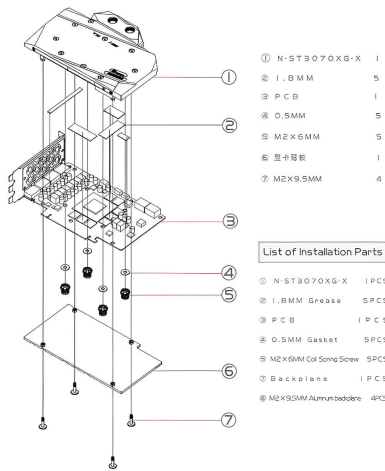
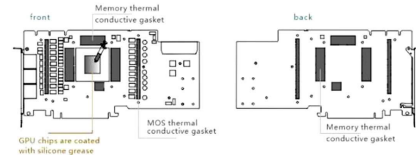
The first step : Remove the original radiator.Wipe the silicone grease on the GPU chip and the original heat conducting pad on the electronic components,First check whether the position and number of screws on the block are consistent with the screw holes on the GPU,if it is completely corresponding,apply or paste the heat-conducting silicone grease and heat-conducting paste provided by the block in the corresponding position.

Before using silicone grease



Clean up the original circuit and chip residue
Cut the heat conducting strip into proper size

After using silicone grease



Short Description

The Bykski Full Coverage GPU Water Block and Backplate for Zotac RTX 3070 is a work of art! This full

coverage block directly cools the video cards core (GPU), graphics memory (RAM) as well as the voltage regulator modules (VRM). By directly cooling these components you can achieve great temperatures! Along with these temperatures comes the ability to reach higher overlocks or extend the overall lifespan of your card by running at below factory temps.

Description

The Bykski Full Coverage GPU Water Block and Backplate for Zotac RTX 3070 is a work of art! This full coverage block directly cools the video cards core (GPU), graphics memory (RAM) as well as the voltage regulator modules (VRM). By directly cooling these components you can achieve great temperatures! Along with these temperatures comes the ability to reach higher overlocks or extend the overall lifespan of your card by running at below factory temps.

The block is constructed of high purity copper that is electroplated to prevent oxidation. A high flow design is used to allow multiple blocks to run in series. Top and bottom ports can be used to configure parallel or serial designs in multi block set ups.

The matching backplate is optional.

Features

Features

- Finest Craftsmanship
- Designed to Fit Standard G1/4 Thread Fittings
- SLI/Crossfire Compliant

Specifications

Specifications

- Model: N-ST3070XG-X
- Brand: Bykski
- Block Material: Electroplated High Purity Copper / Clear PMMA
- Backplate Material: Black Anodized Aluminum (Not in contact with coolant)

Compatibility

- *(Including but not limited to the following models)*
- Zotac GeForce RTX 3070 X-GAMING OC 8G
- Zotac GeForce RTX 3070 Twin Edge OC
- Please check over the entire PCB picture after narrowing your selection to ensure compatibility. If you have any questions, please contact support for confirmation.
- *Compatibility based on Zotac RTX 3070 X-GAMING PCB design only.*
- Fittings: G 1/4in. Thread
- Stock Backplates: Due to mounting variances between cards, stock backplates not guaranteed to fit.

Parts Included

- 1x Full Coverage GPU Water Block
- 1x Backplate
- 2x Stop Fitting
- 1x Mounting Hardware
- Thermal grease

Warnings

This is a repair or replace only item. Returns not accepted on compatibility issues or block has had water/fluid run through it.

Manufacturer reserves right to alter block design to expand compatibility. Delivered item may not 100% match pictured item. Product does NOT come with English instructions.

Not responsible for any damage caused by or when using this product. Please use at your own risk.

Additional Information

Brand	Bykski
SKU	N-ST3070XG-X
Weight	3.0000
Color	Silver
Vga	Zotac RTX 3070
Block GPU Type	Nvidia
Block Style	Nickel-Plexi
Special Price	\$143.99

