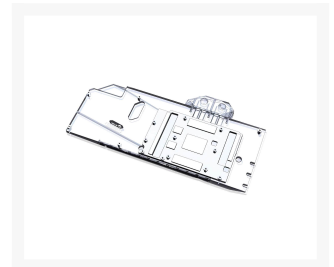


Bykski Full Coverage GPU Water Block and Backplate for Asrock RX 6800/6900 XT

Special Price
\$144.95 was
\$199.99

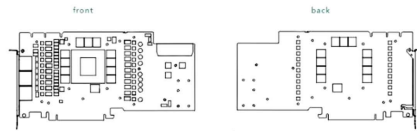
Product Images





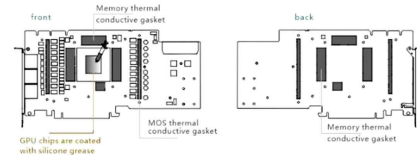
The first step : Remove the original radiator,Wipe the silicone grease on the GPU chip and the original heat conducting pad on the electronic components,First check whether the position and number of screws on the block are consistent with the screw holes on the GPU,if it is completely corresponding,apply or paste the heat-conducting silicone grease and heat-conducting paste provided by the block in the corresponding position.

Before using silicone grease



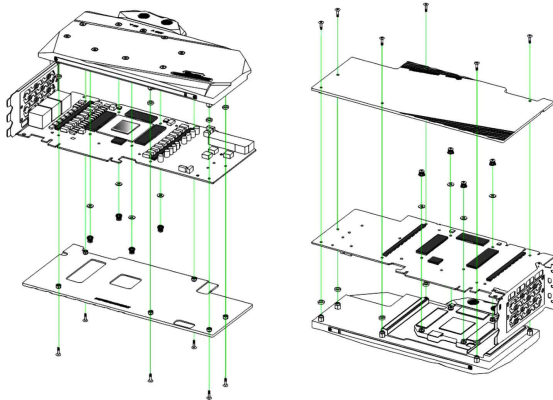
Clean up the original circuit and chip residue
Cut the heat conducting strip into proper size

After using silicone grease



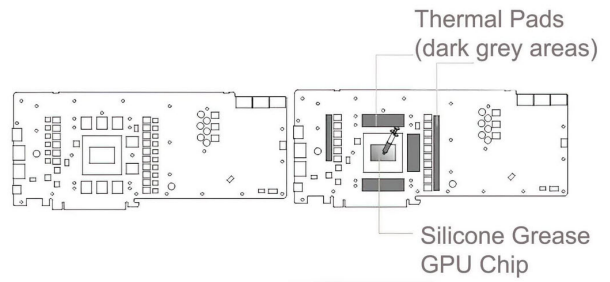
Step1: Block mounting with back plate...

As shown in the figure below, place [black gnu backplate] successively from the bottom to the top, align each screw hole position, then place insulation gasket on the four screw holes of the graphics card chip, screw in spring screws in turn in a diagonal way and tighten them, and then screw the remaining screw hole position with back plate screws.



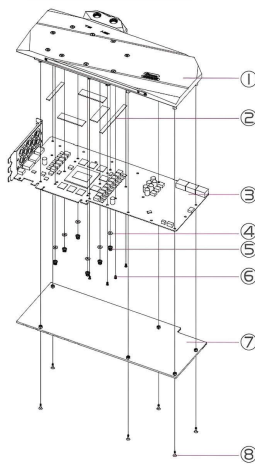
Before

After



Thermal Pads (dark grey areas)

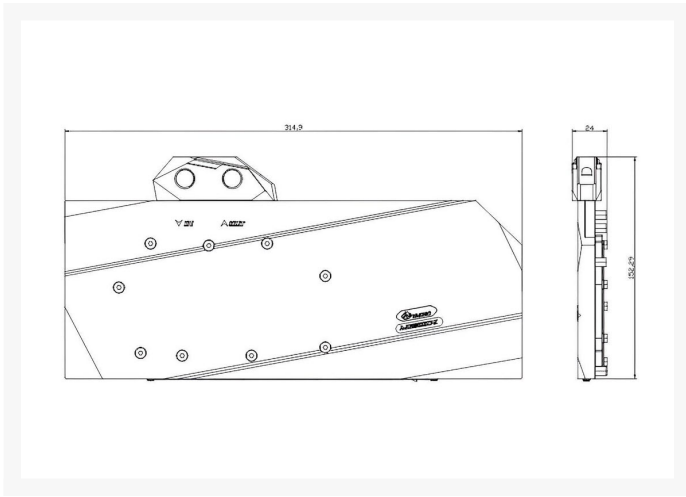
Silicone Grease GPU Chip



List of Installation Parts

- ① A-ARG900XT-X 1PCS
- ② 1.8MM Grease 5PCS
- ③ PCB 1PCS
- ④ 0.5MM Gasket 6PCS
- ⑤ Col Spring Screw 6PCS
- ⑥ M2X5MM Gnu screw 3pcs
- ⑦ Backplate 1PCS
- ⑧ Aluminum backplate 6PCS





Short Description

This full coverage block directly cools the video cards core (GPU), graphics memory (RAM), and voltage regulator modules (VRM). By directly cooling these components you can achieve great temperatures along with the ability to reach higher overlocks or extend the overall lifespan of your card by running at below factory temps.

Description

This full coverage block directly cools the video cards core (GPU), graphics memory (RAM), and voltage regulator modules (VRM). By directly cooling these components you can achieve great temperatures along with the ability to reach higher overlocks or extend the overall lifespan of your card by running at below factory temps.

The block is constructed of high purity copper that is electroplated to prevent oxidation. A high flow design is used to allow multiple blocks to run in series. Top and bottom ports can be used to configure parallel or serial designs in multi block set ups.

Features

Features

- Finest Craftsmanship
- Designed to Fit Standard G1/4 Thread Fittings
- SLI/Crossfire Compliant

Specifications

Specifications

- Block Material: Electroplated High Purity Copper / Clear Acrylic
- Backplate Material: Black Anodized Aluminum (not in contact with coolant)

Compatibility

- *(Including but not limited to the following models)*
- Asrock RX6900XT Phantom Gaming D 16G OC
- Asrock RX6900XT Taichi X 16G OC
- Asrock RX6800XT Phantom Gaming D 16G OC
- Asrock RX6800XT Taichi X 16G OC
- Please check over the entire PCB picture after narrowing your selection to ensure compatibility. If you have any questions, please contact support for confirmation.
- *Compatibility based on these circuit board designs only*
- Fittings: G 1/4in. Thread

Parts Included

- 1x Full Coverage GPU Water Block
- 1x Backplate
- 2x Stop Fitting
- 1x Mounting Hardware
- Thermal grease
- 1x 5v A-RGB (RBW) Light
- (Warning: Addressable RGB (RBW) is 5V and is ONLY compatible with Addressable RGB (RBW) components. RGB is 12V and is ONLY compatible with RGB components. Mix and match will NOT work and will cause damage.

Warnings

This is a repair or replace only item. Returns not accepted on compatibility issues or if block has had water/fluid run through it.

Manufacturer reserves right to alter block design to expand compatibility. Delivered item may not 100% match pictured item. Product does NOT come with English instructions. Please see product gallery images for install guide if available. Generally, thermal pads should be installed on the card where the block has corresponding raised contact points with the exception of the GPU core, which uses thermal paste. For -TC SKU blocks with active backplates, the VRAM on the back of the card should be padded. Installing pads on other components can lead to improper contact and poor performance.

Not responsible for any damage caused by or when using this product. Please use at your own risk.

Additional Information

Brand	Bykski
SKU	A-AR6900XT-X
Weight	3.0000
Color	Silver
Vga	Asrock RX 6800/6900 XT
Block GPU Type	Nvidia
Block Style	Nickel-Plexi
Special Price	\$144.95

