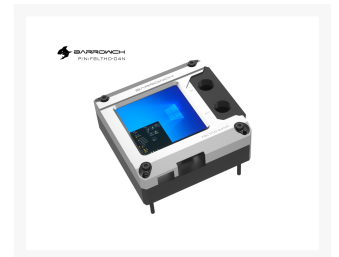




Barrowch HDMI Display CPU Water Block for INTEL Platform - Silvery

Special Price
\$129.99 was
\$149.99

Product Images



Short Description

Barrowch HDMI Display CPU Water Block for INTEL Platform is a neat cpu block with a built in HDMI 2.9-inch display! which is great for use with just about any temperature monitoring software.

Description

Barrowch HDMI Display CPU Water Block for INTEL Platform is a neat cpu block with a built in HDMI 2.9-inch display! which is great for use with just about any temperature monitoring software.

FBLTHD-04N

Barrowch HDMI Display CPU Water Block of INTEL Platform



FBLTHD-04N
Create originality optimization and upgrading, Unique new experience



Micro water passage



TFT display screen



Unique appearance



Copper-nickel plated mount

◇ Products information

Mode: FBLTHD-04N	Color: Black/Silvery
Quantity: 1Set	Thread: G1/4"
Resolution: 1440*1440px	Dimensions: Please refer to the dimension drawing
Application: Suitable for desktop computer CPU core cooling.	
Note: In case of product appearance structure upgrade,without further notice,in kind prevail	

Small Water Block with big surprise

Being equipped with the new generation of 2.9-inch full-color and high-definition LCD screen, and standard HDMI video interface allows it to have the function of displaying the entire content of the computer video, which will help to create a personalized water cooling scheme with controllable ARGB light.



Multi-replaceable AIDA64 monitoring interfaces

The high-quality HD display can adapt to the AIDA64 software, the official will continue to release various interfaces on the basis of AIDA64 system monitoring software for replacement.



HD Resolution

1440 * 1440 resolution, 2.9-inch and full-view LCD screen, 1100:1 ultra-high contrast, 60Hz refresh rate.



Product parameters

Screen type: LCD module	Accessories: Screw Pack *1
Size: 2.9 inch	HDMI video cable *1
Resolution: 1440*1440px	USB power cable *1
Refresh rate: 60Hz	Lighting power supply cable *1
Interface type: HDMI video connection	
Micro USB power supply interface	

Universal input interface of HDMI video

Adopt the standard HDMI as the video input interface, and it will be more convenient to have video access, and the length of cable will be shorter (1.5CM).



USB power supply with 5V low voltage

Adopt the standard Micro USB as the power supply interface, and the 5V low voltage is safer, it is available to the hot swap.



CNC process

The panel is shaped by CNC integral processing, and the surface is treated with anodic technology to improve the texture.

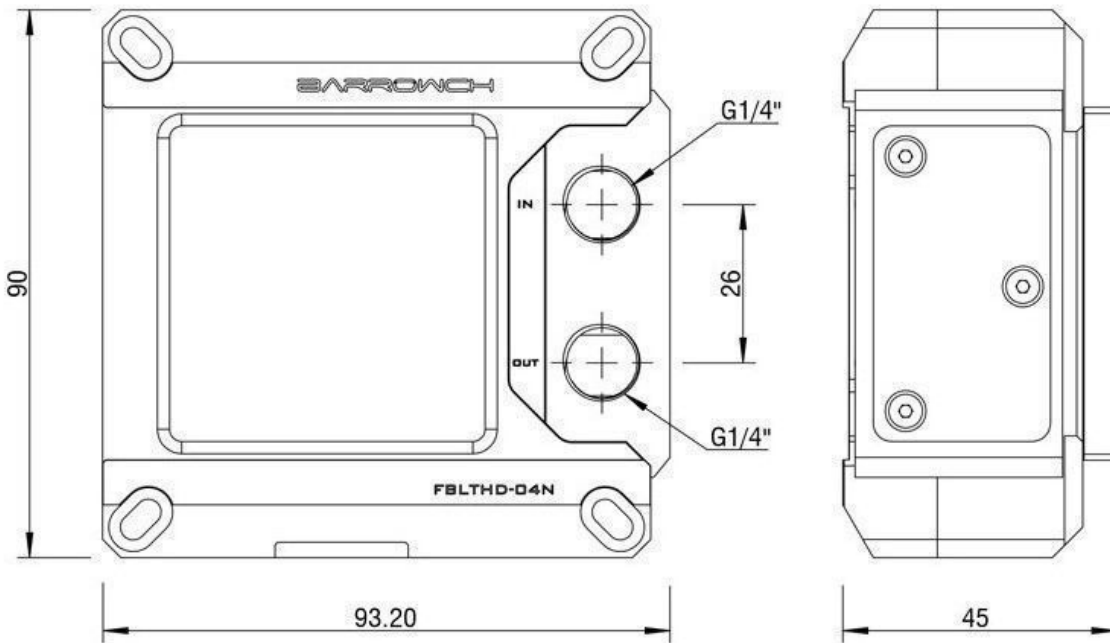
Colorful lighting

Carry BARROW LRC 2.0 lighting system, it can realize synchronous and asynchronous control, it shows the gorgeous colors, and is compatible with IV programmable lighting interfaces of some motherboard.



Appearance size

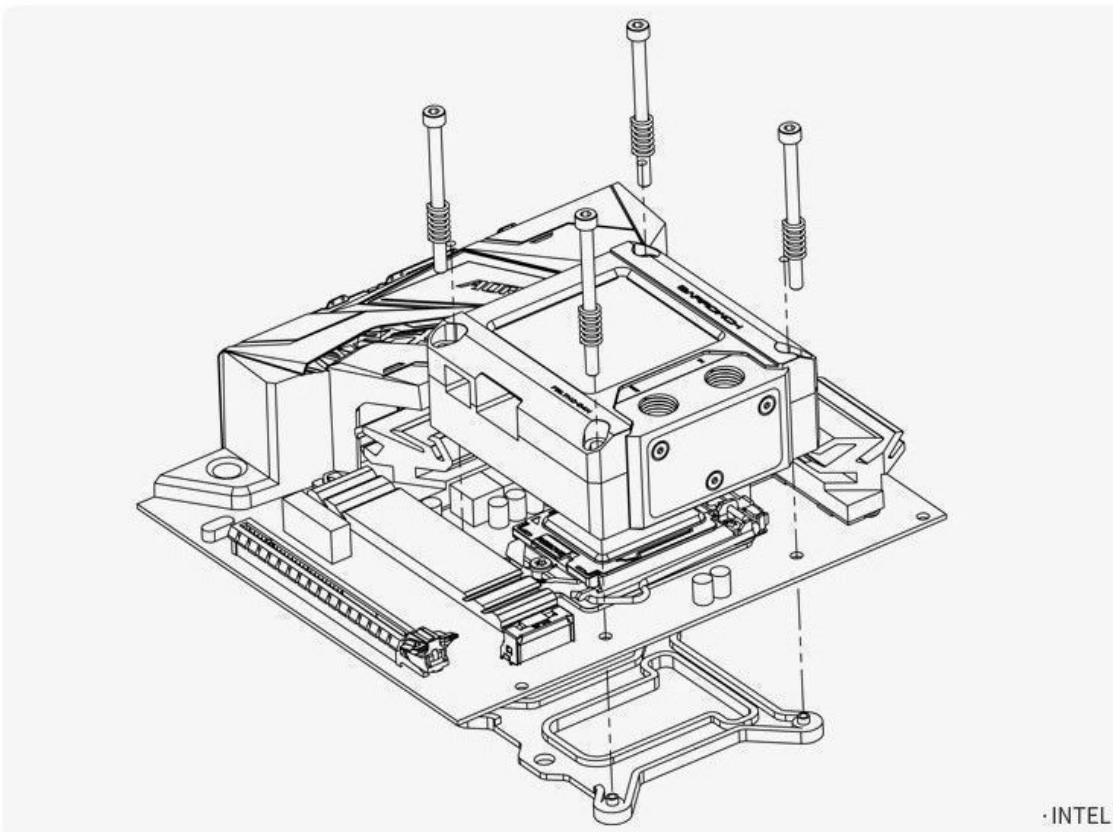
外观尺寸



DIMENSION IN MM

Install tutorial

安装示例



· INTEL

Additional Information

Brand	Barrowch
SKU	FBLTHD-04N-POM-SL-D
Weight	1.2000
Color	Silver
CPU Series	Intel 115X/2011/2011-3/2066
Block CPU Type	Intel
Block Style	Acetal/POM
Vendor SKU/EAN	6937826664236
Special Price	\$129.99

