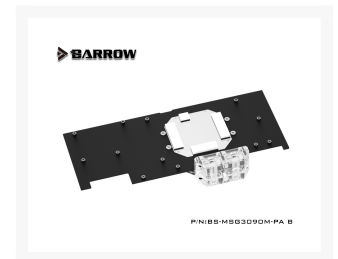




BARROW Barrow LRC2.0 Active Backplate for MSI RTX 3090 TRIO Aurora

Special Price
\$49.96 was
\$89.95

Product Images

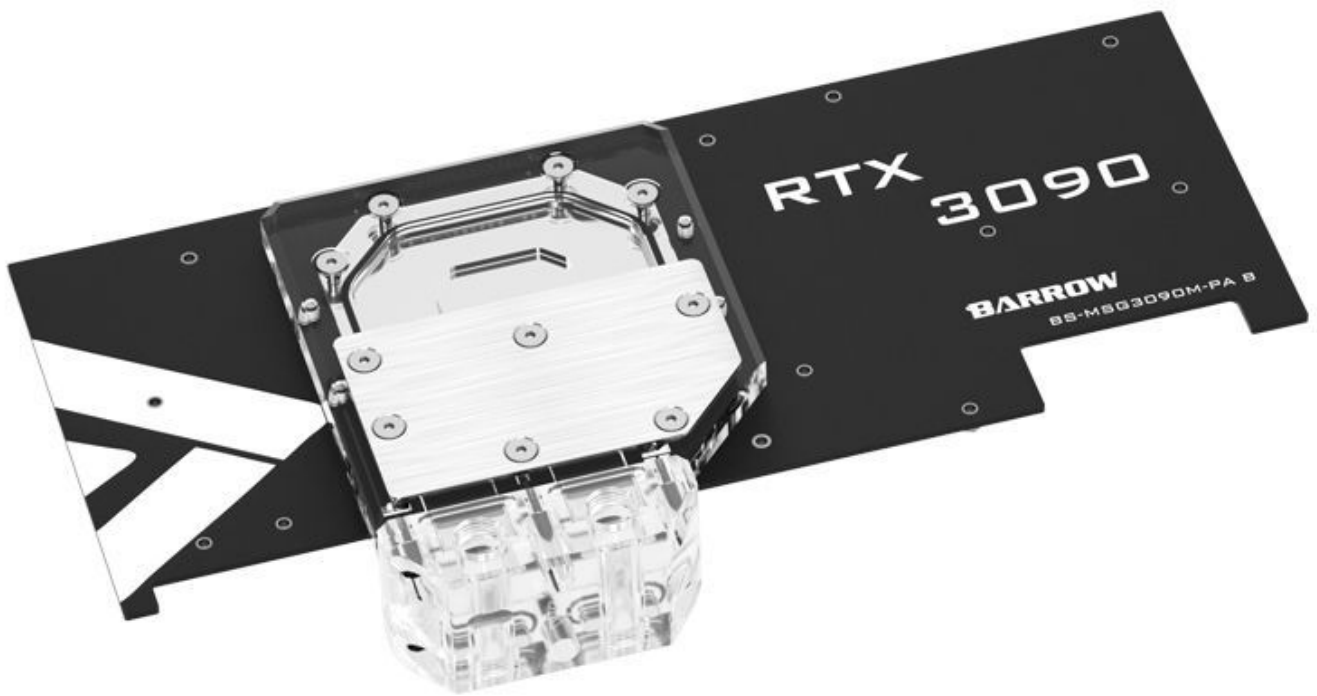


Short Description

Barrow LRC2.0 Active Backplate for MSI RTX 3090 TRIO Aurora

Lightweight design avoiding overload

Reduced the unnecessary coverage area and the weight of the water block, the water-cooled backboard covers the high calorific area including the RAM on its back, alleviating the heavy load on the GPU.



GPU water-cooled backboard is an optional sales accessories which functions with the water block.

Back RAM Water Block

Designed for 30 series GPU, it effectively overcomes the high temperature of GDDR6X memory on the back of the GPU and other issues. By water circulation cooling method, it effectively reduce the working temperature of RAM.



GPU water-cooled backboard is an optional sales accessories which functions with the water block.

Features

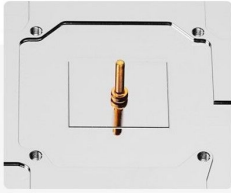
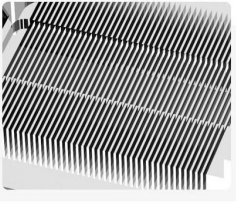


Original imported high-transparency acrylic board

High-temperature-resistant and high-transparency imported acrylic raw materials have higher transparency, longer life, no color change, no cracking, and emitting full of internal brilliant lighting effects.

High-density jet microchannel

The enlarged area of water passage has as many as 43 micro-channels, each with bottom-clearing slots and 5+3 (0.5MM groove width + 0.3MM interval) asymmetric water channels. The contact area between the water-cooling liquid and the soleplate is increased, as well as the heat dissipation efficiency of the cold head is enhanced.



Copper-nickel plated mount

As the main material of the soleplate, copper with thermal conductivity which is less than silver, has high heat absorption and heat transfer efficiency. The surface adopts the mirror nickel plating process, which can effectively prevent the soleplate from oxidation and increase the service life.

Appearance patent bridgehead

Patent No.: 2016304260188
Unique appearance design, plus translucent logo makes the lighting effect more gorgeous.



Lighting effects show

Version 2.0 lamp belts and lamp beads can produce asynchronous static and dynamic lighting effects, that is, each lamp bead can independently change color in the same period. The built-in removable RGB light components can replace the light components according to the actual needs.



Control system 2.0

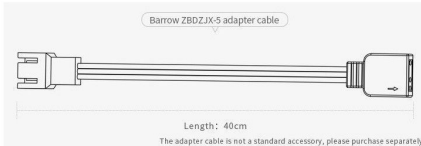
LRC full-color RGB lighting control system 2.0 includes BARROW's version 2.0 manual controller and 16 channel remote-controller. It can be compatible with the RGB lighting components and other independent products as well as built-in lighting components of all BARROW's 2.0 versions.



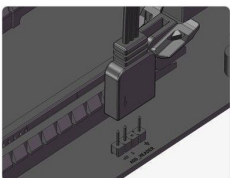
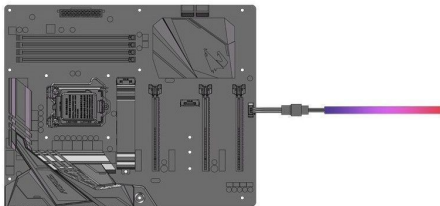
Compatible motherboard programmable

ARGB light interface

Motherboard with 5V programmable ARGB pin can be connected via adapter ZBDZJX-5



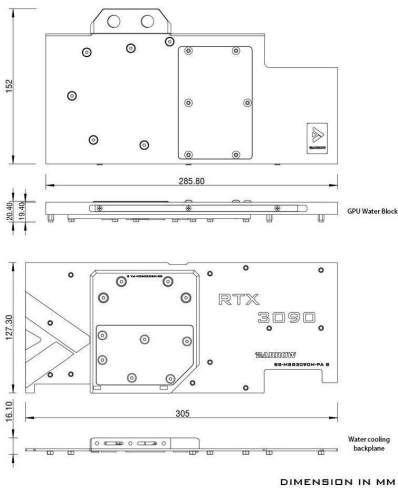
The adapter cable is not a standard accessory, please purchase separately



The 5V ARGB adapter cable should be connected to the corresponding motherboard interface in the corresponding direction

The ZBDZJX-5 adapter cable can only be connected to the motherboard 5V 3-pin ARGB lighting interface

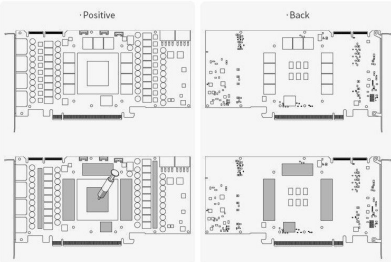
Appearance size



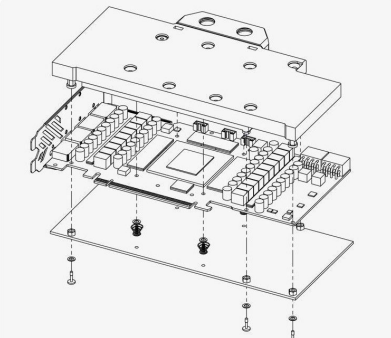
Graphics card water block installation introduction

The installation examples are general instructions, and the installation methods of different graphics cards are slightly different. Please refer to the installation according to the actual situation.

Step1: Remove the original radiator and smear silicone grease or adhesive silicone pad
Clean up the residual silicone grease and silicone grease pad, smear new heat conductive grease and silicone grease pad again



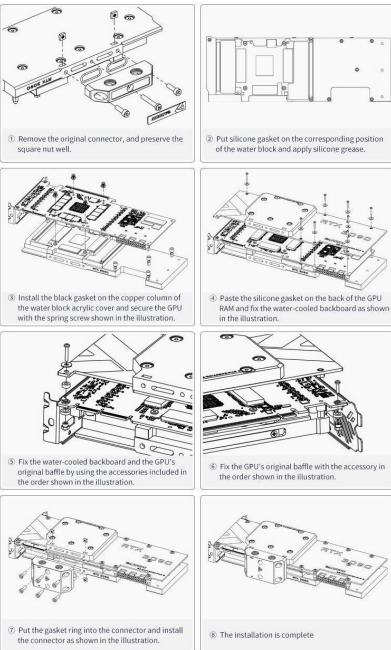
Step2: Place one side of the graphics card bottom board upwards, and place the white ABS pad on the copper column. Fix and install the graphics card and cold head screw hole to its rear locking screw.



Note: If you find that the cold head does not fit the graphics card perfectly, installation shall be carried out after troubleshooting to avoid irreparable damage to the graphics card

Installation method for water-cooled backboard

The installation examples are general instructions, and the installation methods of different graphics cards are slightly different. Please refer to the installation according to the actual situation.



GPU water-cooled backboard is an optional sales accessories which functions with the water block.

Additional Information

Brand	Barrow
SKU	BS-MSG3090M-PA-B
Weight	1.5000
Vga	MSI RTX 3090 Gaming Trio
Block GPU Type	Nvidia
Block Style	Copper-Plexi
Vendor SKU/EAN	6937826615344
Special Price	\$49.96

