

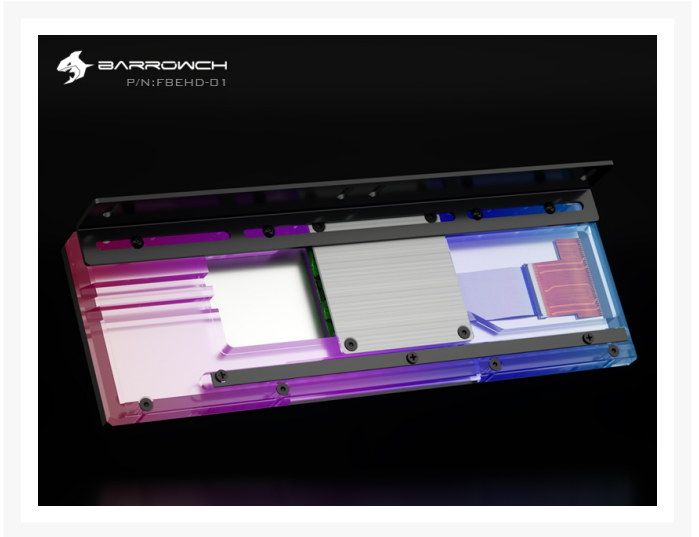


BARROWCH Barrowch external expansion display screen-Black

\$109.99

Product Images





Short Description

Barrowch external expansion display screen

Description

FBEHD-01

Barrowch External expansion display screen



FBEHD-01

Create originality optimization and upgrading, Unique new experience



Aluminum alloy front panel



Multiple replaceable interfaces



Colorful lights



Easy to install

◆ Products information

Mode: FBEHD-01	Color: Black/Silvery
Quantity: 1Set	Resolution: 1920*480px
Screen type: TFT	Dimensions: Please refer to the dimension drawing
Application: It is suitable for observing the real-time status of PC hardware.	
Note: In case of product appearance structure upgrade,without further notice,in kind prevail	

Built-in and external can be independent secondary display module

A built-in secondary module with 8.8" display and 10.1" screen can be used to display secondary data.



Widescreen high resolution

2025 HD resolution, 8.8" x 1.8" viewing angle, 2025 HD resolution, 2025 HD resolution.



Product parameters

Screen Type: 10.1" High Definition Screen	Screen Frame: 7.5"
Screen Size: 8.8"	Screen Resolution: 1920x1080
Resolution: 1920x1080	Screen Power: 10W
Screen Type: 8.8"	Screen Resolution: 1920x1080
Screen Power: 10W	Screen Power: 10W

Multiple replaceable ADAS monitoring interfaces

Effective with multiple ADAS monitoring interfaces, the ADAS system can monitor the performance of the vehicle and provide real-time data to the driver to ensure the safety of the vehicle.



Mobile phone bracket groove reserved

The mobile phone bracket groove is reserved for the mobile phone bracket, which can be used to hold the mobile phone in place and provide a convenient way to use the mobile phone while driving.



5V low voltage USB power supply

Being low-voltage USB power supply, the USB port can be used to charge the mobile phone.



Universal Mini HDMI video input interface

The universal Mini HDMI video input interface can be used to connect the car stereo to a Mini HDMI video source.



The rear shell has a lateral slot for the universal Mini HDMI video input interface. The slot is designed to fit the Mini HDMI video input interface perfectly. The slot is also designed to be easy to use and install.



Bracket equipped according to demand

According to the demand, the bracket can be equipped with different types of brackets.



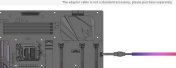
Built-in RGB lighting effect

The built-in RGB lighting effect can be used to create a variety of lighting effects.



Aluminum alloy front panel

The aluminum alloy front panel is made of high-quality aluminum alloy.



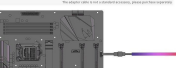
Control system 2.0

The control system 2.0 is a new control system that can be used to control the car stereo.



Compatible motherboard programmable

The compatible motherboard programmable can be used to program the car stereo.

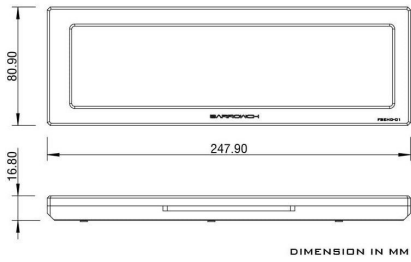


Compatible motherboard programmable

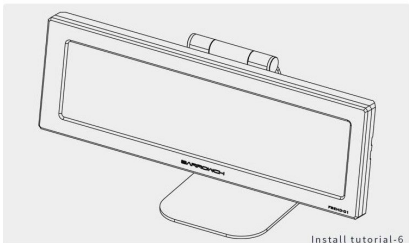
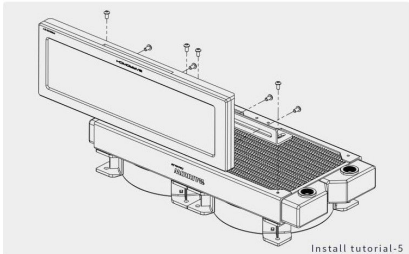
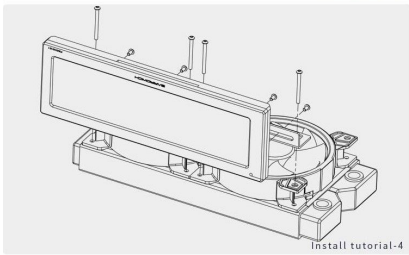
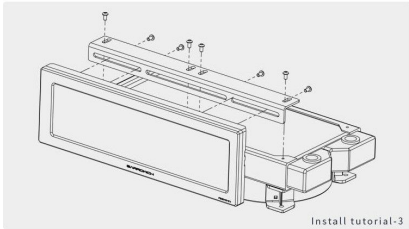
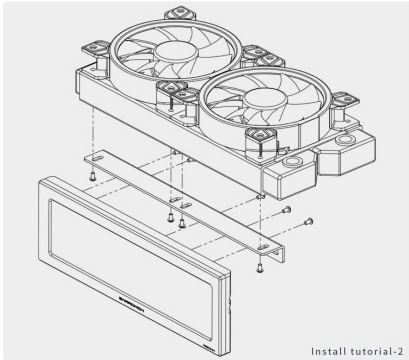
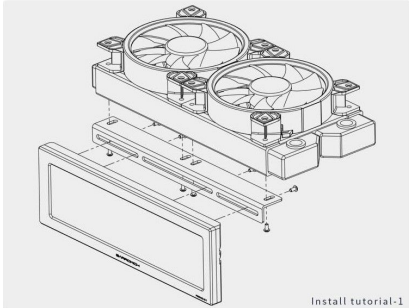
The compatible motherboard programmable can be used to program the car stereo.



Appearance size



Install tutorial



Additional Information

Brand	Barrow
SKU	FBEHD-01-BK
Weight	1.5000
Color	Black
Msc Watercool	Display Monitor
Vendor SKU/EAN	6937826664106

