

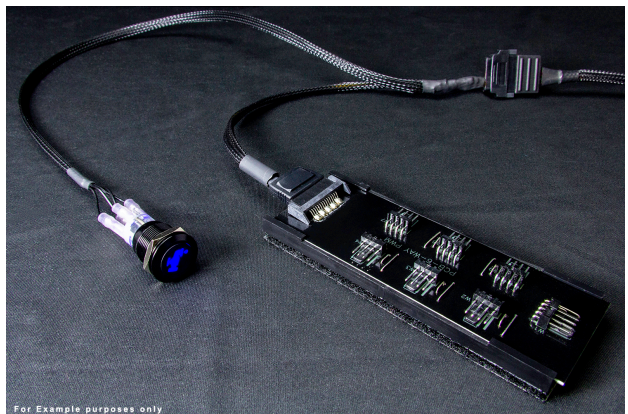
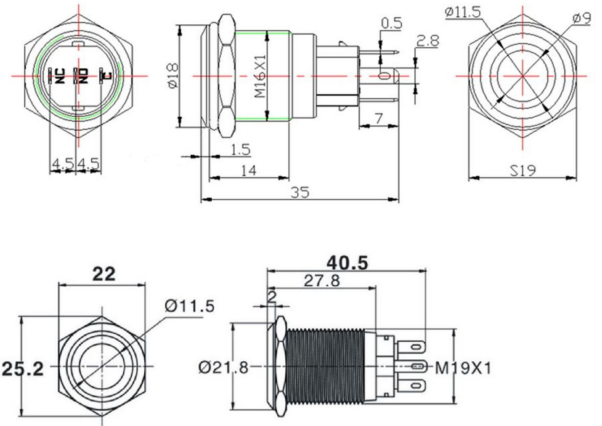


ae 19mm latching switch with 12v Fan logo LED

As low as
\$9.95

Product Images







Short Description

Looking to enhance your build? What about adding the ability to control specific parts with a push of a button? Well then does PPCS have the part for you!! With their custom illuminated logo's and the choice between getting a Sata or Molex switch harness these vandal switches are the perfect addition for any modder looking to have more control over the parts in their build.

Description

Looking to enhance your build? What about adding the ability to control specific parts with a push of a button? Well then does PPCS have the part for you!! These latching vandal switches are made with a Black shell and contain a 12v led inside. With their custom illuminated logo's and the choice between getting a Sata or Molex switch harness these vandal switches are the perfect addition for any modder looking to have more control over the parts in their build.

Please Note: These switches are only meant to be used with 12v products.

Specifications

Specification:

Mounting Hole Diameter: 19mm

Material: Alumina

Switch Combination: 1NO

Switch Function: Latching

Additional Information

| | |
|-----------------|--------------------|
| Brand | AE |
| SKU | AE-19MM-SWITCH-FAN |
| Weight | 0.1000 |
| Color | Black |
| Lighting Type | LED Bulb |
| Light Accy Type | Hardware |

Product Options

| | |
|------------|-------|
| LED Color: | Blue |
| | Green |
| | Red |
| | White |

