

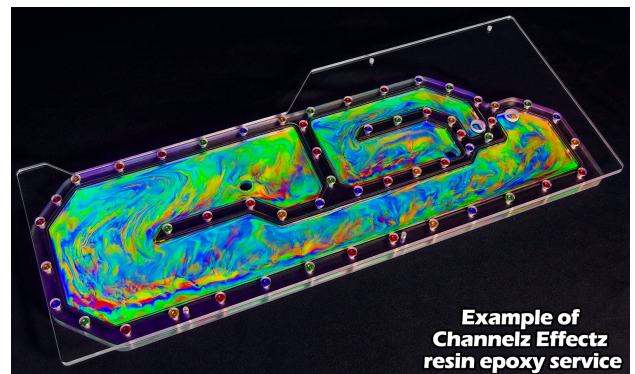
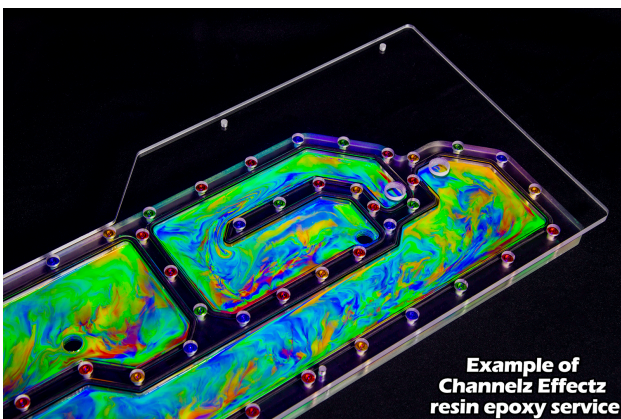
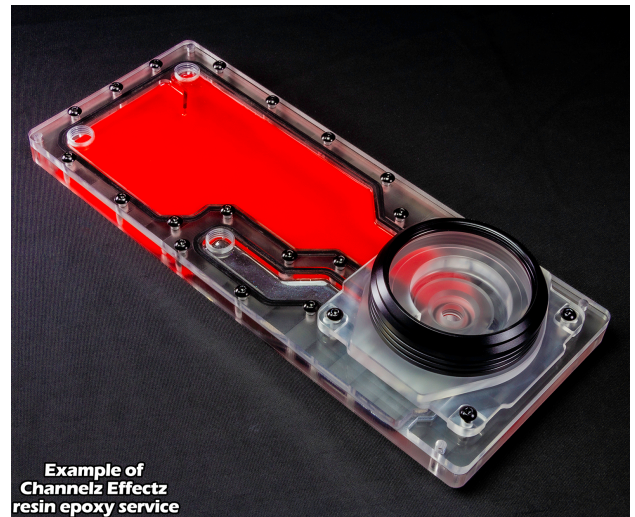
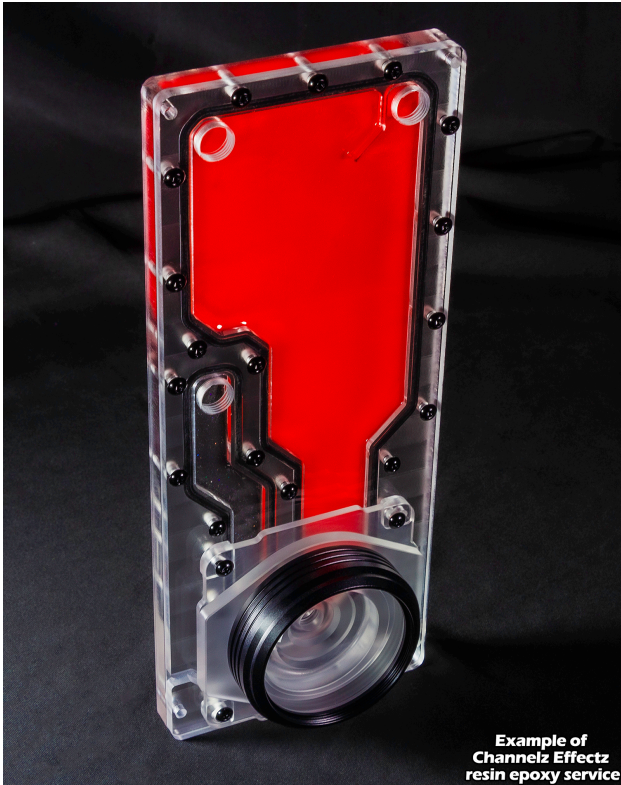
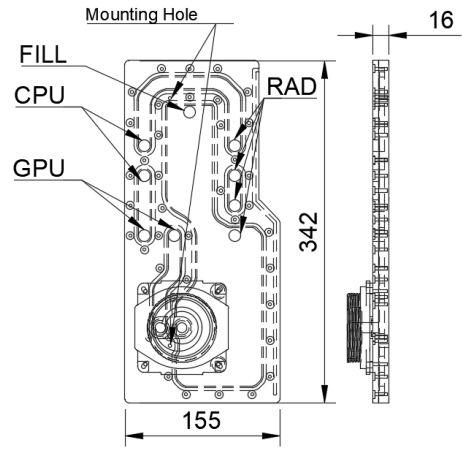


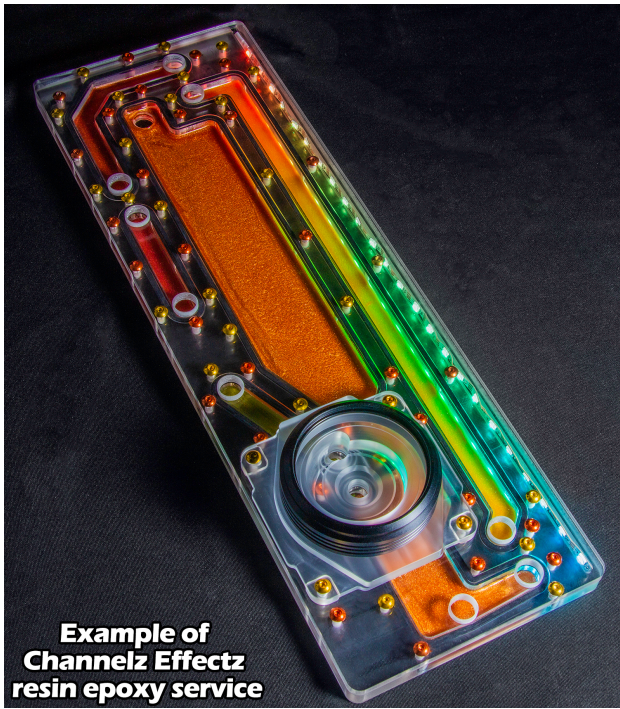
# Channelz™ Fractal Torrent Side Distribution Plate

\$279.95

## Product Images







Example of Channelz Effectz resin epoxy service

## Short Description

---

Channelz™ Designed and manufactured in the USA by Performance PCs.



This distroplate pump res combo is specifically designed to fit into the Fractal Torrent case to the side of the motherboard. Featuring 9 Ports total, designed to be used with 1 or 2 radiators and integrated D-RGB for stunning lighting effects. This distro plate is also compatible with standard D5 or DDC pumps.

## Description

---

Designed and manufactured in the USA by Performance PCs.



This distroplate pump res combo is specifically designed to fit into the Fractal Torrent case to the side of the motherboard. Featuring 9 Ports total, designed to be used with 1 or 2 radiators and integrated D-RGB for stunning lighting effects. This distro plate is also compatible with standard D5 or DDC pumps. Intended to be used with 2 x 360 radiators maximum with a width of 30mm. Mounting the front 360 to the front side of the case included radiator brackets and the fans on the inside. Bottom radiator mounted to the bottom mounts

## Channelz Effectz Service

Tired of all that colored Coolant clogging up your loop but don't want to stick with some boring old clear coolant? Well Performance-PCs has you taken care of with their new Channelz Effectz Service! This service is a great way to add some color to your Channelz distribution plate without clogging your loop with pastel or mica filled coolants. We use an epoxy resin mixture that is safe for your loop and will certainly help that build POP. There is 30 different super vivid color options to choose from and we even added the ability for you to mix colors to give your loop its own style.

## Features

---

Installation:

Remove the rear case panel. Screw included M4x8 CS screws from the backside through the slots in the case to the right of where the motherboard mounts into the threaded holes into the distroplate. There are 2 slots that line up and you can adjust your plate side to side.

## Specifications

---

Specifications:

Material: Clear Cast Acrylic.

Fasteners: Stainless Steel Silver.

Stand Offs: Brass.

Gaskets: Silicone Black.

O-rings: Silicone Black and Clear.

Stop Fittings: Brass Black Powder coat.

Ports: x9. Inlets: x4 Outlets: x4. Fill: x1  
LED Strip: DRGB 5V Addressable.  
Dimensions: Width: 155mm. Height 342mm.

Included Items:

Channelz Fractal Design torrent Distribution Plate: x1.  
DRGB LED Strip: x1.  
Stop Plug: x1  
Mounting Fasteners: M4 x 8mm: x2.

## Additional Information

---

Brand	PPCS
SKU	PPCS-DISTRO101
Weight	7.0000
Color	Clear
Reservoir Type	Distribution plate

