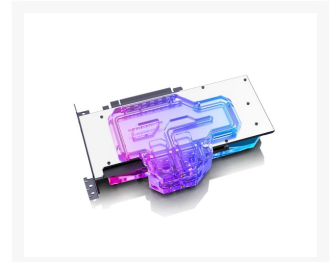


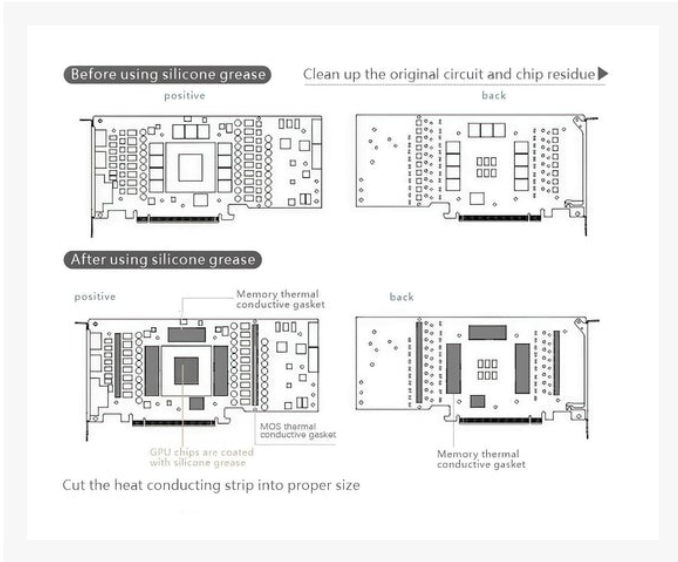
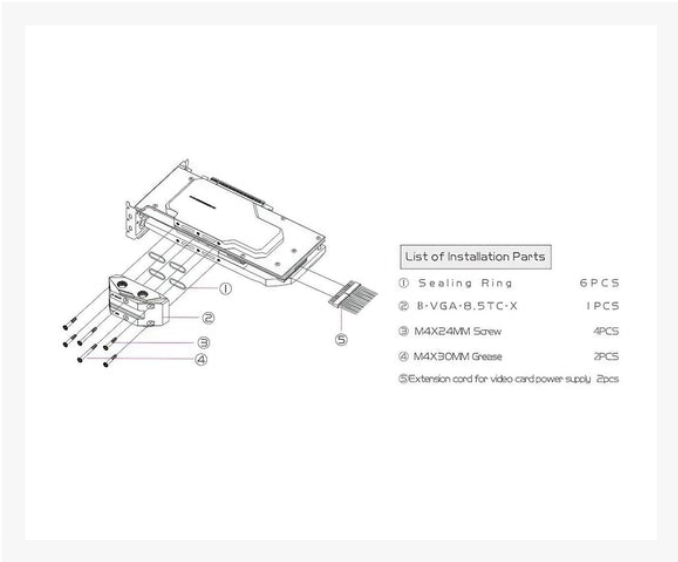
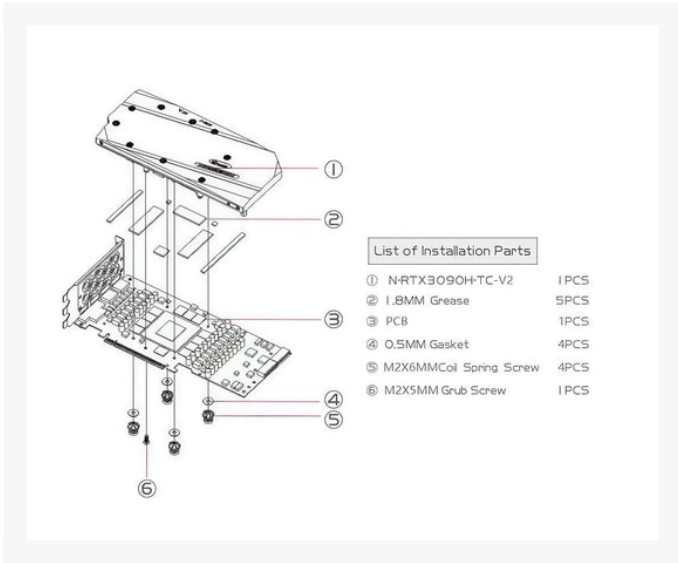
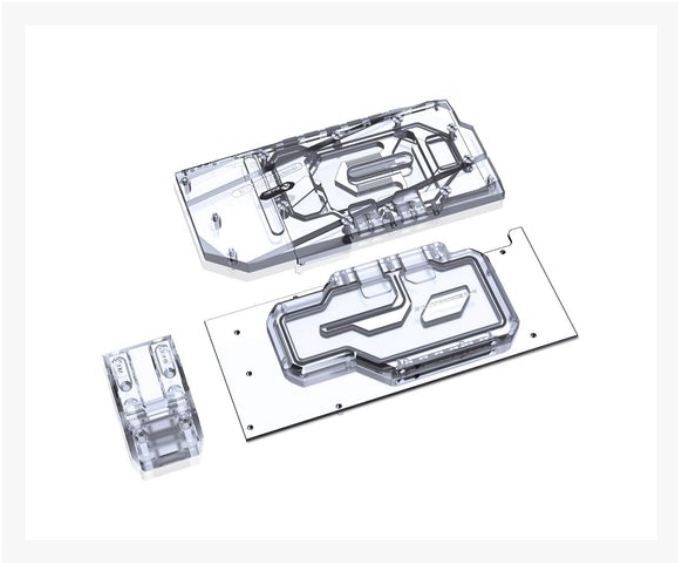
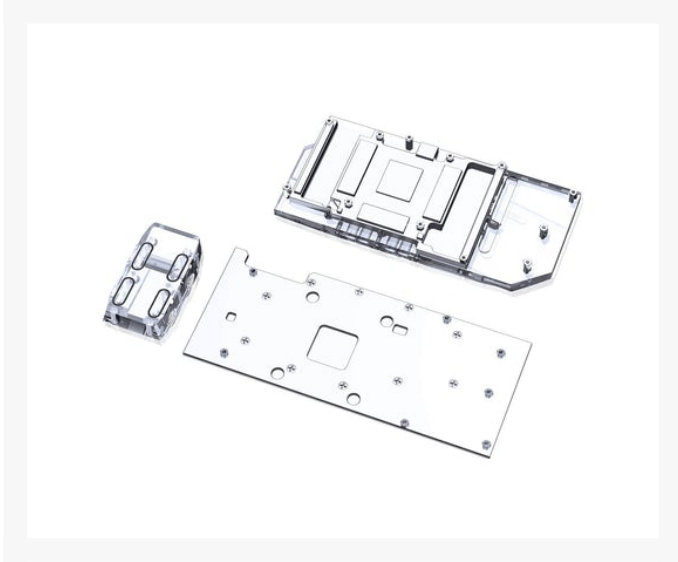
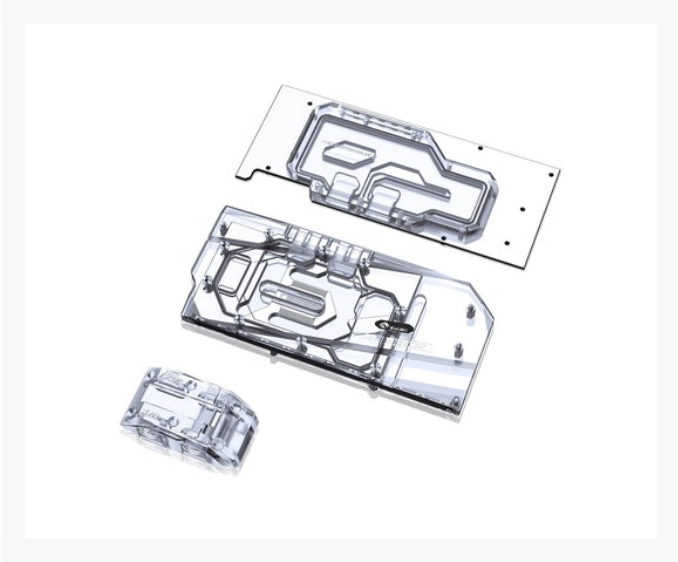


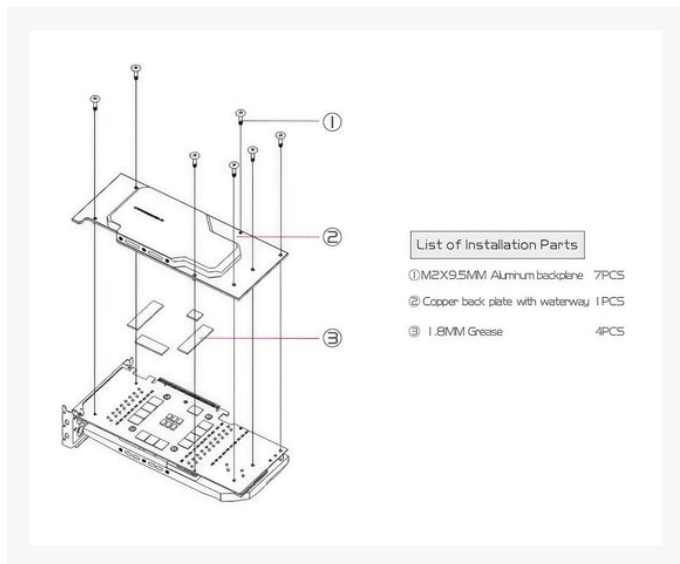
# Bykski Full Coverage GPU Water Block w/ Integrated Active Backplate for Gigabyte RTX 3090

Special Price  
**\$239.96** was  
~~\$299.95~~

## Product Images







## Short Description

---

This full coverage block directly cools the video cards core (GPU), graphics memory (RAM), and voltage regulator modules (VRM) on both sides of GPUs.

## Description

---

This full coverage block directly cools the video cards core (GPU), graphics memory (RAM), and voltage regulator modules (VRM) on both sides of GPUs. By directly cooling these components you can achieve great temperatures along with the ability to reach higher overlocks or extend the overall lifespan of your card by running at below factory temps.

The block and active backplate are constructed of high purity copper that is electroplated to prevent oxidation. A high flow design is used to allow multiple blocks to run in series. Access to top and bottom G1/4 ports is required on bridge block.

## Features

---

### Features

- Finest Craftsmanship
- Designed to Fit Standard G1/4 Thread Fittings
- SLI/Crossfire Compliant

# Specifications

---

## SPECIFICATIONS

- Block Material: Electroplated High Purity Copper / Clear Acrylic
- Active Backplate Material: Electroplated High Purity Copper / Clear Acrylic

## COMPATIBILITY

- *(Including but not limited to the following models)*
- Gigabyte RTX 3090 GAMING OC 24G
- Gigabyte RTX 3090 EAGLE OC 24G
- Gigabyte RTX 3090 VISION OC 24G
- Please check over the entire PCB picture after narrowing your selection to ensure compatibility. If you have any questions, please contact support for confirmation.
- *Compatibility based on these circuit board designs only*
- Fittings: G 1/4in. Thread

## PARTS INCLUDED

- 1x Full Coverage GPU Water Block
- 1x Active Backplate Block
- 2x Stop Fitting
- 1x Mounting Hardware
- Thermal grease
- 1x 5v A-RGB (RBW) Light
- (Warning: Addressable RGB (RBW) is 5V and is ONLY compatible with Addressable RGB (RBW) components. RGB is 12V and is ONLY compatible with RGB components. Mix and match will NOT work and will cause damage.

## WARNINGS

This is a repair or replace only item. Returns not accepted on compatibility issues or if block has had water/fluid run through it.

Manufacturer reserves right to alter block design to expand compatibility. Delivered item may not 100% match pictured item. Product does NOT come with English instructions. Please see product gallery images for install guide if available. Generally, thermal pads should be installed on the card where the block has corresponding raised contact points with the exception of the GPU core, which uses thermal paste. For -TC SKU blocks with active backplates, the VRAM on the back of the card should be padded. Installing pads on other components can lead to improper contact and poor performance.

Not responsible for any damage caused by or when using this product. Please use at your own risk.

## Additional Information

---

Brand	Bykski
SKU	N-GV3090GMOC-TC
Weight	3.0000
Color	Silver
Vga	Gigabyte RTX 3090 GAMING OC 24G
Block GPU Type	Nvidia
Block Style	Nickel-Plexi
Special Price	\$239.96

