

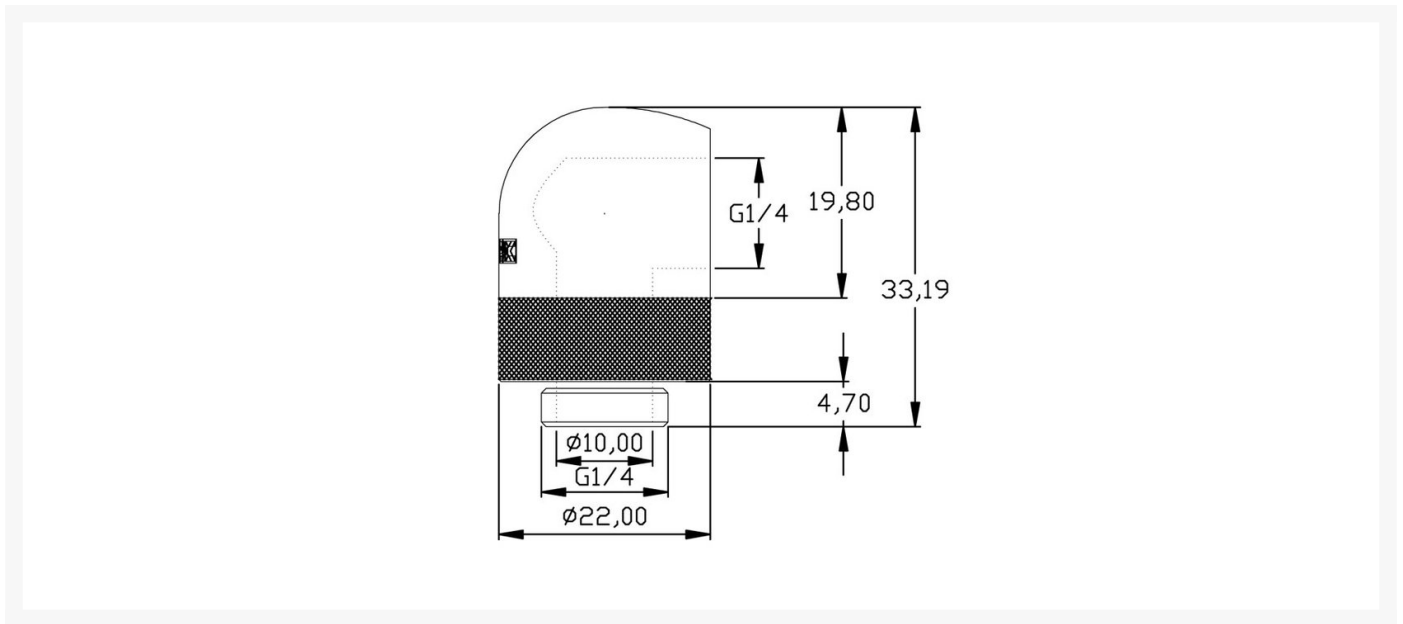


G1/4, 90 Degree Rotary Fitting V2 - Matte Black

\$7.49

Product Images





Short Description

The version 2, CNC machined XSPC 90 degree rotary fitting has an upgraded internal seal, tweaked design and improved quality.

Description

XSPC G1/4" 90 Degree Rotary Fitting V2 - Matte Black Finish

Features

- Material: Brass
- Angle: 90° Rotary
- Rotation: 360°
- Threads: 1x Male G1/4" / 1x Female G1/4"
- Finish: Matte Black (Electroplated)
- Installation Height: 28.5mm

Additional Information

Brand	XSPC
SKU	XSPC-G14-90-BK
Weight	0.1000
Special Order	No
Fitting Type	Adapter
Fitting Angle	90 Degree
Fitting Finish	Matte Black
Vendor SKU/EAN	5060596651197

