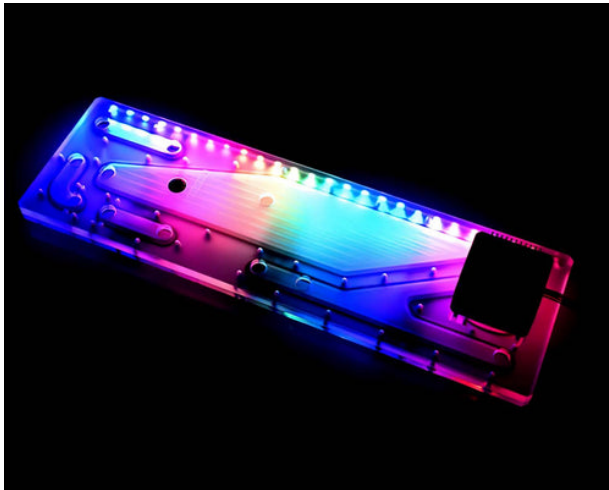


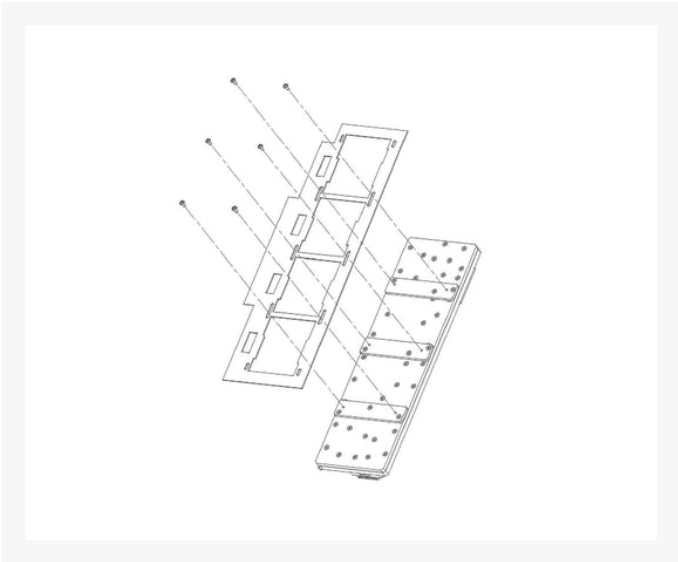
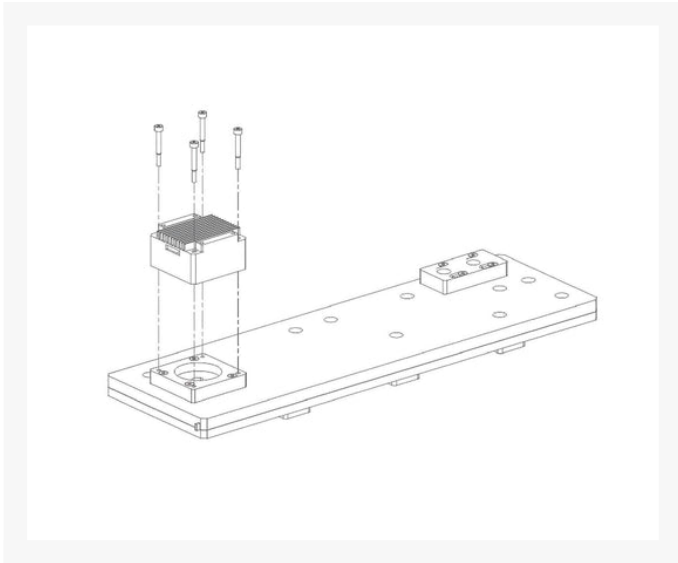
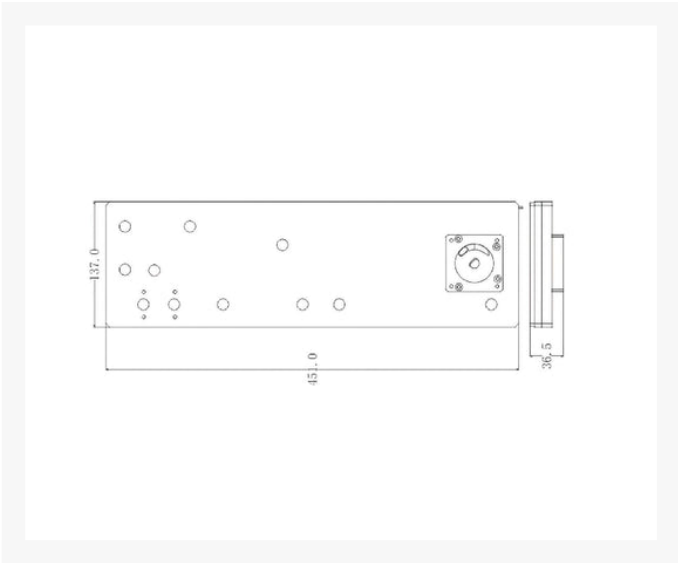
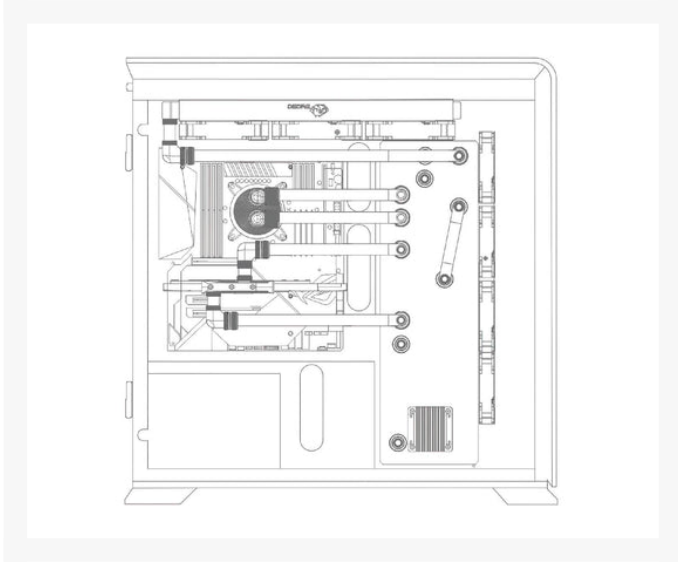


Bykski Distro Plate For Phanteks Enthoo 719 - PMMA w/ 5v Addressable RGB (RBW)

\$249.95

Product Images





Short Description

Bykski Distro (or distribution) plates are a unique way to outfit your cooling loop. These are designed case

specific to fit perfectly to create amazing cooling loops and a stunning visual look. Ports are lined up for perfect lines to each cooling device.

Description

Bykski Distro (or distribution) plates are a unique way to outfit your cooling loop. These are designed case specific to fit perfectly to create amazing cooling loops and a stunning visual look. Ports are lined up for perfect lines to each cooling device.

The Distro plate is engineered to be used with an inline pump, allowing you to power your entire loop right from your loop center piece.

Note: Some pictures may show a colored pump armor, product comes with black armor.

Features

FEATURES

- Precision Custom Layout
- PMMA

Specifications

SPECIFICATIONS

- Material: Clear PMMA
- Thread: G 1/4in.

SPECIFICATIONS - DDC

- Heatsink Material: Aluminum (Not in contact with coolant)
- Power: Standard 4 pin power connector and a PWM 4-Pin header
- Voltage Range: 10V - 15V DC
- MTBF (Mean Time Between Failure): 50,000 hours, or approximately 5.5 years
- Maximum discharge: ~ 132 GPH (600 LPH)
- Max RPM: 5000
- Dimensions: 62 x 62 x 58mm
- Performance will vary based on cooling loop dynamic

COMPATIBILITY

- Loop: Non-Aluminum
- Radiator: Designed for 30mm thick or less
- Case Type: Phanteks Ethoo 719 (specific)

INCLUDED PARTS

- 1x Distro plate
- Mounting Hardware
- DDC Pump w/ Heatsink (Black)

WARNINGS

This distro plate is designed specifically for this case. Using other motherboards, blocks, and layouts is always possible but may not appear as pictured depending on component port locations. Product does NOT include installation instructions.

Not responsible for any hardware damage. Use at your own risk.

Additional Information

Brand	Bykski
SKU	RGV-PHA-719-P-K
Weight	6.0000
Color	Clear
Reservoir Type	Distribution plate
Pump Type	DDC

