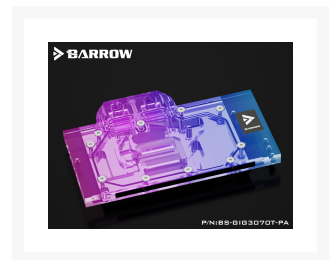
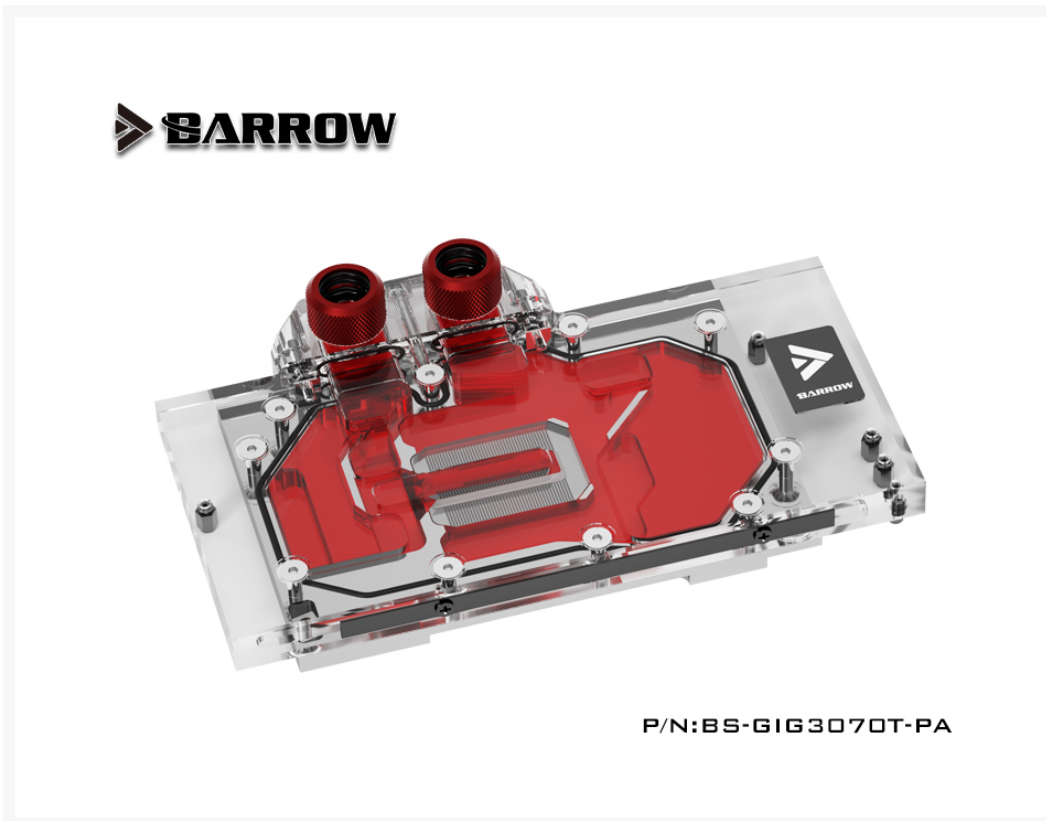


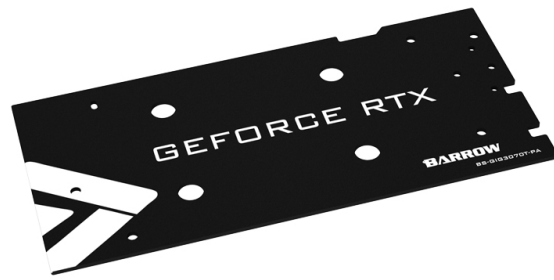


# BARROW Barrow LRC2.0 full coverage GPU Water Block for Gigabyte 3070Ti GAMING OC Aurora

Special Price  
**\$55.08** was  
**\$109.95**

## Product Images





P/N:BS-GIG3070T-PA

## Short Description

---

Barrow GPU Waterblocks are made with the purest copper and is nickel plated to give it that mirrored finish.

## Description

---

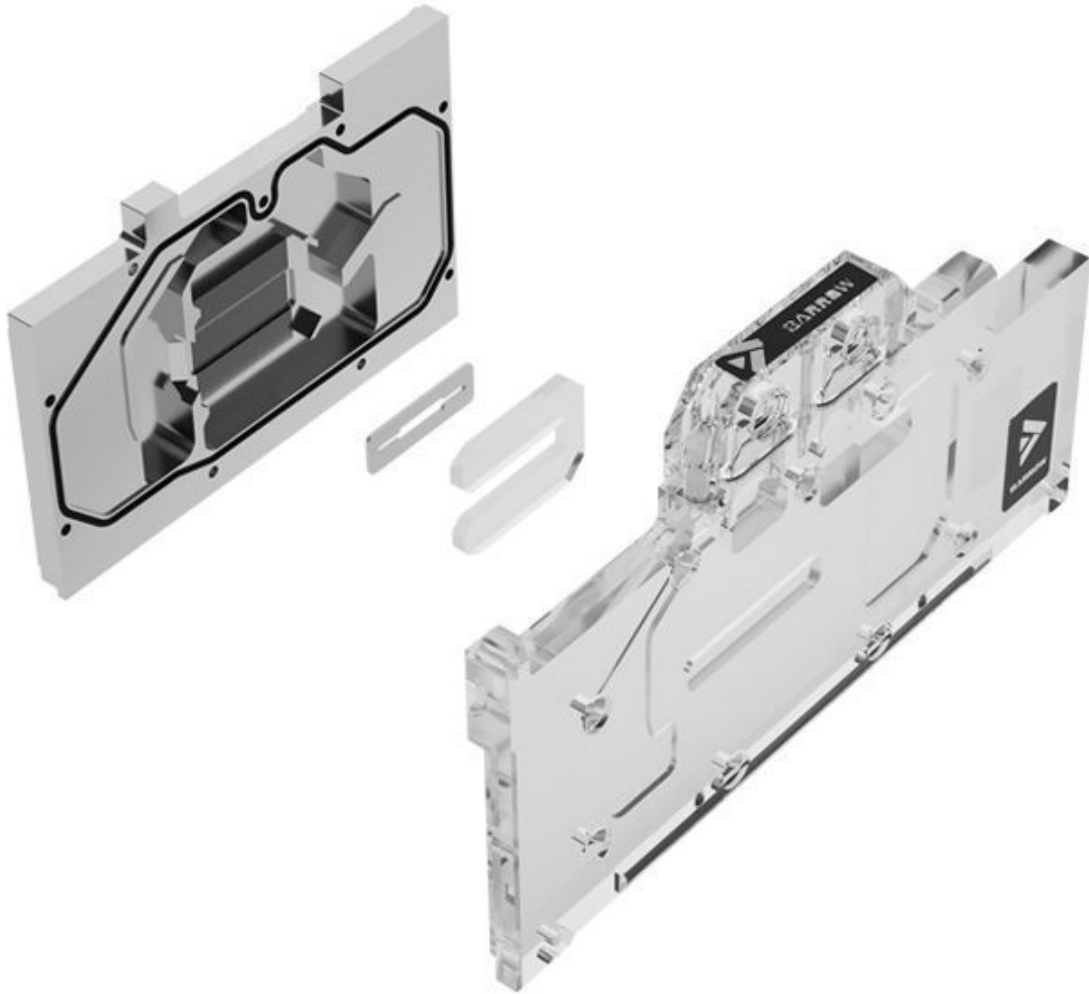
Barrow GPU Waterblocks are made with the purest copper and is nickel plated to give it that mirrored finish.

## Features

---

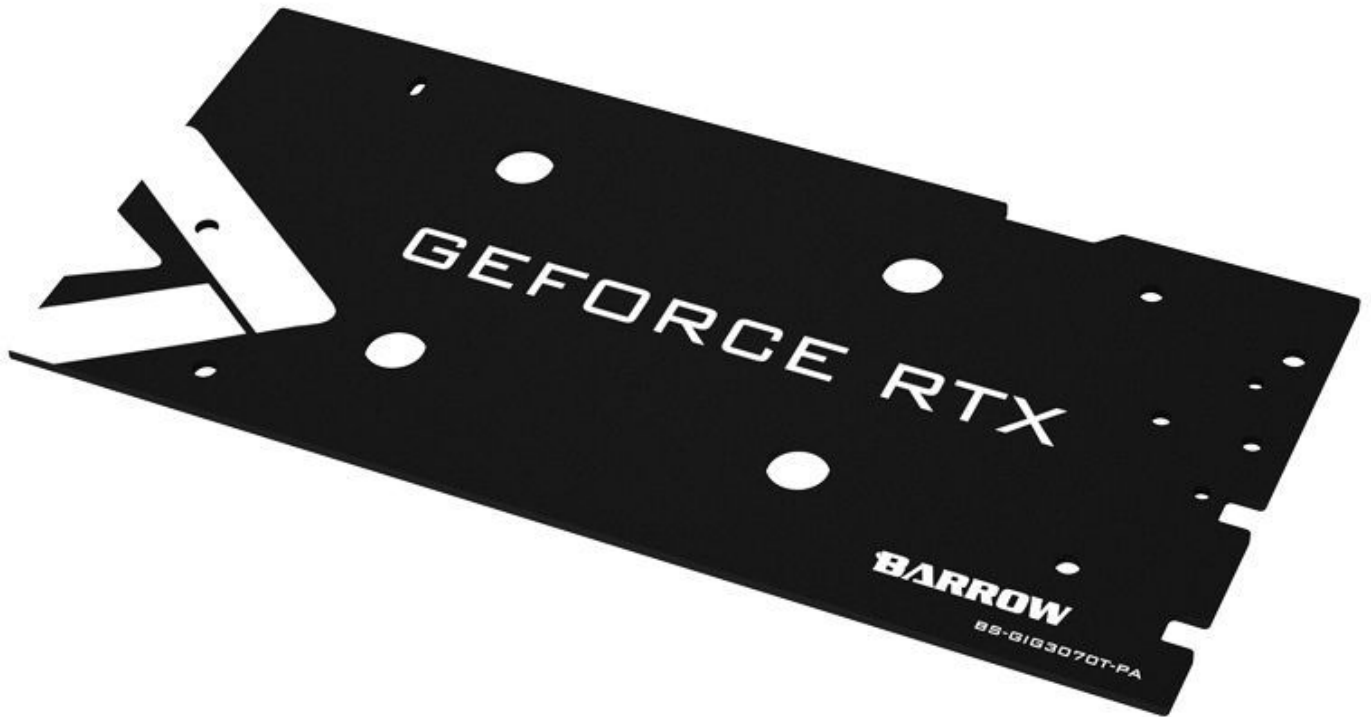
## Three layer cooling design of core

Three layer cooling design of cold finger core, Coolant can absorb Calories of GPU core  
Cooling more strongly and improve cooling efficiency.



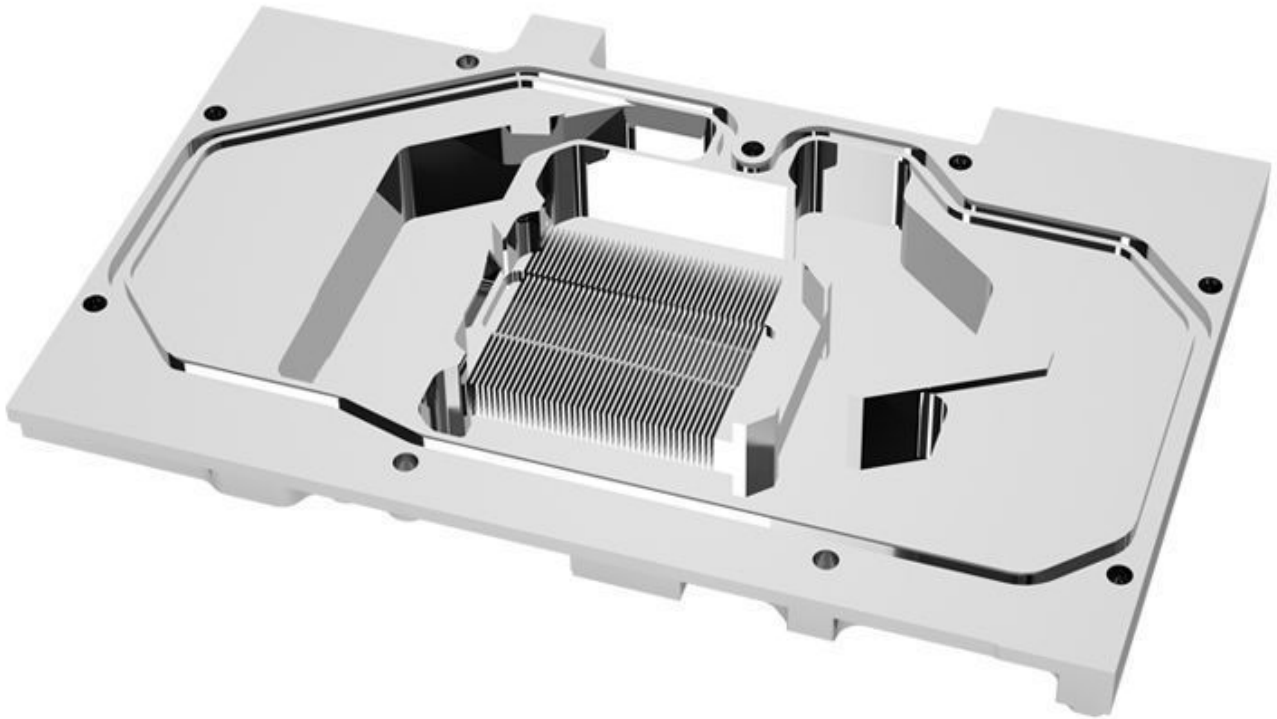
## Standard equipped with aluminum alloy back plate

Equipped with aluminum alloy backboard, it can provide all aspects of protection for GPU, and bring strong appearance and the efficiency of heat dispersion to GPU. The size of backboard is close to the length of GPU PCB, leaving more space for case to expand other hardware.



## 10mm Super thick copper material

The 10mm Super thick copper raw material is made by CNC processing. The material is solid. The surface is treated with anti-oxidation nickel plating, which extends the service life. Thanks to the material used for thickening plate. This realizes the single-layer sealing structure and increases the water flow coverage area. It not only improves the sealing stability of GPU, but also is more conducive to evenly absorb and conduct the heat of each heating part of GPU. With the weight reducing structure design, the weight of the product is reduced, and the load-bearing load of GPU is obviously reduced.



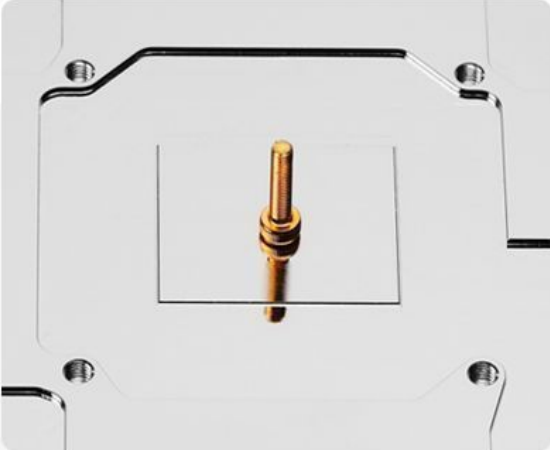
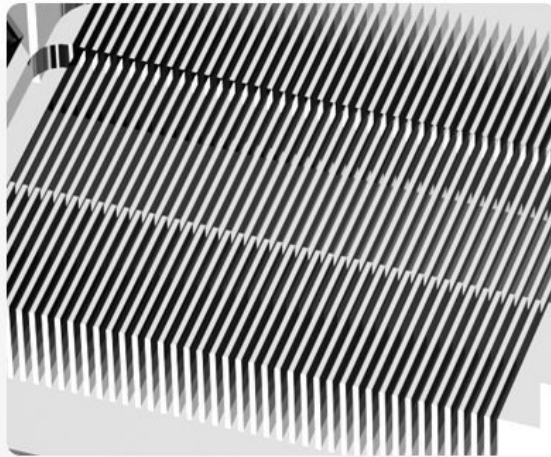


### Original imported high-transparency acrylic board

High-temperature-resistant and high-transparency imported acrylic raw materials have higher transparency, longer life, no color change, no cracking, and emitting full of internal brilliant lighting effects.

### High-density jet microchannel

The enlarged area of water passage has as many as 43 micro-channels, each with bottom-clearing slots and 5+3 (0.5MM groove width + 0.3MM interval) asymmetric water channels. The contact area between the water-cooling liquid and the soleplate is increased, as well as the heat dissipation efficiency of the cold head is enhanced.



### Copper-nickel plated mount

As the main material of the soleplate, copper with thermal conductivity which is less than silver, has high heat absorption and heat transfer efficiency. The surface adopts the mirror nickel plating process, which can effectively prevent the soleplate from oxidation and increase the service life.

### Appearance patent bridgehead

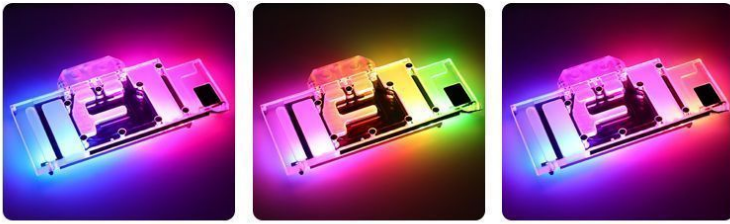
Patent No.: 2016304260188

Unique appearance design, plus translucent logo makes the lighting effect more gorgeous.



## Lighting effects show

Version 2.0 lamp belts and lamp beads can produce asynchronous static and dynamic lighting effects, that is, each lamp bead can independently change color in the same period. The built-in removable RGB light components can replace the light components according to the actual needs.



## Control system 2.0

LRC full-color RGB lighting control system 2.0 includes BARROW's version 2.0 manual controller and 16 channel remote controller. It can be compatible with the RGB lighting components and other independent products as well as built-in lighting components of all BARROW's 2.0 versions.



## Compatible motherboard programmable ARGB light interface

Motherboard with 5V programmable ARGB pin can be connected via adapter ZBDZJX-5

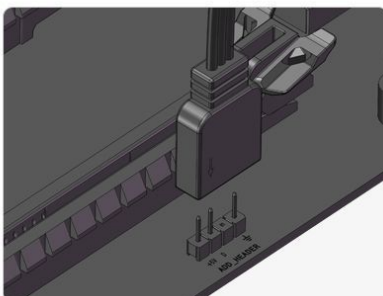
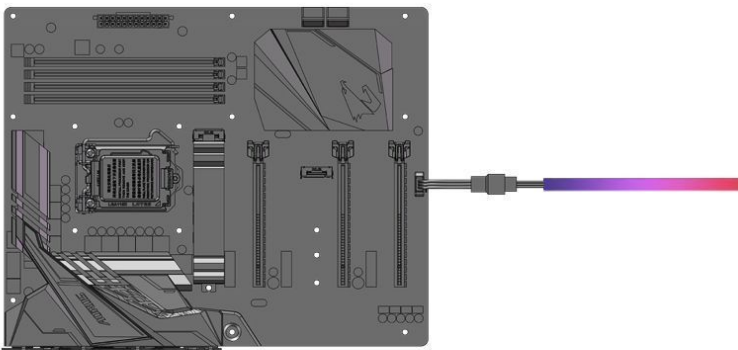


Barrow ZBDZJX-5 adapter cable



Length: 40cm

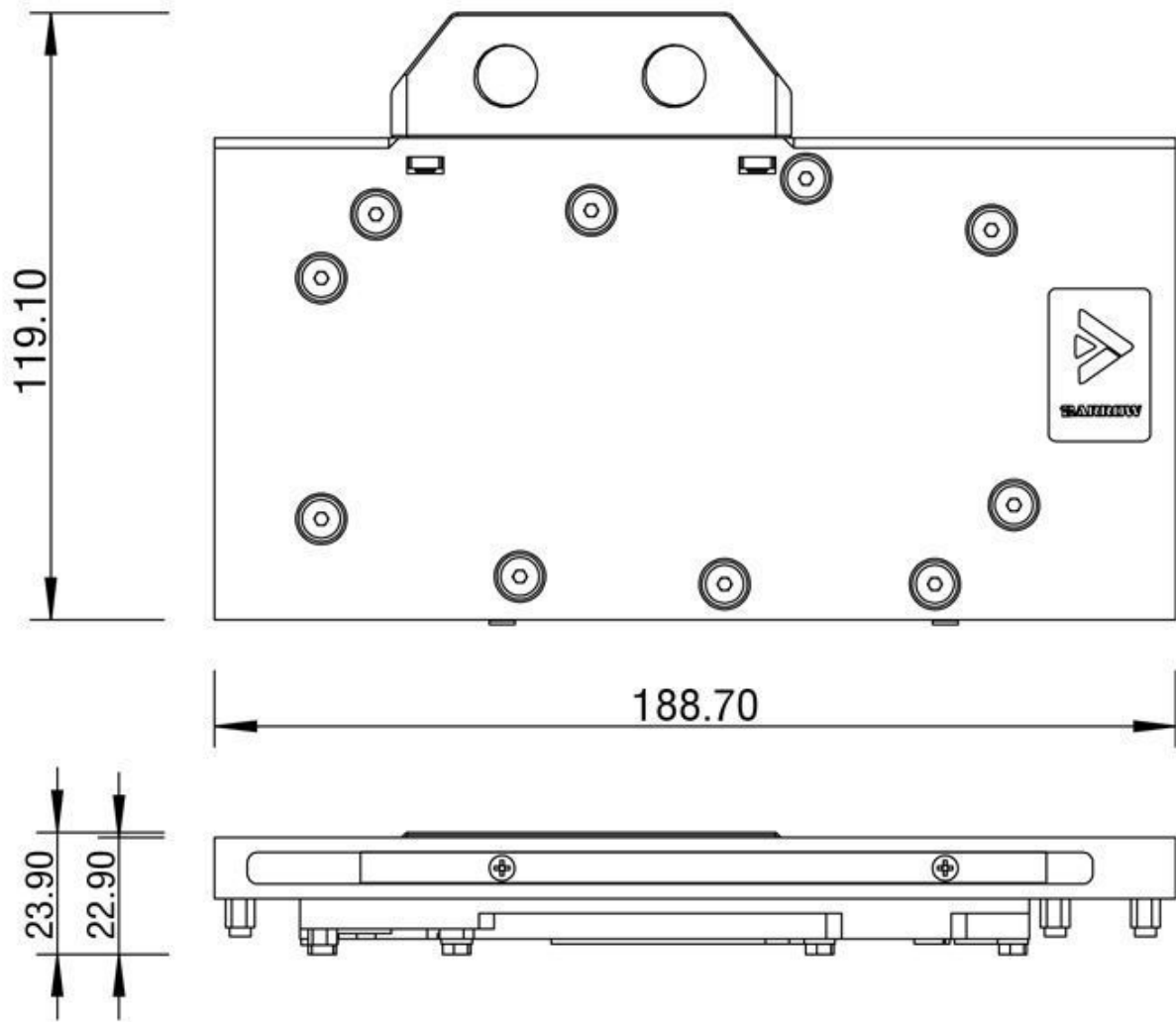
The adapter cable is not a standard accessory, please purchase separately



The 5V ARGB adapter cable should be connected to the corresponding motherboard interface in the corresponding direction

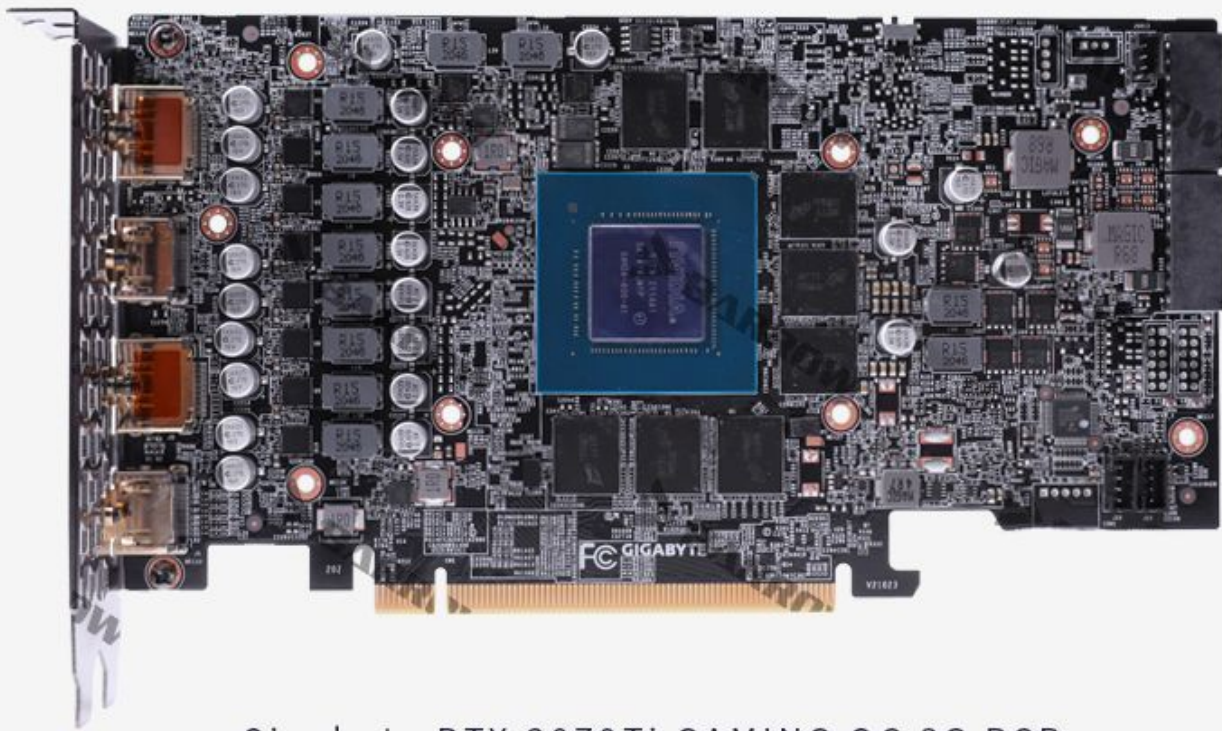
The ZBDZJX-5 adapter cable can only be connected to the motherboard 5V 3-pin ARGB lighting interface

## Appearance size



DIMENSION IN MM



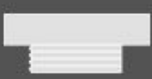


Gigabyte RTX 3070Ti GAMING OC 8G PCB

## Water block accessories list



Thermal silicone  
1 pcs



Stop Plug Fitting  
2 pcs



Spring bolt  
6 pcs



PC washer  
14 pcs



Thermal silicone  
gasket  
4 pcs

## Water block compatible GPU model



**Gigabyte RTX 3070Ti GAMING  
OC 8G**



**Gigabyte RTX 3070 EAGLE  
OC 8G**



**Gigabyte RTX 3070 EAGLE 8G**



**Gigabyte RTX 3070 GAMING  
OC 8G**



**Gigabyte RTX 3070 VISION  
OC 8G**



**Gigabyte RTX 3070 VISION**



**Gigabyte RTX 3060Ti GAMING  
OC PRO 8G**

## Additional Information

Brand	Barrow
SKU	BS-GIG3070T-PA
Weight	4.0000
Color	Clear
Block GPU Type	Nvidia
Block Style	Nickel-Plexi
Vendor SKU/EAN	6937826615528
Special Price	\$55.08

