

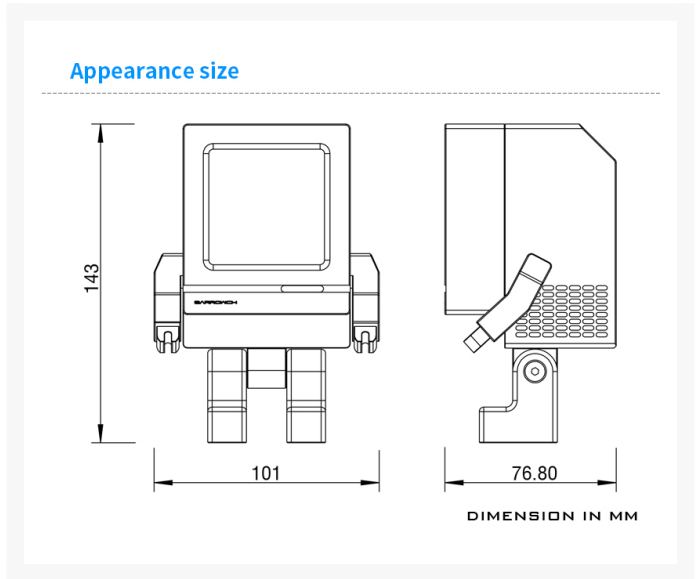


BARROWCH Barrowch Limited edition
Cyclops MINI independent
monitor

\$262.99

Product Images





Short Description

Check out this limited edition Barrowch Cyclops mini monitor. Make your build stand out amongst the rest, with this one of a kind mini monitor.

This changeable modeling structure allows you to show your "style"

Only 99 made global, get yours before they are gone forever!!

All are made with unique limited edition numbers.

What number will you get!??

(please note no numbers can be requested)

Description

FBEHD-02

Barrowch Limited edition Cyclops MINI independent monitor



FBEHD-02

Create originality optimization and upgrading, Unique new experience



Aluminum alloy
Material



TFT display
screen



Unique appearance



Multiple replaceable
interfaces

◇ Products information

Mode: FBEHD-02	Color: Black
Quantity: 1Set	Net weight: 998g
Resolution: 1440*1440px	Dimensions: Please refer to the dimension drawing
Application: Mini external display with standard HDMI interface.	
Note: In case of product appearance structure upgrade,without further notice,in kind prevail	

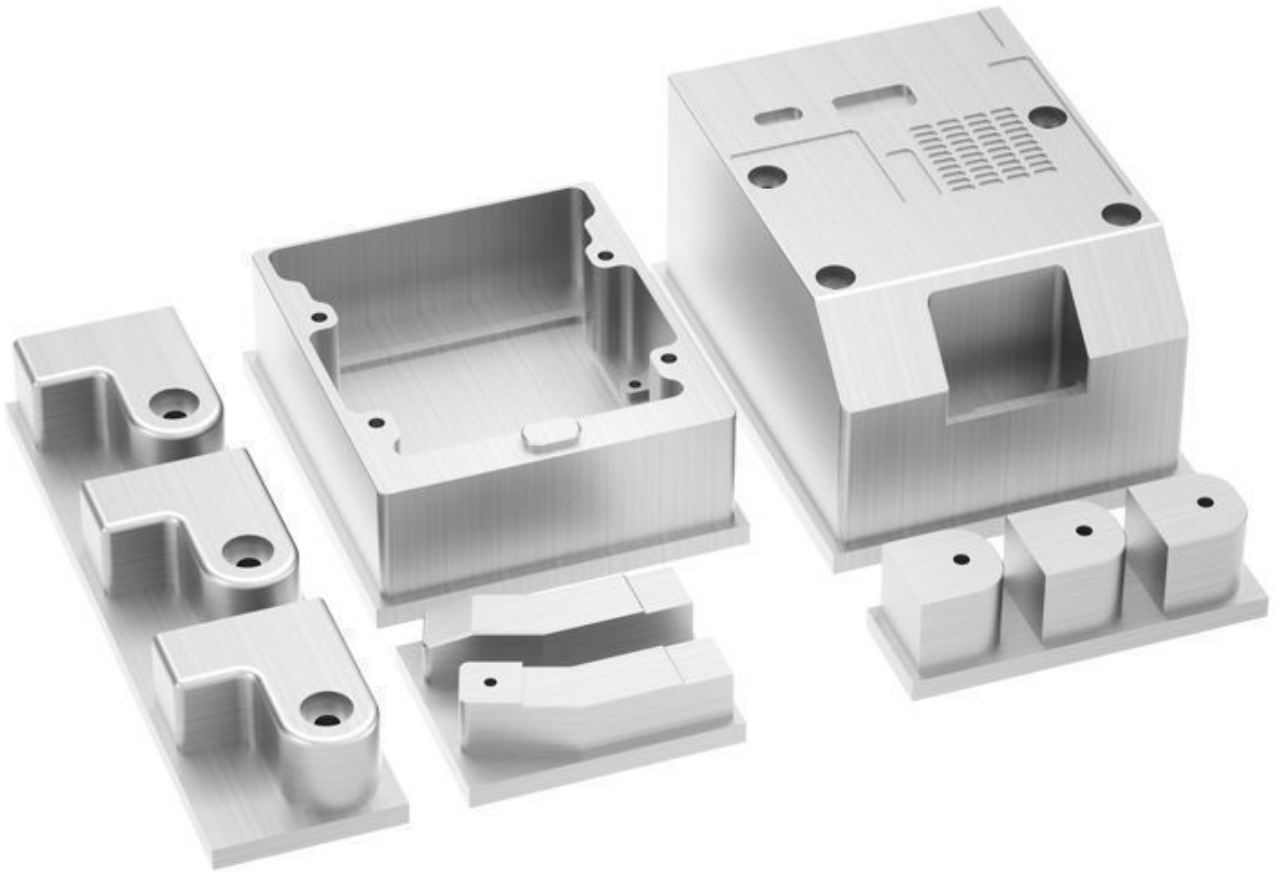
Design inspiration

The product is inspired by the Macintosh 128K Mac computer produced by Apple in 1984, whose representative hardware of CRT display, monochrome display, 60W power supply, Macintosh 128K motherboard and Motorola 68000 processor were the representative products at that time. Although it was a product more than 30 years ago, its desktop graphics design was revolutionary.



The machine is all aluminum alloy CNC engraving and milling with great quality of metal texture

The seven parts of the machine are made of integral aluminum alloy and processed by CNC with great quality of metal texture, which is just for meeting your requirements of future technology and metal texture.



The global limited edition of 99 Cyclops MINI

Without taking the raw materials and processing costs into consideration, a great amount of money is spent on the Cyclops MINI independent display, which is limited to 99 units worldwide. Come in while stocks last. And it is of pretty good value for collection.



MINI desktop display with standard HDMI interface

In a volume of the size of the hand, it is configured with a standard HDMI video interface and 5V power input, which can be used as the copy of the main display, the expansion of playing movies and videos, and displaying the game content and system hardware.



A future mechanical look

Original design, future mechanical modeling, and flexible rotation of upper limb 360 °+ lower limbs 180°. The changeable modeling structure allows you to show your “style” .



Multi-replaceable AIDA64 monitoring interfaces

The high-quality HD display can adapt to the AIDA64 software, the official will continue to release various interfaces on the basis of AIDA64 system monitoring software for replacement.



Specifications

◇ Product parameters

Screen type: LCD module

Size: 2.9 inch

Resolution: 1440*1440px

Refresh rate: 60Hz

Interface type: HDMI video connection

Micro USB power supply interface

Accessories: HDMI video cable *1

USB power cable *1

3MM wrench *1



Universal input interface of HDMI video

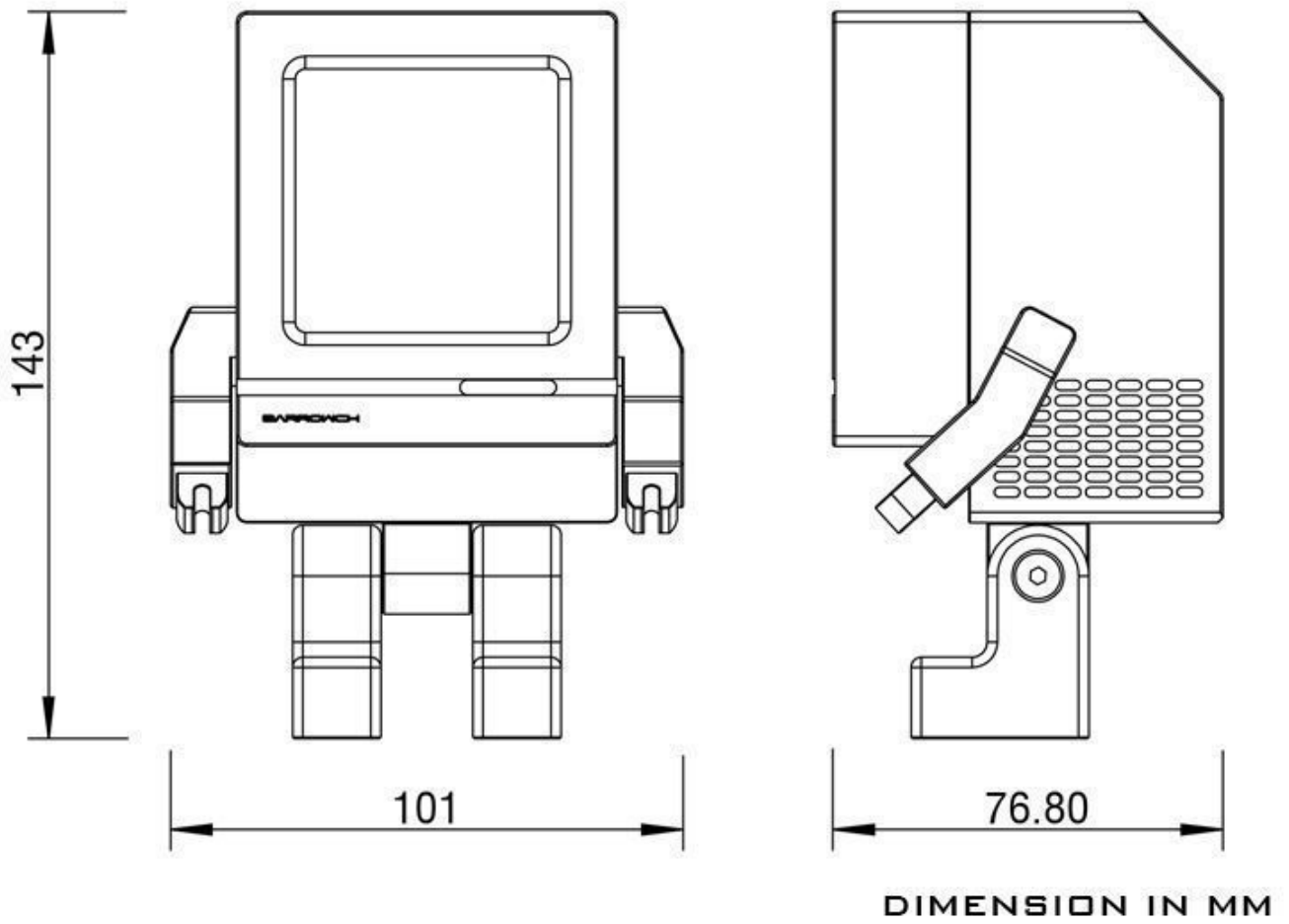
The standard HDMI is used as the video input interface, which is compatible and easy to use. The standard length of the wire is 50 cm.

USB power supply with 5V low voltage

Adopt the standard Micro USB as the power supply interface, and the 5V low voltage is safer, it is available to the hot swap.



Appearance size



Additional Information

Brand	Barrowch
SKU	FBEHD-02-BK
Weight	2.0000
Msc Watercool	Display Monitor
Material	Aluminum
Vendor SKU/EAN	6937826664861

