



Barrowch AMD RYZEN AM4/AM3 platform TFT Digital display CPU Water Block

\$124.95

Product Images



Short Description

Want a unique CPU waterblock with an integrated OLED temperature readout, but don't want feel like selling a kidney to get one? Well you're in luck because Barrowch has you and your CPU covered with this sleek solution! Designed for AMD consumer and workstation platform this block will work with AM3 and AM4 socket CPUs.

Description

FBLTFHAT-04N V2A

Barrowch X399 AMD Threadripper TFT Digital display CPU Water Block



FBLTFHAT-04N V2A
Create originality optimization and upgrading, Unique new experience



Micro water passage



Copper-nickel
plated mount



Unique appearance



Colorful lights

◇ Products information

Mode: FBLTFHAT-04N V2A	Color: multicolored
Quantity: 1Set	Specification: G1/4"
Material: Red copper+Acrylic +Aluminum alloy	Dimensions: Please refer to the dimension drawing
Application: Suitable for desktop computer CPU core cooling.	
Note: In case of product appearance structure upgrade,without further notice, in kind prevail	

CNC precision machining

The aluminum alloy is processed by CNC complex machining and other multi-channel complex surface post-treatment process, showing the full texture.



Integrated interface

Through integrating circuits, Integrate the internal circuits into one power input, only need access to Barrow's LRC2.0 lighting system



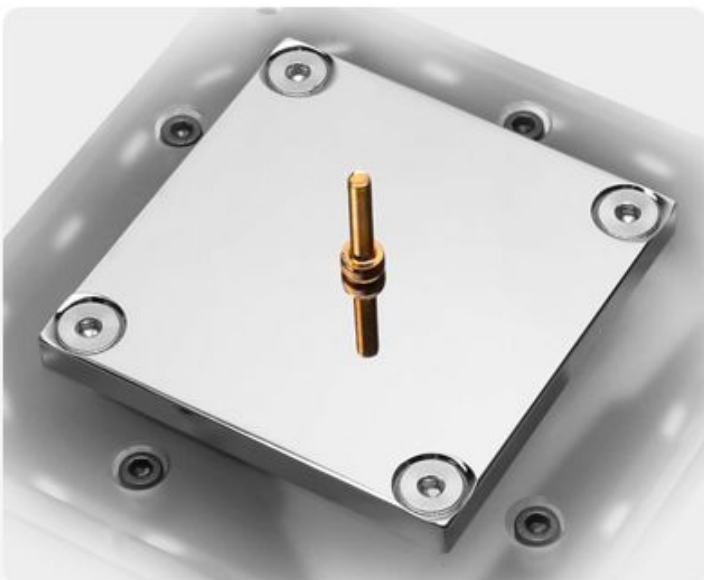


Original imported high-transparency acrylic board

High-temperature-resistant and high-transparency imported acrylic raw materials have higher transparency, longer life, no color change, no cracking, and emitting full of internal brilliant lighting effects.

High-density jet microchannel

58MM*58MM High purity copper nickel plating base plate, up to 49 micro channels, each channel is clear bottom grooving, 4 + 2 asymmetric (0.4mm slot width + 0.2mm interval) channel. The contact area between the cooling liquid and base plate is increased, and the heat dissipation efficiency of water block is enhanced.



Copper-nickel plated mount

As the main material of the soleplate, copper with thermal conductivity which is less than silver, has high heat absorption and heat transfer efficiency. The surface adopts the mirror nickel plating process, which can effectively prevent the soleplate from oxidation and increase the service life.

Lighting effects show

Version 2.0 lamp belts and lamp beads can produce asynchronous static and dynamic lighting effects, that is, each lamp bead can independently change color in the same period. The built-in removable RGB light components can replace the light components according to the actual needs.



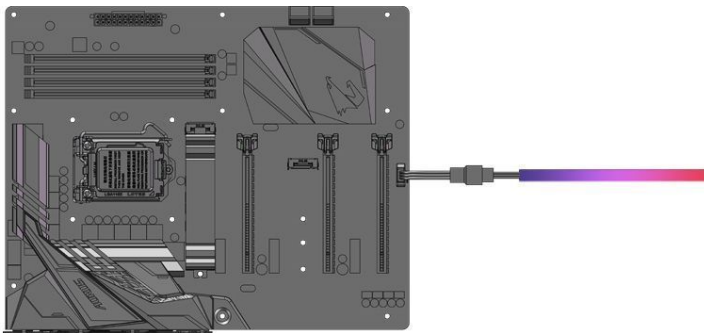
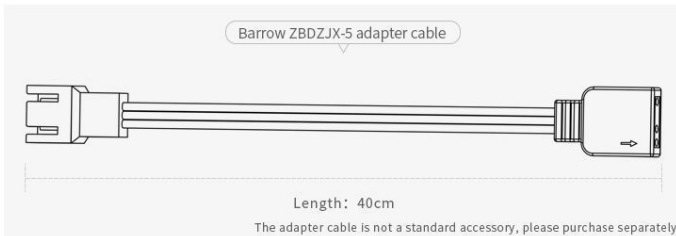
Control system 2.0

LRC full-color RGB lighting control system 2.0 includes BARROW' s version 2.0 manual controller and 16 channel remote controller. It can be compatible with the RGB lighting components and other independent products as well as built-in lighting components of all BARROW's 2.0 versions.



Compatible motherboard programmable ARGB light interface

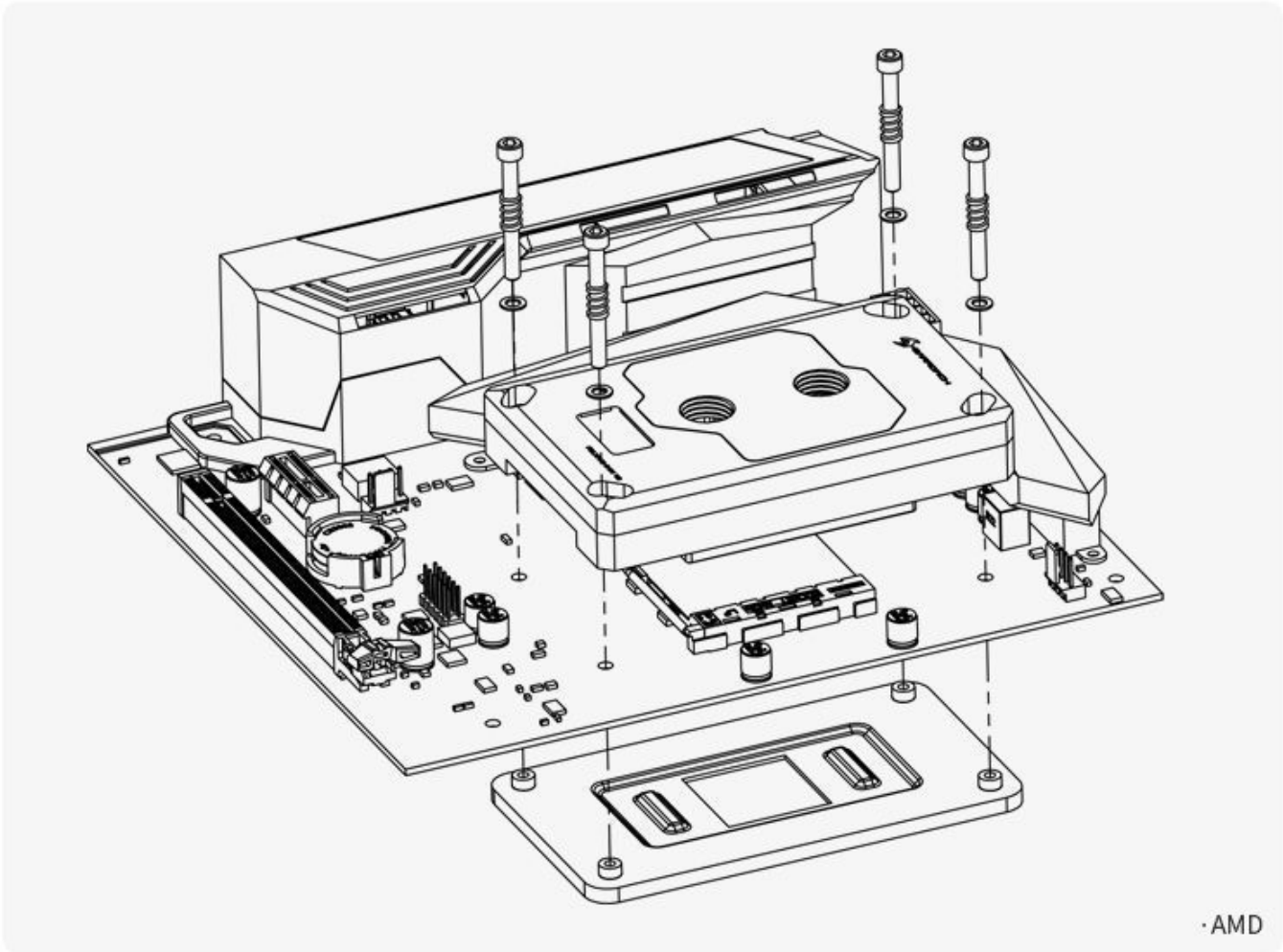
Motherboard with 5V programmable ARGB pin can be connected via adapter ZBDZJX-5



The 5V ARGB adapter cable should be connected to the corresponding motherboard interface in the corresponding direction

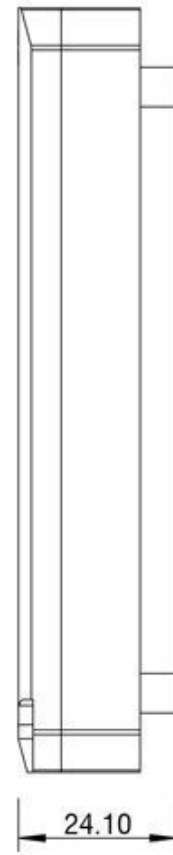
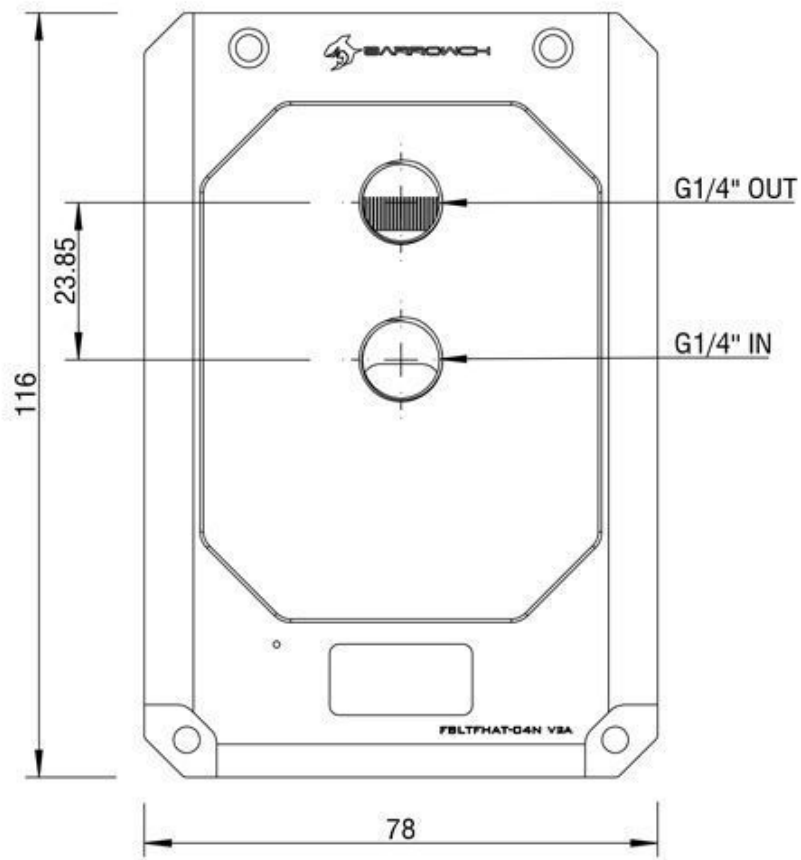
The ZBDZJX-5 adapter cable can only be connected to the motherboard 5V 3-pin ARGB lighting interface

Installation example



·AMD

Appearance size



DIMENSION IN MM

Additional Information

Brand	Barrowch
SKU	FBLTFHA-04N-V2A-BK
Weight	2.5000
Color	Clear
CPU Series	AM4 / AM3+ / AM3 / FM2
Block CPU Type	AMD
Block Style	Nickel-Plexi
Vendor SKU/EAN	6937826664557

