



BARROWCH Barrowch Chameleon  
Fish series removable 3600  
radiator with display  
screen PMMA edition-  
Black

\$79.95

Product Images



## Short Description

---

The Barrowch Chameleon Fish comes in either 120, 240 or 360 lengths. Comes with temperature display screen that can be changed to either side of the radiator. It has a changeable water chamber that can be changed from PMMA to POM or vice versa. You also have the ability to change out the aluminum alloy borders to various colors to match the color scheme of your build.

## Description

---

The Barrowch Chameleon Fish comes in either 120, 240, 360, and 480mm lengths. Comes with temperature display screen that can be changed to either side of the radiator. It has a changeable water chamber that can be changed from PMMA to POM or vice versa. You also have the ability to change out the aluminum alloy borders to various colors to match the color scheme of your build.

Barrow and Barrowch was established in 2010. It is an export-oriented and domestically-manufactured manufacturing enterprise specializing in computer and industrial water cooling equipment and precision hardware components. The advanced design concept and internal structure are deeply loved by domestic and foreign enthusiasts of water cooling players.

- Dual pass radiator designed for computer liquid cooling
- High liquid and air flow design
- Copper fin spacing optimized for high flow fans
- Slim height for easy mounting
- Perfect for all overclocking and silent projects
- Integrated OLED LCD Screen

## Features

---

## Real-time temperature detection

Create originality optimization and upgrading, Unique new experience.



## Thickness is moderate heat dissipation is strong

It is golden ratio of 30 MM thickness and Strong performance, can keep Good compatibility with case.



## Display can be changed at will

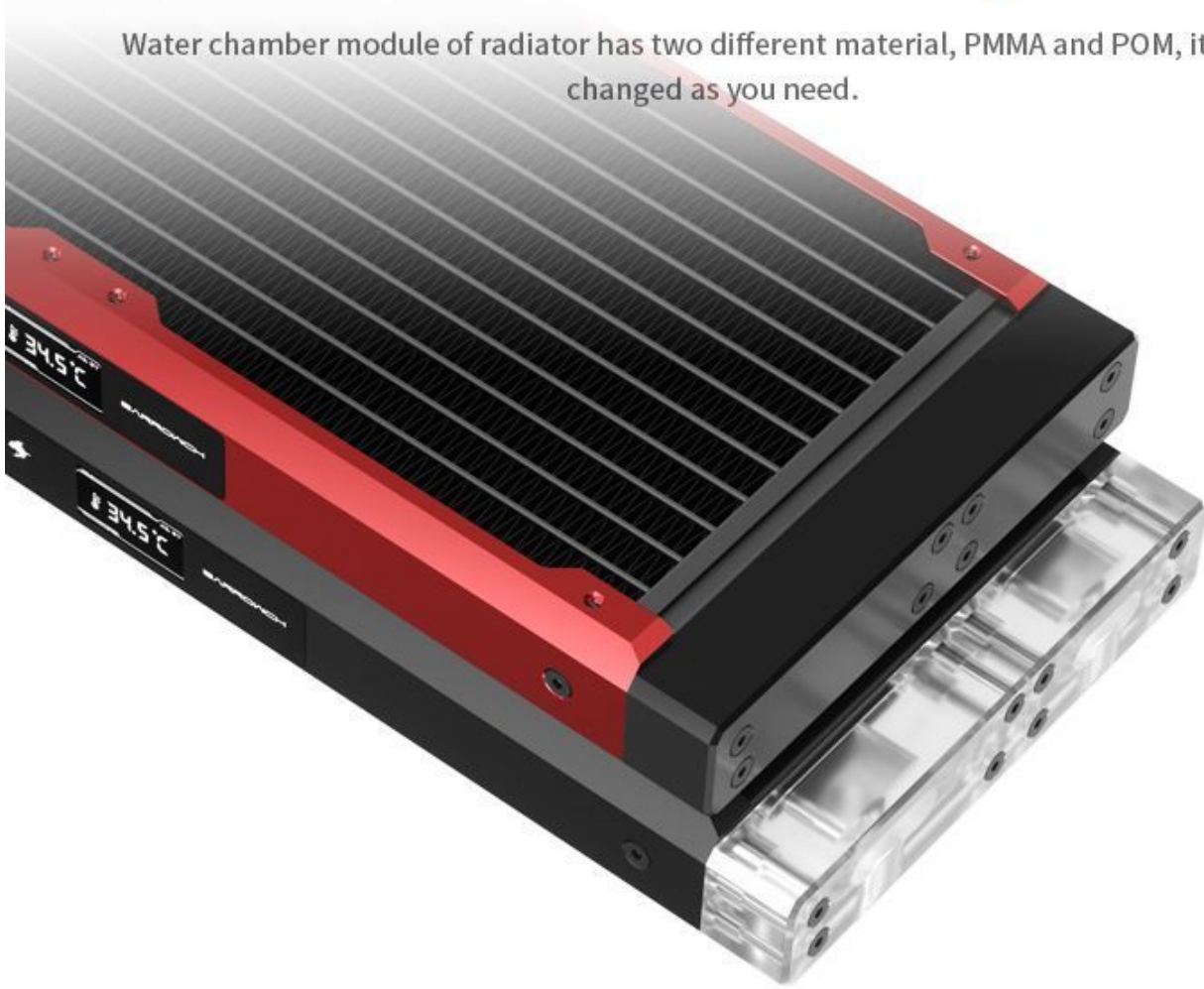
It can adjust actually the direction of display screen according to actual installation direction of radiator.



Factory default display screen direction, if you need to change it, please follow the instructions below carefully.

## Water chamber module can be changed at will

Water chamber module of radiator has two different material, PMMA and POM, it can be changed as you need.





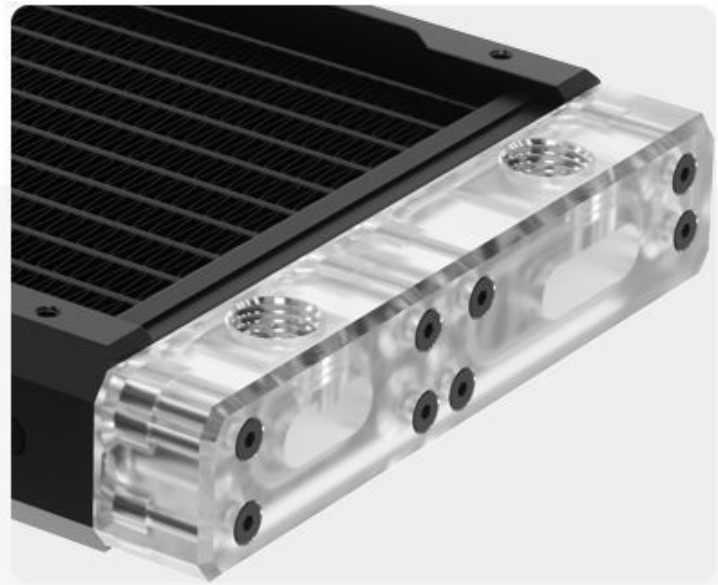
## Multicolored border can be selected

It has modular aluminum alloy border and various color matching schemes, There's always one for you.

Black Red Silvery

## Non-polarized water chamber

It no need to distinguish between inlet and outlet, inflow in everywhere is normal heat dissipation can be carried out.



## CNC process

The radiatorbracket is processed by CNC and anodized on the surface. The product has tactile appeal.

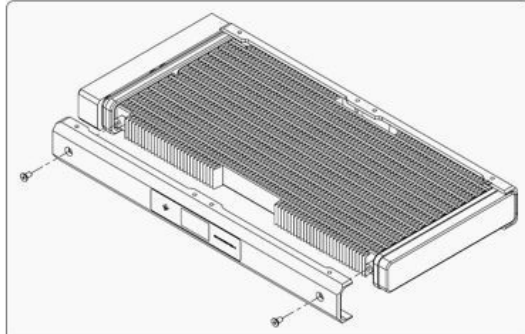




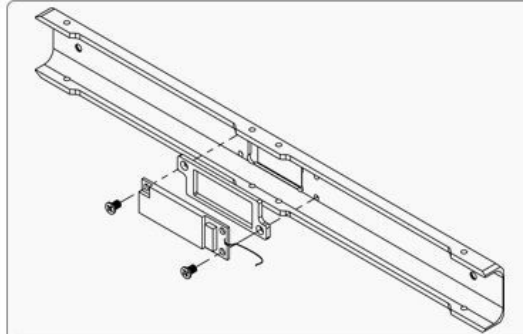
## Installation example

### The first method: Change the position of display screen

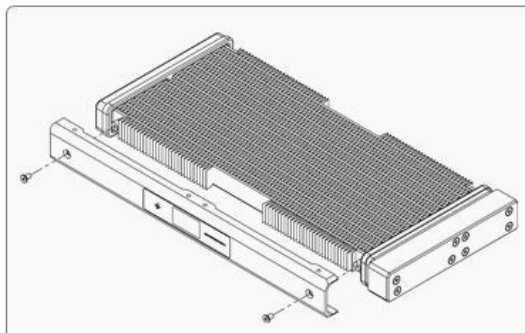
Replace the display screen radiator bracket on the other side of.



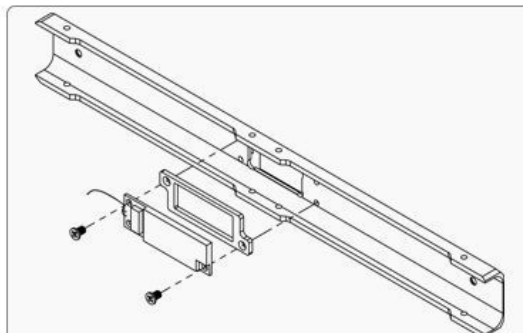
① Remove the bracket with display on the radiator.



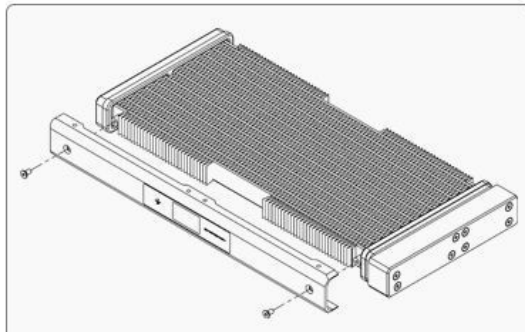
② Remove the display and the acrylic gasket.



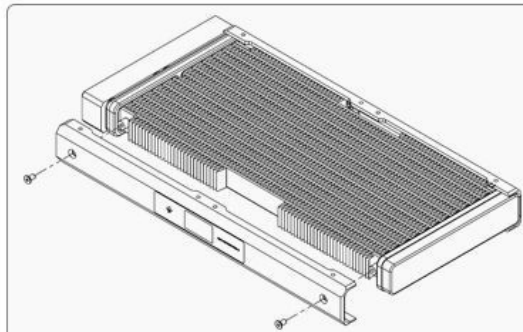
③ Remove the bracket without display on the other side of the radiator.



④ Install the display and the acrylic gasket to the bracket on the other side as shown in the figure.



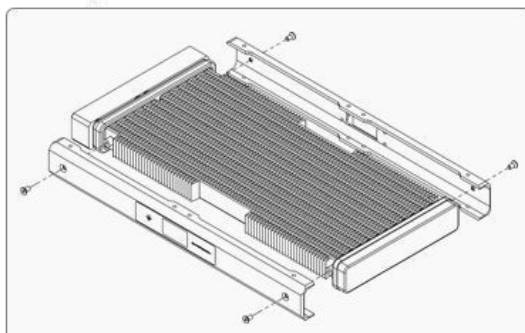
⑤ Put the thermistor into the wave plate of the radiator and install the bracket with the display as shown in the figure.



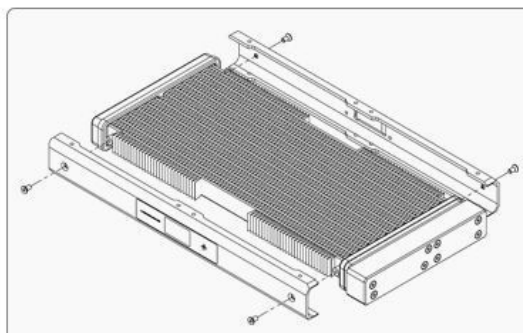
⑥ Install the bracket on the other side as shown in the figure and the replacement is done.

### The second method: Replace the radiator bracket position

Exchange radiator bracket on the both side



① Remove the brackets on both sides of the radiator.



② Swap the radiator brackets on both sides and the body of the radiator, and tighten the screws as shown in the figure.

## Additional Information

---

Brand	Barrowch
SKU	FBCFRX-360Y-V2-BK
Weight	6.0000
Color	Black
Radiator Size	360 (3 x 120mm)
Radiator Thickness	30mm
Vendor SKU/EAN	6937826664359

