



# **BARROW** Barrow Dabel-b series copper 240 Radiator

\$59.95

## Product Images



P/N:DABEL-28B 240

## Short Description

---

BARROW Dabel-40b series of red copper water cooling standard height of 28MM, suitable for high heat dissipation requirements of standard or large water cooler installation and use. The waterway is made of pure copper material, the brass of the water chamber and the fan mounting bracket are made of stainless steel.

## Description

---



**P/N:DABEL-28B 240**

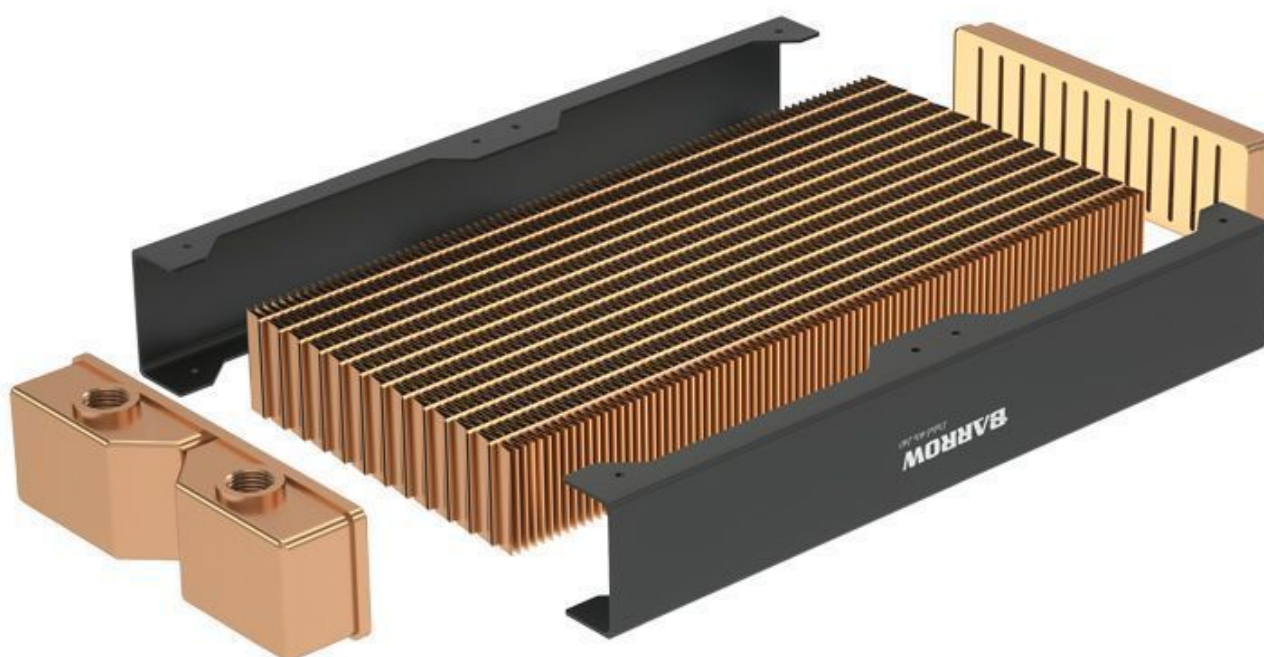
## ◇ Radiator specification

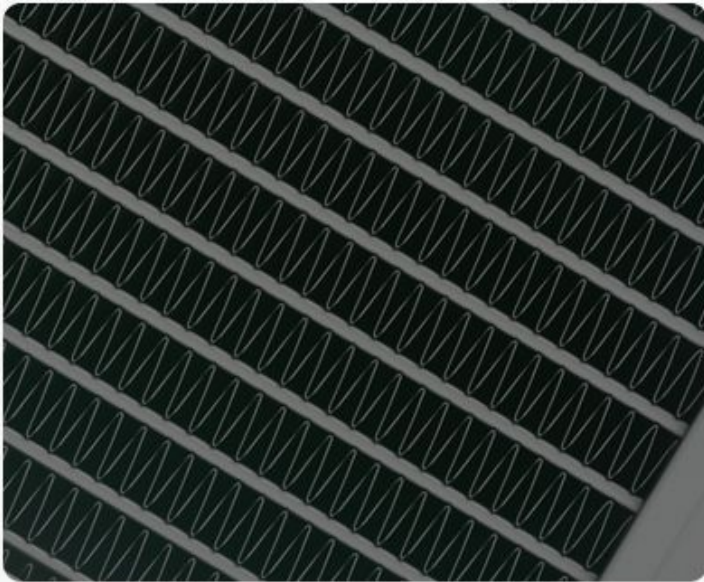
Model: Dabel-28b 240	Accessory: M3*6 Screw *16
Fins: Density: 16pcs/inch; High: 18mm	M3*30 Screw *8
Text pressure: 0.32BAR	M3*35 Screw *8
Net weight: 502g	2MM Hexagon wrench *1
Capacity: 165ml	M3*7*0.5 Black gaske *8
Internal structure: Copper flat tube, 14pcs 233mm*2mm*15mm	

## Features

### High flow cooling Radiator

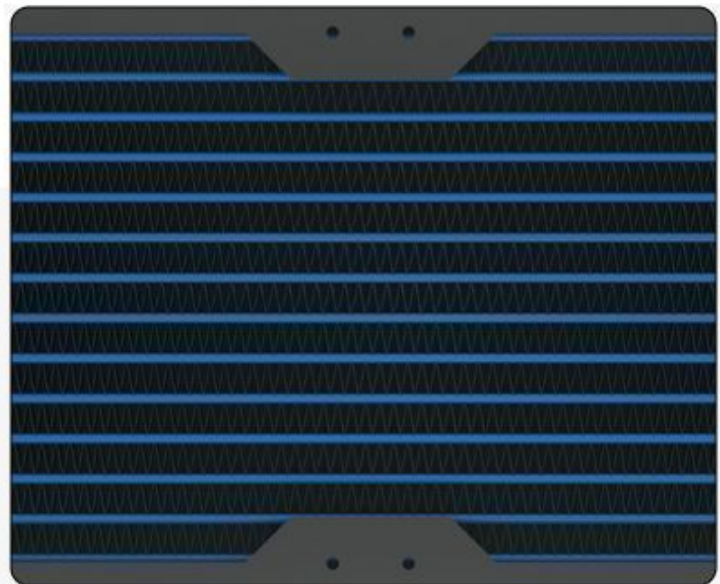
BARROW laboratory is committed to the research and development of high cooling efficiency radiator. It uses its own factory's high-quality production resources to create satisfactory cooling products for users. Having passed the flow and cooling efficiency tests, this kind of radiator boasts excellent cooling efficiency. This achievement is due to copper straight through radiators and dense fin structures, which can make the cold liquid circulate quickly and disperse the heat evenly.





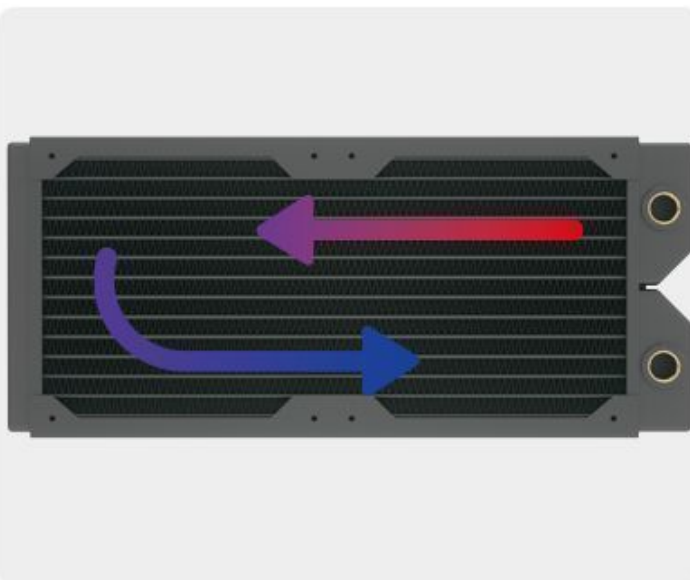
### High density red copper fins

This kind of radiator features 18FPI cooling fins, which can effectively improve the cooling area. The straight through cooling channels and high wind pressure fans can quickly take away the heat of the cooling liquid in the radiator as a way of improving the cooling efficiency of the water cooling system.



### Multi-channel circulation

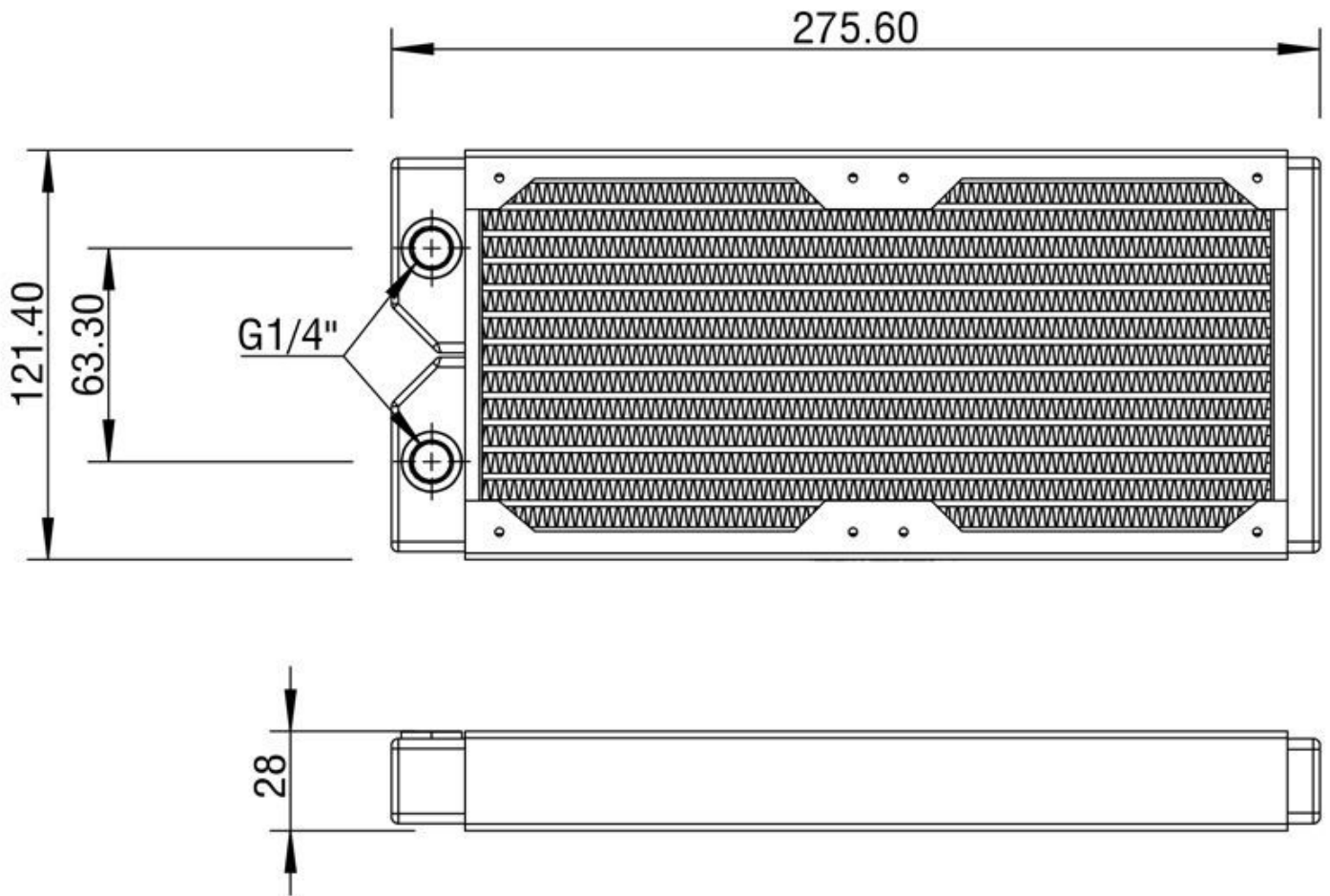
Multiple cooling channels are preset in a way that directly increases the cooling area of the radiator to further improve the cooling efficiency.



### Revolving heat dissipation passageway

It can increase the length of coolant flow in the radiator, and make the coolant can effective heat dissipation in the radiators.

## Appearance size



DIMENSION IN MM

## Additional Information

---

Brand	Barrow
SKU	DABEL-28B-240
Weight	3.5000
Color	Black
Radiator Size	240 (2 x 120mm)
Radiator Thickness	28mm
Vendor SKU/EAN	6937826615481

