

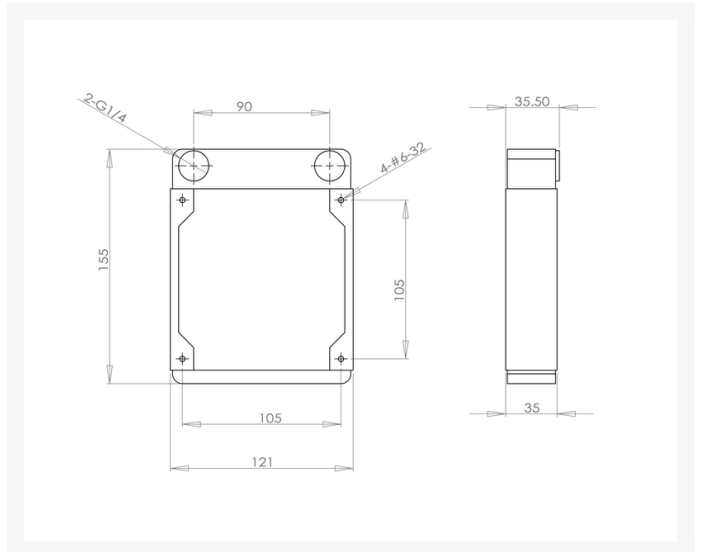


XSPC EX120 Single Fan Radiator

Special Price
\$27.95 was
~~\$34.99~~

Product Images





Short Description

The EX series combines the low profile design of our RS series radiators with the high performance of our award winning RX V1 series. This feat has been possible due to several manufacturing advances including, split fins, improved soldering techniques, and welded seam tubes. The EX series has been designed and optimised for low speed fans, so it can offer high performance cooling at very low noise levels.

Description

The EX series combines the low profile design of our RS series radiators with the high performance of our award winning RX V1 series. This feat has been possible due to several manufacturing advances including, split fins, improved soldering techniques, and welded seam tubes. The EX series has been designed and optimised for low speed fans, so it can offer high performance cooling at very low noise levels.

Features

- Copper and Brass Core
- Black Matt Paint Finish
- RoHS Compliant
- Dimensions: 121 x 35.5 x 155mm (WxDxH)
- Weight: ~358g
- Ports: G1/4"
- Screws: 6-32 UNC
- Fans: 1 x 120mm (2x with push/pull)

Supplied 30mm and 6mm 6-32 UNC screws

Additional Information

Brand	XSPC
SKU	XSPC-EX120-BK
Weight	1.5000
Color	Black
Radiator Size	120 (1 x 120mm)
Radiator Thickness	36mm
Special Price	\$27.95

