



Akasa Low-Profile and Compact, Aluminium Intel® LGA1700 Mini-ITX Cooler, up to 35W TDP

\$18.95

Product Images



Short Description

AK-CC6601EP01

Designed for mini-ITX and micro-ATX chassis.

Perfect for Intel® Core™ i9 up to 35W TDP.

Description

AK-CC6601EP01

Designed for mini-ITX and micro-ATX chassis.

Perfect for Intel® Core™ i9 up to 35W TDP.

Features

Low-Profile and Compact

Maximum heatsink height of 26.9mm which makes it perfect for low profile systems and Small Form Factor (SFF) such as Mini-ITX, Cube and HTPC cases.

Intelligent and Optimised Design

Hi-performance aluminium heatsink and core coupled with an embedded fan that features intelligent PWM function, delivers as much air as needed at any given time to cool the CPU. Coupled with hi-grade thermal interface pre-applied. Ensuring that the cooler delivers outstanding cooling performance.

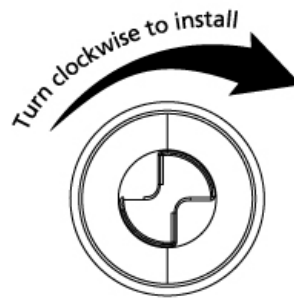
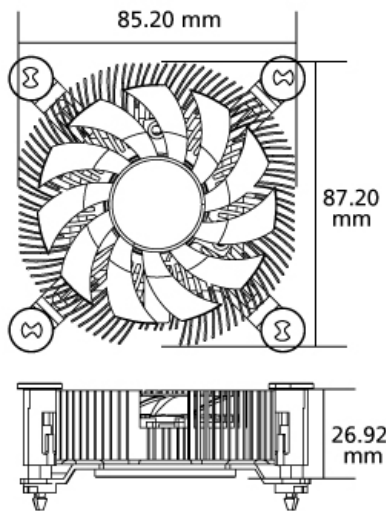
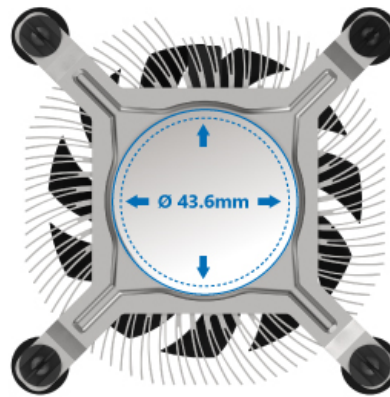
New and Easy Mounting Design

New push-pin design to cater for the Intel® LGA1700.

Array of Compatibility

Supports common desktop motherboards such as ATX, Micro-ATX, Mini-ITX, and Thin Mini-ITX.

- Height of the heatsink is only 26.9mm
- Compatible with Intel® LGA 1700
- Intelligent PWM and silent fan
- High airflow



Tool Free Push-Pin



Aluminium Heatsink



Aluminium Core



Core Diameter



Height



Compact Design



35W TDP

akasa

Specifications

Socket type	Intel® LGA 1700
Cooler Dimension	87.2 x 85.2 x 26.92mm
Heatsink Material	Aluminium
Thermal Design Point (TDP) Support	35W
Weight	165.5g
Installation	Push Pins
Fan Dimension	Ø75 x 10mm
Fan Speed	600-3000 RPM (PWM controlled)
Max Airflow	23.45 CFM
Max Air Pressure	1.81 mmH2O
Max Noise Level	30.75 dB(A)
Current Rating	0.19A
Voltage Rating	12V DC
Bearing Type	EBR (Enter Bearing)
Fan Life Expectancy	40,000 hours
Fan Connector	4-Pin PWM
Product Code	AK-CC6601EP01

Additional Information

Brand	Akasa
SKU	AK-CC6601EP01
Weight	1.6000
Color	Black/Blue
Heatsink Type	CPU Heatsink
Compatibilty	LGA 1700
Material	Aluminum
Fan Dimensions	85mm
Fan Connection	4-Pin PWM
Fan RPM	600-3000 (PWM CONTROLLED)
Fan CFM	23
Fan Noise (dB)	30

