



Akasa Lo-Noise Intel® LGA1700 Cooler, up to 77W TDP

\$19.95

Product Images



Short Description

AK-CC6603EP01

Designed for Intel® Core™ processors up to 77W

Description

AK-CC6603EP01

Designed for Intel® Core™ processors up to 77W

Features

Lo-Noise and Efficient Cooling

Combines lo-noise, efficient cooling with great value. Designed to work with CPU's up to 77W thermal design but greater cooling efficiency can be attained with efficient case airflow. Perfect for workstation desktop systems.

Intelligent and Optimised Design

Hi-performance and engineered aluminium heatsink with bi-ped fins, coupled with 95mm fan that features intelligent PWM function, delivers as much air as needed at any given time to cool the CPU. Coupled with hi-grade thermal interface pre-applied. Ensuring that the cooler delivers outstanding cooling performance.

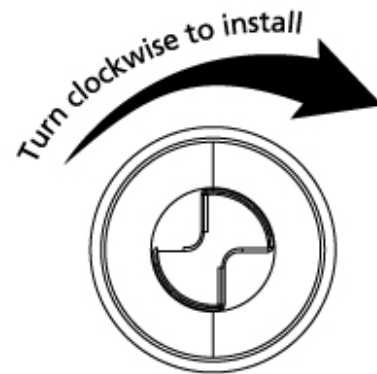
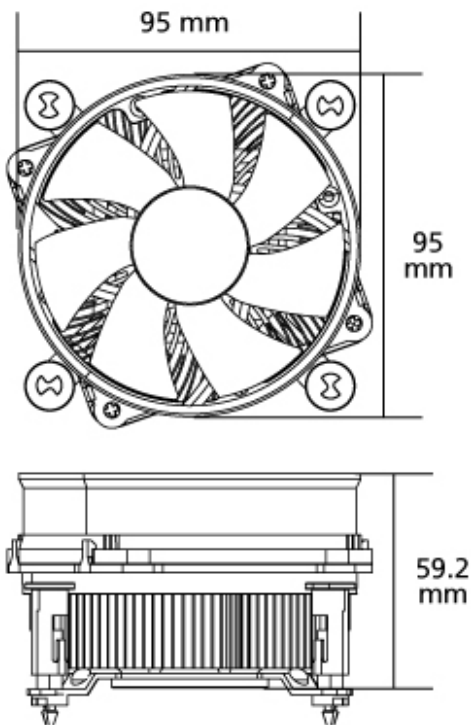
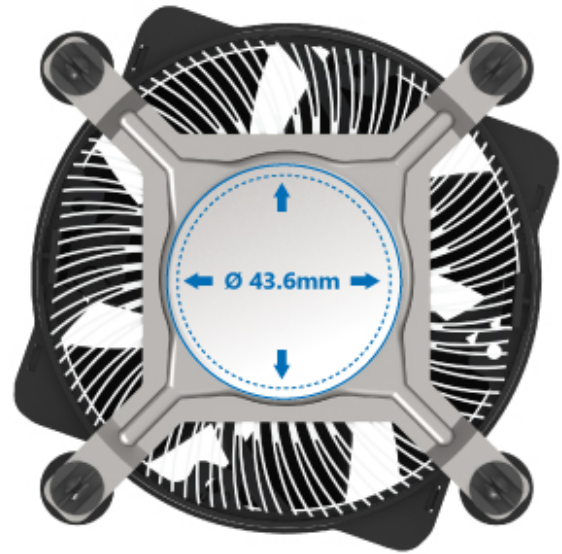
New and Easy Mounting Design

New push-pin design to cater for the Intel® LGA1700.

Array of Compatibility

Supports common desktop motherboards such as ATX, Micro-ATX, Mini-ITX, and Thin Mini-ITX.


- Height of the cooler is only 59.2mm
- Compatible with Intel® LGA 1700
- Intelligent PWM and silent fan
- 95mm low noise PWM fan



Tool Free Push-Pin


Aluminium
Heatsink


Aluminium
Core


43.6
mm
Core
Diameter


59.2
mm
Height


Compact
Design


77W TDP

akasa

Specifications

Socket Type	Intel® LGA 1700
Cooler Dimension	95 x 95 X 59.2mm
Heatsink Material	Aluminium
Thermal Design Point (TDP) Support	77W
Weight	299.8g
Installation	Push Pins
Fan Dimension	Ø95 x 25mm
Fan Speed	600-3000 RPM (PWM controlled)
Max Airflow	53.62 CFM
Max Air Pressure	4.87 mm H2O
Max Noise Level	36.6 dB(A)
Current Rating	0.26A
Voltage Rating	12V DC
Bearing Type	EBR (Enter Bearing)
Fan Life Expectancy	40,000 hours
Fan Connector	4-Pin PWM
Product Code	AK-CC6603EP01

Additional Information

Brand	Akasa
SKU	AK-CC6603EP01
Weight	1.6000
Color	Black
Heatsink Type	CPU Heatsink
Compatibilty	LGA 1700
Material	Aluminum
Fan Dimensions	95mm
Fan Connection	4-Pin PWM
Fan RPM	600-3000 (PWM CONTROLLED)
Fan CFM	53
Fan Noise (dB)	36

