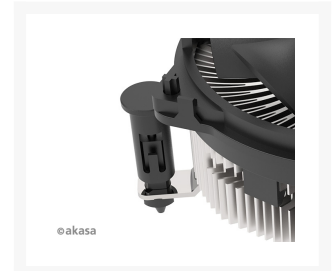




Akasa Copper Core Cooler for Intel® LGA1700, up to 125W TDP

\$30.95

Product Images



Short Description

Intel® cooler with twin ball bearing PWM fan designed for Core™ i9 processors up to 125W TDP.

Description

Intel® cooler with twin ball bearing PWM fan designed for Core™ i9 processors up to 125W TDP.

Features

Lo-Noise and Efficient Cooling

Combines lo-noise, efficient cooling with great value. Designed to work with CPU's up to 125W thermal design but greater cooling efficiency can be attained with efficient case airflow. Perfect for workstation desktop systems.

Intelligent and Optimised Design

Hi-performance and engineered aluminium heatsink with bi-ped fins to double the dissipation area, coupled with 90mm fan that features intelligent PWM function, delivers as much air as needed at any given time to cool the CPU. Coupled with hi-grade thermal interface pre-applied. Ensuring that the cooler delivers outstanding cooling performance.

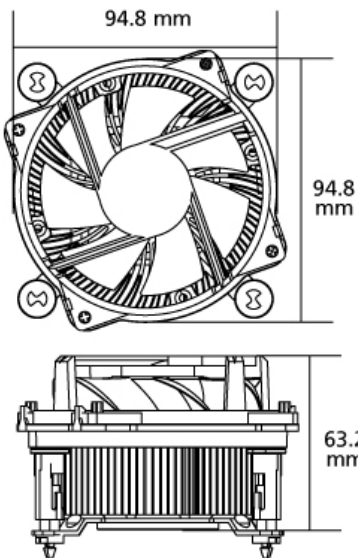
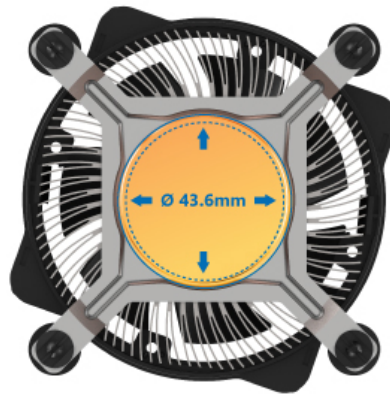
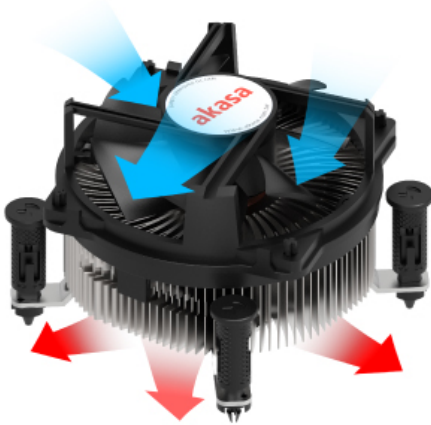
New and Easy Mounting Design

New push-pin design to cater for the Intel® LGA1700.

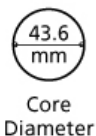
Array of Compatibility

Supports common desktop motherboards such as ATX, Micro-ATX, Mini-ITX, and Thin Mini-ITX.

- Height of the cooler is only 63.2mm
- Large full-height copper core for rapid heat dissipation
- Compatible with Intel® LGA 1700
- Intelligent PWM and silent fan
- 90mm lo-noise and durable PWM fan



Tool Free Push-Pin



Specifications

Socket Type	Intel® LGA 1700
Cooler Dimension	94.8 x 94.8 x 63.2mm
Heatsink Material	Aluminium with copper core
Thermal Design Point (TDP) Support	125W
Weight	439.1g
Installation	Push Pins
Fan Dimension	Ø90 x 25mm
Fan Speed	500-3400 RPM (PWM controlled)
Max Airflow	40.90 CFM
Max Air Pressure	3.81 mmH2O
Max Noise Level	36 dB(A)
Current Rating	0.38A
Voltage Rating	12V DC
Bearing Type	Twin Ball Bearing
Fan Life Expectancy	80,000 hours / 25°C
Fan Connector	4-Pin PWM
Product Code	AK-CC6606BP01

Additional Information

Brand	Akasa
SKU	AK-CC6606BP01
Weight	1.6000
Color	Black
Heatsink Type	CPU Heatsink
Compatibilty	LGA 1700
Material	Copper/Aluminum
Fan Dimensions	90mm
Fan Connection	4-Pin PWM
Fan RPM	500-3400 (PWM CONTROLLED)
Fan CFM	40
Fan Noise (dB)	36

