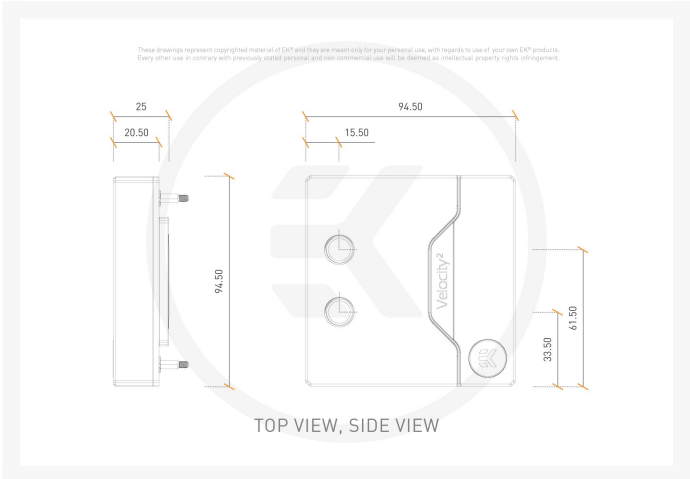
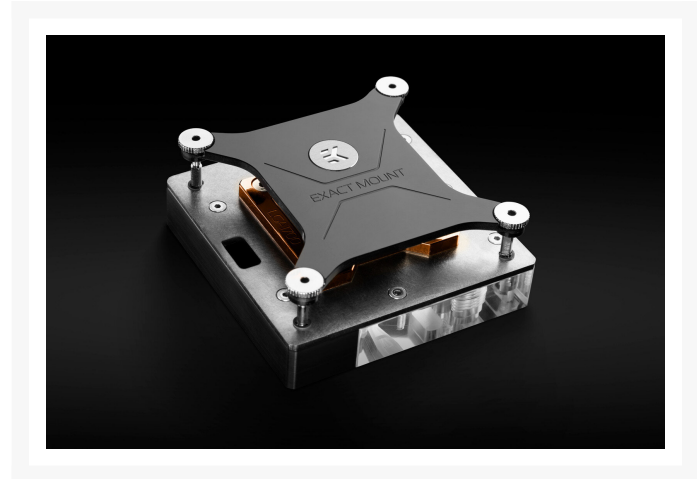
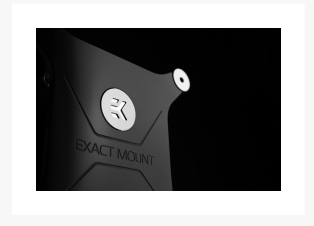
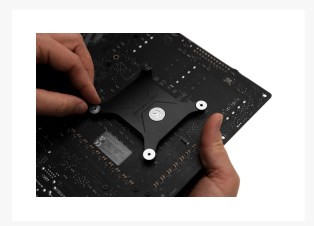
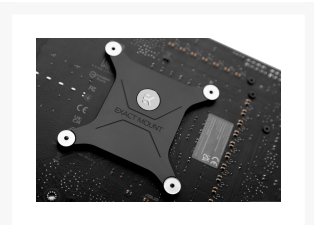




EK-Quantum Velocity² D- RGB - 1200 Nickel + Acetal

\$146.99

Product Images



Short Description

EK-Quantum Velocity² D-RGB - 1200 Nickel + Acetal is the new high-performance premium quality CPU water block for the Intel® socket LGA 1200-based platform. It features a next-generation cooling engine that is socket-specific. This CPU water block is EK-Matrix7 compliant and is mounted via a patent-pending EK Exact Mount system.

Description

EK-Quantum Velocity² D-RGB - 1200 Nickel + Acetal is the new high-performance premium quality CPU water block for the Intel® socket LGA 1200-based platform. It features a next-generation cooling engine that is socket-specific. This CPU water block is EK-Matrix7 compliant and is mounted via a patent-pending EK Exact Mount system.

OptiFlow Cooling Engine

EK-Quantum Velocity² series CPU water blocks embed the next generation cooling engine named OptiFlow. They use a specific combination of mounting pressure and coldplate geometry tailored for the IHS and die layout of Intel LGA 1200 socket processors. Low hydraulic flow restriction enables these products to be used in setups using weaker water pumps or lower pump speeds for added silent operation, while still achieving top performance! The lathe-turned coldplate is made with precision to effectively cover the IHS and put pressure on the die area.

The Velocity² series water blocks cover the entirety of the socket while conforming to Intel guidelines about safe zones.

Water Block Material and Manufacturing

The coldplate is manufactured out of the highest-grade 99.99% pure electrolytic copper, machined with precision for the best possible contact and heat transfer. This version of the water block features a cold plate with a CNC-machined black POM acetal top piece.

EK-Matrix7

The EK-Quantum Velocity² is an EK-Matrix7 compatible product. The EK-Matrix7, a product raster that is bound to set a new standard. EK is adding a new dimension to PC liquid cooling, where the height of products and the distance between ports are managed by increments of 7mm. This improves product alignment and reduces the time spent planning the loop and bending tubes. Through the meticulous planning of our products, building a liquid-cooled PC becomes easy and fun, just like toy bricks.

EK-Quantum Velocity² Patent-pending Mounting

EK-Exact Mount is a patent-pending mounting system designed and engineered by EK in the search for an easy-to-use, but aesthetically pleasing mounting mechanism. It's made up of only three pieces - backplate, mounting screws, and the water block itself. It's screwed in from the back allowing for a seamless and clean front aesthetic without any screws disrupting the harmony of shape. The system uses pre-tensioned springs concealed in the water block top, so with just a few turns of the thumb-nuts, the installation is finished, and you get the exact mounting pressure needed.

Features

EK-Quantum Velocity² D-RGB LED Lighting

This product is compatible with all popular addressable RGB sync technologies from all major motherboard manufacturers. The arrow marking on the 3-pin D-RGB LED connector is to be aligned with the +5V marking on the D-RGB header. 14 addressable RGB LEDs are hidden under the stick-out piece, which acts as a diffuser.

Specifications

Technical specifications:

- D-RGB cable length: 50cm
- D-RGB connector 3-pin 5V digital LED header (Pinout: +5V | Digital | Blocked | Ground)
- Dimensions: (LxHxW) : 94.5 x 94.5 x 33mm

CPU socket compatibility:

- Intel LGA-1200
- Intel LGA-1150/1151/1155/1156

Enclosed:

- EK-Quantum Velocity² CPU water block
- Exact Mount universal CPU mounting mechanism
- EK-Velocity² Backplate
- 2.5mm Allen(HEX) key
- Jet-plate for LGA 1200
- Thermal grease Thermal Grizzly Hydronaut (1g)

Made in Slovenia - Europe!

PLEASE NOTE:

- This product should NOT be installed with any aluminum EK Fluid Gaming parts!
- The use of specifically engineered coolants that contain corrosion, scale, and biological inhibitors is mandatory to prevent damage to your nickel plated water block! EK is offering a selection of such products in the coolants section.
- The arrow marking on the 3-pin LED connector is to be aligned with the +5V marking on the D-RGB(A-RGB) header.

Additional Info

	Nickel Acetal
	G1/4
	Intel

Additional Information

Brand	EK Waterblocks
SKU	EK-QUANT-VEL2-DRGB-1200-NA
Weight	2.5000
Color	Black
CPU Series	Intel LGA-1200/1150/1151/1155/1156
Block CPU Type	Intel
Block Style	Nickel-Acetal
Vendor SKU/EAN	3831109857649

