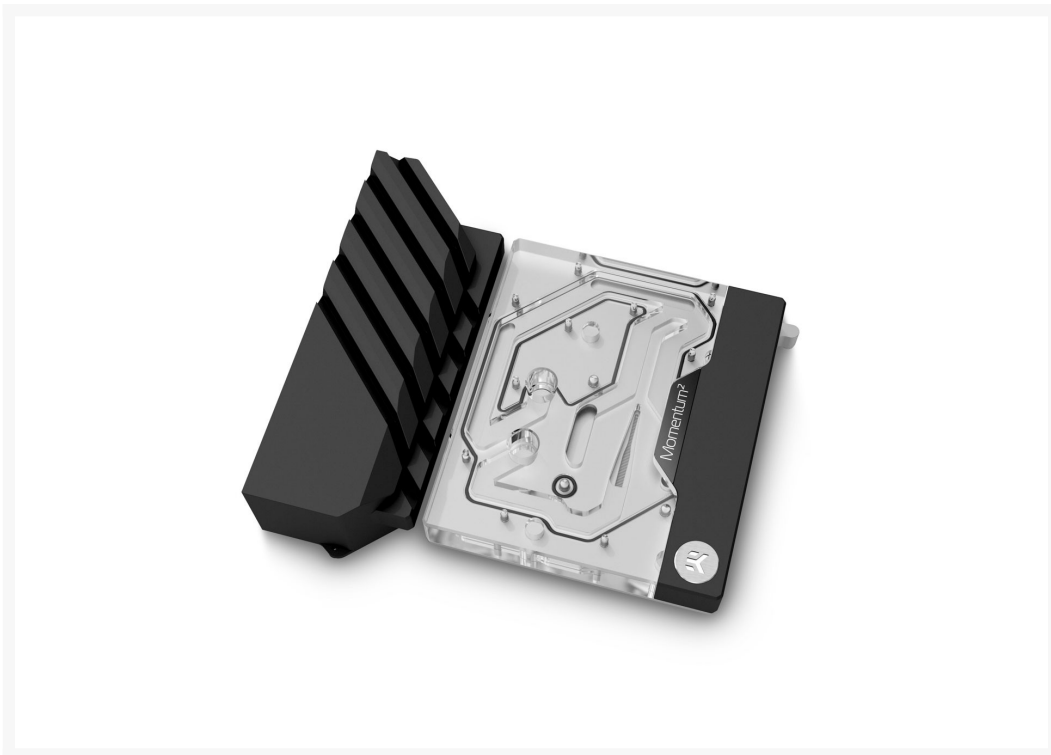


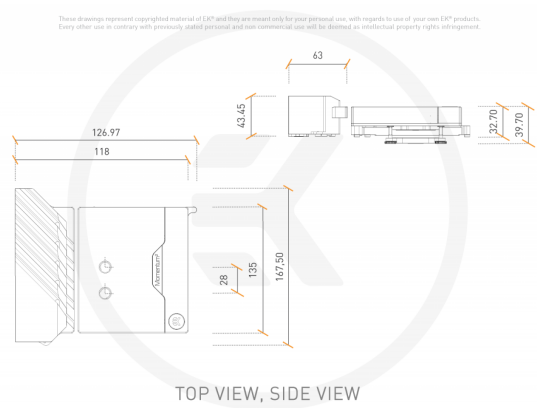


EK-Quantum Momentum² ROG Crosshair VIII Extreme D-RGB - Plexi

Special Price
\$154.96 was
~~\$249.99~~

Product Images





Short Description

EK-Quantum Momentum² ROG Crosshair VIII Extreme D-RGB is a Quantum Line monoblock specially designed for the [ROG Crosshair VIII Extreme](#) motherboard, featuring the newest Velocity² cooling engine with low restriction and high performance.

Description

Details

EK-Quantum Momentum² ROG Crosshair VIII Extreme D-RGB is a Quantum Line monoblock specially designed for the [ROG Crosshair VIII Extreme](#) motherboard, featuring the newest Velocity² cooling engine with low restriction and high performance. This is a complete all-in-one (CPU and motherboard) liquid cooling solution for AMD® Ryzen 5000 processors. This Momentum² monoblock is EK-Matrix7 compliant.

Features

EK-Quantum Momentum² ROG Crosshair VIII Extreme D-RGB is a Quantum Line monoblock specially designed for the [ROG Crosshair VIII Extreme](#) motherboard, featuring the newest Velocity² cooling engine with low restriction and high performance. This is a complete all-in-one (CPU and motherboard) liquid cooling solution for AMD® Ryzen 5000 processors. This Momentum² monoblock is EK-Matrix7 compliant.



This monoblock uses the latest generation of EK-Quantum Velocity² cooling engine to ensure the best possible CPU cooling while not reducing flow to other components. OptiFlow cooling engine uses a specific combination of mounting pressure and coldplate geometry tailored for the IHS and die layout of AM4 socket processors. This monoblock provides cooling for the voltage regulation module, Ryzen 5000 series CPU, as well as the LAN controller chip via an add-on metal heatsink that is linked to the monoblock. This large metal heatsink replaces the factory-mounted I/O cover.



Liquid flows directly over all critical areas, providing the enthusiasts with a great solution for high and stable overlocks. Like with every EK monoblock, the EK-Quantum Momentum² ROG Crosshair VIII Extreme D-RGB features a high flow design and it can be easily used with the system using weaker water pumps or lower pump speed settings as well. The Quantum Momentum² monoblock also comes with sophisticated D-RGB (addressable) lighting with a total of 8 LEDs. They connect to a standard 3-pin 5V D-RGB addressable header, named Aura Gen2 header on this ROG motherboard.



The base of the monoblock is made of nickel-plated electrolytic copper while the top is made of quality cast acrylic material. The nickel-plated brass screw-in standoffs are pre-installed and allow for easy installation.



Unlike other solutions on the market, this is a true one-piece, sturdy and reliable liquid cooling product that requires only two connector fittings for proper operation. For the CPU, please use the enclosed (electrically non-conductive) thermal grease EK-TIM Ectotherm.



This product is compatible with ASUS Aura Sync RGB control software. The arrow marking on the 3-pin LED connector is to be aligned with the +5V marking on the AURA addressable Gen2 LED header.

Specifications

Technical specifications:

- Dimensions: (LxHxW) - 118 x 135 x 32,5mm

- D-RGB cable length: 500mm
- D-RGB LED count: 8
- D-RGB connector standard 3-pin (+5V, Data, Blocked, Ground)

Enclosed:

- EK-Quantum Momentum² ROG Crosshair VIII Extreme D-RGB Monoblock
- Mounting mechanism
- Thermal grease EK-TIM Ectotherm
- Thermal pads
- Backplate

Made in Slovenia - Europe!

PLEASE NOTE:

- The use of specifically engineered coolants that contain corrosion, scale, and biological inhibitors is mandatory to prevent damage to your nickel-plated water block! EK is offering a selection of such products in the [coolants](#) section.
- This product should NOT be installed with any aluminum EK Fluid Gaming parts!
- Fittings and Plugs are not included! Two fittings are required for proper operation. Due to the immense variety of fittings/barbs available on market and no prescribed standards, we guarantee compatibility only for connectors bought from our website.
- Using delidded CPUs with monoblocks is not recommended as it can lead to poor cooling contact and performance.
- The arrow marking on the 3-pin LED connector is to be aligned with the +5V marking on the D-RGB(A-RGB) header.

Additional Info

	Nickel Plexi
	G1/4
	AM4, AMD

Additional Information

Brand	EK Waterblocks
SKU	EK-MOM2-ROG-CROSSHAIR-VIII-EXT-DRGB-P
Weight	3.0000
Color	Black
Chipset Motherboard	ROG Crosshair VIII Extreme
Block Style	Nickel-Plexi
Material	Acrylic, Copper
Vendor SKU/EAN	3831109892374
Special Price	\$154.96

