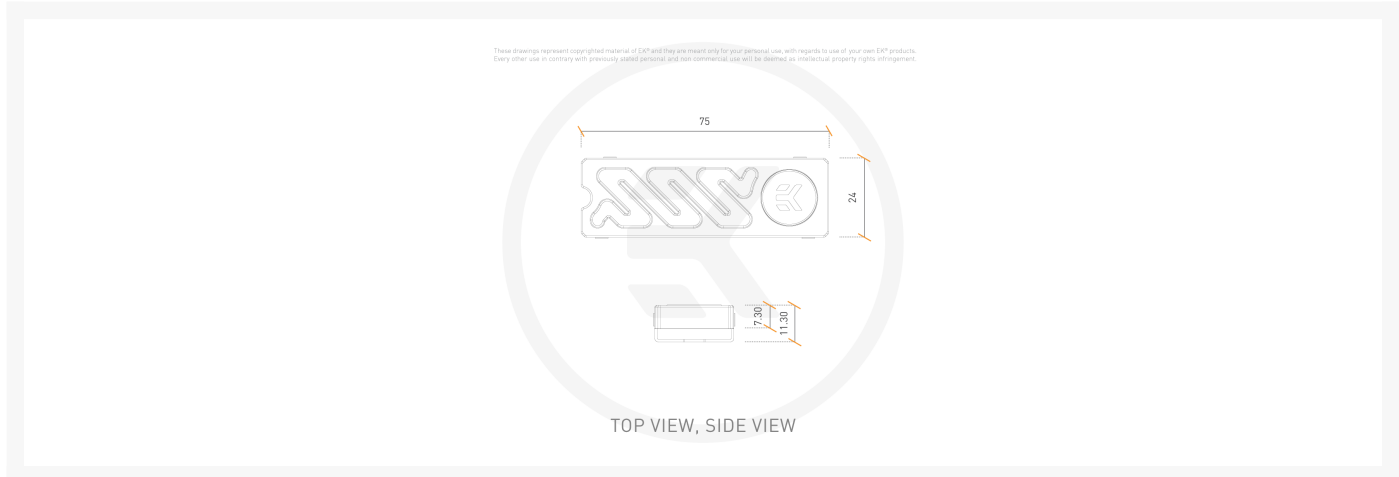
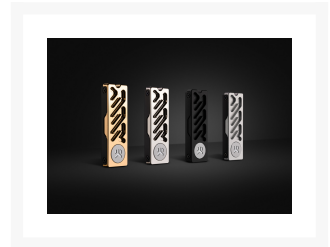




EK-Quantum Convection M.2 NVMe- Black

\$35.99

Product Images



Short Description

The EK-Quantum Convection M.2 NVMe is a passive aluminum heatsink for M.2 NVMe solid state drives.

Description

Details

The EK-Quantum Convection M.2 NVMe is a passive aluminum heatsink for M.2 NVMe solid state drives. Although it's not a water cooling component, it is a much-needed aesthetic and cooling solution for many PC owners. It's no secret that M.2 NVMe SSDs can easily overheat and be subdued to thermal throttling, thus losing performance. However, this latest heatsink will completely prevent thermal throttling in cases with sufficient airflow or otherwise significantly prolong the time before thermal throttling of the SSD occurs.



Features

It is simple to install, low profile, easily reusable, and aesthetically non-intrusive. The heatsink uses a clever design where flipping the backplate will realign the mounting holes on the backplate to another set of screw holes on the heatsink. This will move the backplate away from the main body of the heatsink, allowing for more space and installation on double-sided SSDs.



The heatsink is CNC-machined out of high-grade aluminum and has a finely-textured anodized satin black finish. The backplate is also made of aluminum with a black anodized finish. Its unique Quantum-like design makes this heatsink the perfect addition to your build. The simple, understated look makes it sleek and non-intrusive, while the compact design makes it highly compatible and does not interfere with other components.

Compatibility

The EK-Quantum Convection M.2 NVMe is compatible with all single- and double-sided 2280 M.2 NVMe SSDs (22mm wide, 80mm long). Because the heatsink consists of a front piece and backplate, the compatibility is limited to M.2 (NGFF) connectors with 4.2mm height (as seen in the examples). Also, capacities of up to 4TB were tested and found compatible.

What Is a Single and What Is a Double-Sided M.2 SSD?

Single-sided M.2 NVMe SSDs only have chips on one side of the PCB. This means all the storage and controller electronics are placed on one side of the drive, hence the name, single-sided. These drives are smaller and generate less heat. Double-sided M.2 NVMe drives have chips on both sides of the PCB. These drives usually offer more storage capacity by adding flash memory storage chips on both sides of the drive.

Specifications

Technical Details:

Materials:

- Aluminum front cover
- Aluminum backplate

Enclosed:

- EK-Quantum Convection M.2 NVMe Heatsink - Black
- EK-Quantum Convection M.2 NVMe Backplate - Black
- 4x Mounting Screws M2x4mm
- 2x Thermal pad 0.5mm
- 2x Thermal pad 1mm

Additional Info

	Black
--	-------

Additional Information

Brand	EK Waterblocks
SKU	EK-QTM-CONV-M.2-NVME-HS-BK
Weight	0.1500
Color	Black
Heatsink Type	SSD/HDD/M.2 NVME
Material	Aluminum
Vendor SKU/EAN	3831109894606

