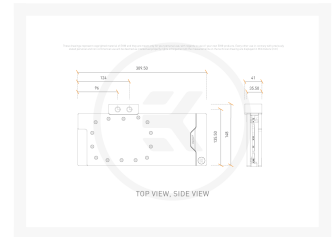
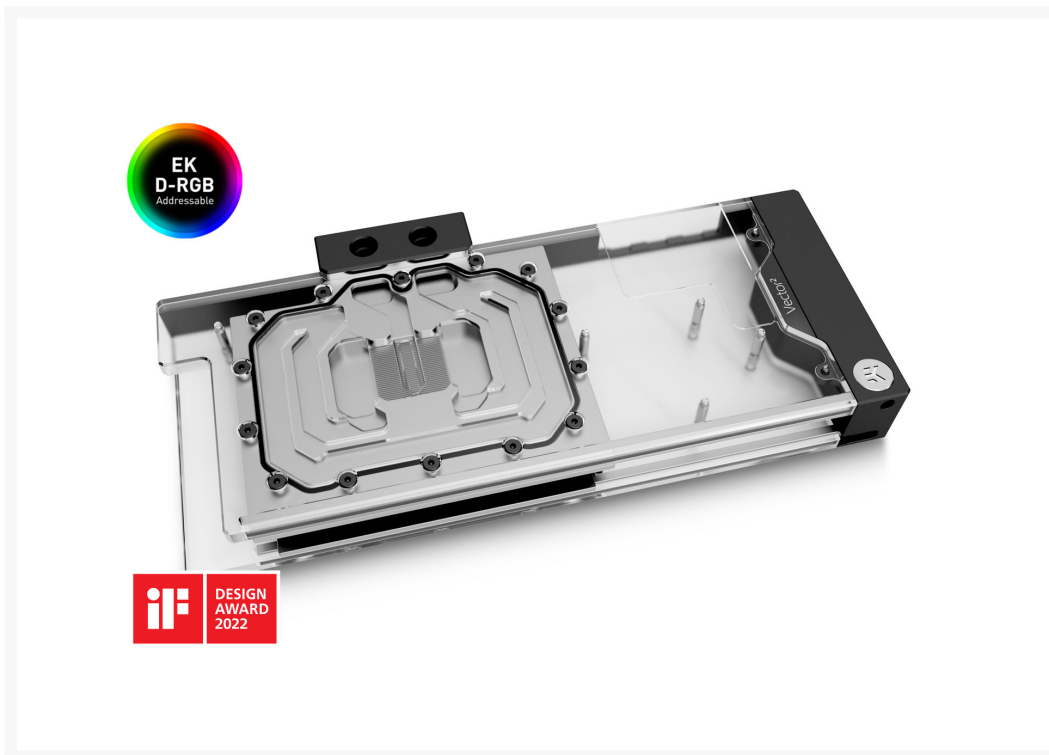




EK-Quantum Vector² Xtreme RTX 3080/90 D-RGB ABP Set - Nickel + Plexi

Special Price
\$302.00 was
~~\$399.99~~

Product Images



Short Description

This ultimate cooling set consists of a high-performance GPU water block and the latest generation of Active Backplate cooling solutions as a single enclosure.

The Ultimate GPU Cooling Enclosure

This ultimate cooling set consists of a high-performance GPU water block and the latest generation of Active Backplate cooling solutions as a single enclosure. The GPU backside cooling is now provided by a full-blown water block with its own copper cold plate and a full-length acrylic top. The connectivity is also taken to another level with the "Direct Link" terminals that implement a conventional 4-port layout, that allows serial and parallel connections from adjacent or opposing sides of the block.



The New Vector² water blocks effortlessly solve the issue of excessive heat generation, during high load, on both the GPU core, voltage regulation module, and the GDDR6X VRAM of the Aorus® Xtreme RTX 3080, RTX 3080 Ti, and RTX 3090 graphic cards.

Features

Technical and Visual Master Piece

The new look of the next-gen water blocks is dominated by minimalistic straight lines. An 11mm thick copper cold plate and a full-sized backplate water block are used for all Vector² GPU Active Backplate cooling enclosures. For Plexi versions, D-RGB Lighting is now deployed on the longest edge of both the front and backside water blocks for improved fidelity and brightness from every viewing angle. The LED PCB is concealed inside clean aluminum extrusions.

EK-Matrix7 Support

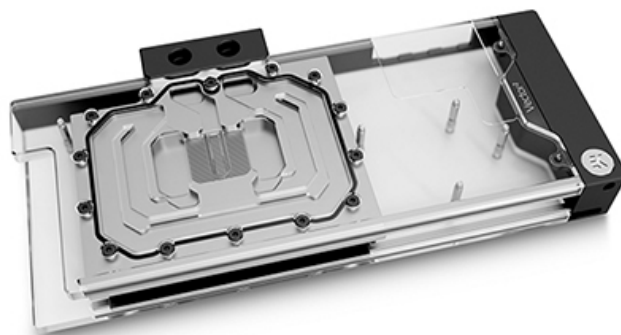
Matrix7 standardizes the dimensions of the products, including the port position and spacing, making liquid cooling loop assembly more intuitive and easier. EK-Quantum Vector² GPU cooling enclosures follow the EK-Matrix7 standard, making them seamlessly integrate with the upcoming 2nd generation of EK Reflection distribution plates. This brings compatibility with the EK vertical GPU mount | perfect alignment of ports in both horizontal or vertical positions, meaning less time used for planning of the loop, bending tubes, and the end result will still be an epic build.

What is Included in the Package

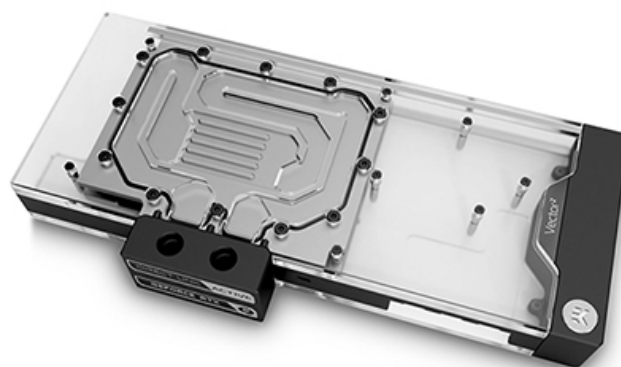
It includes an EK-Quantum Vector² Xtreme RTX 3080/90 D-RGB - Nickel + Plexi water block, EK-Quantum Vector² Xtreme RTX 3080/90 ABP - D-RGB - Nickel + Plexi, and the EK-Quantum Vector² Xtreme RTX 3080/90 ABP Side Cover - Black along with the mounting gear and necessary TIM.

EK-Quantum Vector² Xtreme RTX 3080/90 ABP Set D-RGB - Nickel + Plexi

The EK-Quantum Vector² Xtreme RTX 3080/90 ABP Set D-RGB - Nickel + Plexi GPU water block enclosure is compatible with Aorus Xtreme RTX 3080, 3080 Ti, and 3090 graphics cards. The Vector water block actively cools the GPU, VRAM (on the front), power stages, and chokes in the VRM (voltage regulation module), the PCB hotspots that are found on the backside of the GPU core, and the VRM (voltage regulation module). On the RTX 3090, the VRAM located on the backside is actively cooled, while the RTX 3080 gets cooling for the PCB located around the front-mounted VRAM. Cooling liquid is channeled over all these critical areas.



For a precise compatibility match of this water block, we recommend you refer to the [EK Cooling Configurator](#).



The implemented 3rd-generation Vector cooling engine uses a novel 3D machined acrylic insert to improve flow distribution and thermal performance. This new cooling engine is based on an Open Split-Flow design, but the asymmetric shape of the jet insert helps distribute an even flow between the first and last copper fins. The fin structure geometry has been optimized to provide even flow distribution with minimal losses and

optimal performances even when used in reversed water flow scenarios. It is also characterized by low hydraulic flow restriction, meaning it can be used with weaker water pumps or pumps running on low-speed settings, and still achieve top performance.

Great care was taken to achieve a symmetrical flow domain by utilizing an internal bridge to secondary components. This was done to ensure the cooling of secondary components without sacrificing flow distribution over the GPU core.

All Vector² GPU water blocks use a thick 11mm copper coldplate with an acetal terminal attached directly to it to create a robust assembly. A single o-ring design is used to create a seal between the cold plate and the water block top, reducing the number of failure points. This also means that you have seen the end of [stainless steel bridge plates](#) that were utilized on GPU water blocks before. This simple construction provides confidence during customization and maintenance.

Both cold plates of this GPU water block and the active backplate are CNC-machined out of high-quality, pure electrolytic copper which is then nickel-plated, while its top is CNC-machined out of glass-like cast acrylic. A black-anodized aluminum side cover is included with every active backplate to conceal the entire PCB and create a seamless enclosure.

Direct Link Terminal

These new Vector² GPU water block and active backplate sets feature a Direct Link flow solution - the first multiple block solution to implement a conventional 4-port terminal layout. That allows serial and parallel connections from adjacent or opposing sides of the block. It was made possible by the addition of a machined brass insert in the terminal itself that diagonally links the water block directly to the active backplate inside the acetal terminal. Direct Link proves invaluable when flexibility is required for the right setup, like in a case of a distribution plate or vertical GPU mount.



Rotatable Magnetic Covers

Sleek magnetic covers are used to conceal the terminal screws, which allows rotating the branding when the GPU water block and active backplate enclosure is inverted in the case, or being used on a vertical GPU mount.

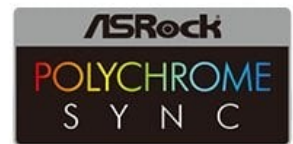


Addressable D-RGB Compatibility

Addressable D-RGB LED lighting is deployed on the longest edge of both top and backside water blocks for improved uniformity and brightness. The PCB and diodes are concealed inside a clean aluminum extrusion. The individually addressable RGB LED is compatible with popular RGB sync technologies from all major motherboard manufacturers. The arrow marking on the 3-pin D-RGB LED connector is to be aligned with the +5V marking on the D-RGB (addressable) header (Pinout: +5V | Data | Blocked | Ground).



**MYSTIC
LIGHT**



Vector² Water Blocks Won an iF Design Award

EK's premium water blocks from the [Quantum Vector² product line](#) boast an [iF Design Awards for 2022](#). These prestigious awards signify top-tier design levels delivered by our products to both consumers and the design community. Not only do Vector² water blocks have aesthetically pleasing looks to deserve these awards, but they also bring patent-pending technologies and valuable features to the table.



Warning:

- | |
|--|
| <ul style="list-style-type: none">• EK only guarantees compatibility with included EK-brand thermal pads. The installation process, cooling performance, and block contacts are tested exclusively with EK-brand thermal pads.• Listed thermal pad thicknesses apply only to EK thermal pads which are included in the package.• EK does not guarantee compatibility with aftermarket alternatives for thermal interface material. |
|--|

Specifications

Enclosed:

- EK-Quantum Vector² Xtreme RTX 3080/90 D-RGB - Nickel + Plexi water block
- EK-Quantum Vector² Xtreme RTX 3080/90 ABP D-RGB - Nickel + Plexi active backplate
- EK-Quantum Vector² Xtreme RTX 3080/90 ABP Side cover - Black
- Necessary mounting screws, nuts, and washers
- Thermal pad installation quick start guide
- 2x Nickel plated brass plug G1/4"
- EK-Loop Multi Allen Key (6mm, 8mm, 9mm)
- Thermal pads

Technical Specification:

- Dimensions: (LxHxW) : 308,5x148x41mm
- D-RGB LED count: 30
- D-RGB cable length: 50cm
- D-RGB connector 3-pin 5V digital LED header (Pinout: +5V | Data | Blocked | Ground)

Made in Slovenia - Europe!

PLEASE NOTE:

- This water block is not compatible with NVLink and NVIDIA SLI.
- Due to an immense variety of fittings/barbs available on the market and no prescribed standards, we

guarantee compatibility only for connectors bought from our website.

- Factory backplates are not compatible with this water block!
- This product should NOT be installed with any aluminum [Fluid Gaming](#) parts!
- The use of specifically engineered coolants that contain corrosion, scale, and biological inhibitors is mandatory to prevent damage to your nickel-plated water block! EK is offering a selection of such products in the [coolants](#) section.
- Make sure there is enough clearance for the Active Backplate to fit above the PCIe slot. This Active Backplate requires 15mm clearance across the block's entire length. The clearance is measured from the center of the PCIe slot, where the hole is located.

Additional Info

	Nickel Plexi
	G1/4
	Nvidia GeForce

Additional Information

Brand	EK Waterblocks
SKU	EK-QTM-VEC2-XTM-3080-90-ABP-SET-NP-D
Weight	4.0000
Color	Clear
Vga	Aorus® Xtreme RTX 3080, RTX 3080 Ti, and RTX 3090
Block GPU Type	Nvidia
Block Style	Nickel-Plexi
Vendor SKU/EAN	3831109896082
Special Price	\$302.00

