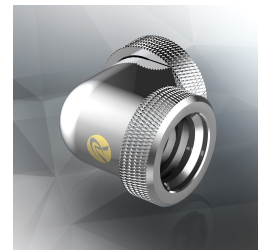
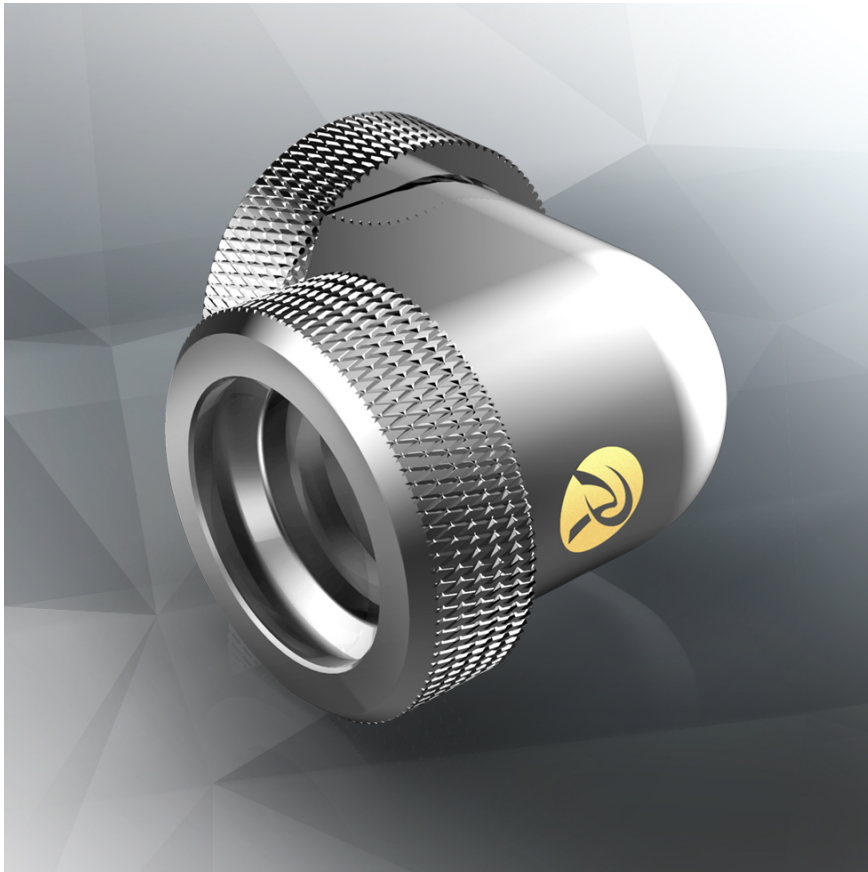


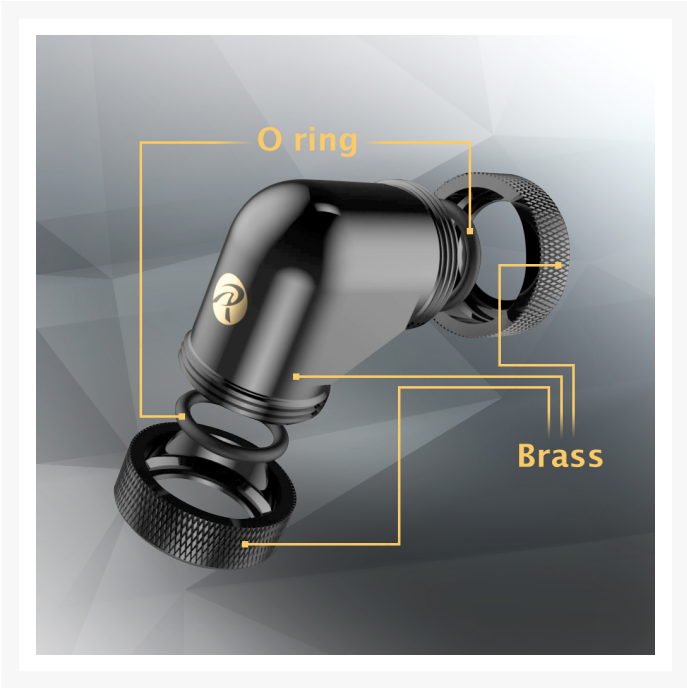


# Raijintek PELIAS SILVER 6 PACK - D160906 (16mm 90 degree copper fitting)

Special Price  
**\$33.57** was  
**\$47.95**

## Product Images





## Short Description

---

6pcs 90 degree brass fittings, compatible with OD 16mm hard tube.

## Description

---



**PELIAS BLACK - D160906**

**PELIAS SILVER - D160906**



**EVOKE YOUR  
PASSION.**

## Features

---



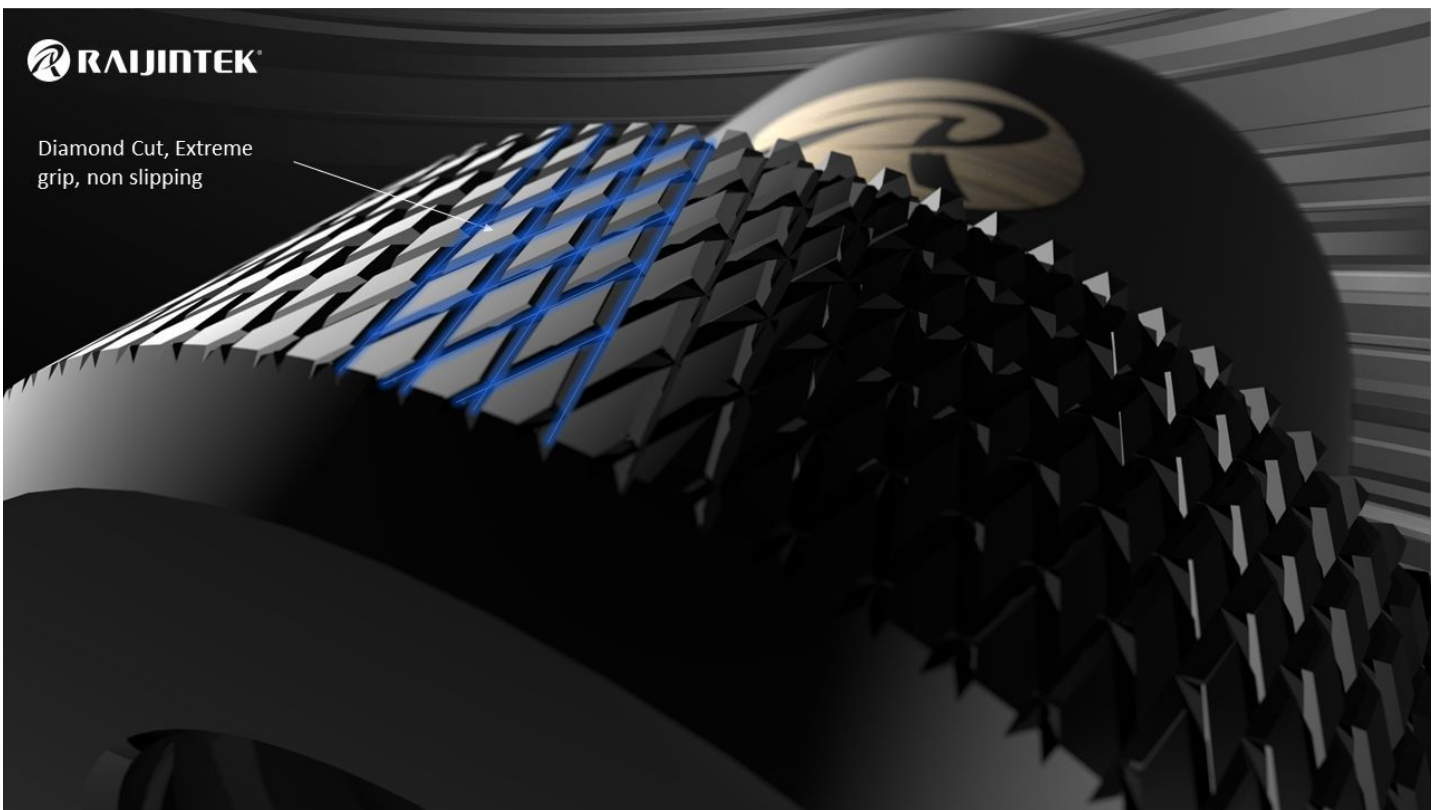
PELIAS BLACK - D160906



PELIAS SILVER - D160906

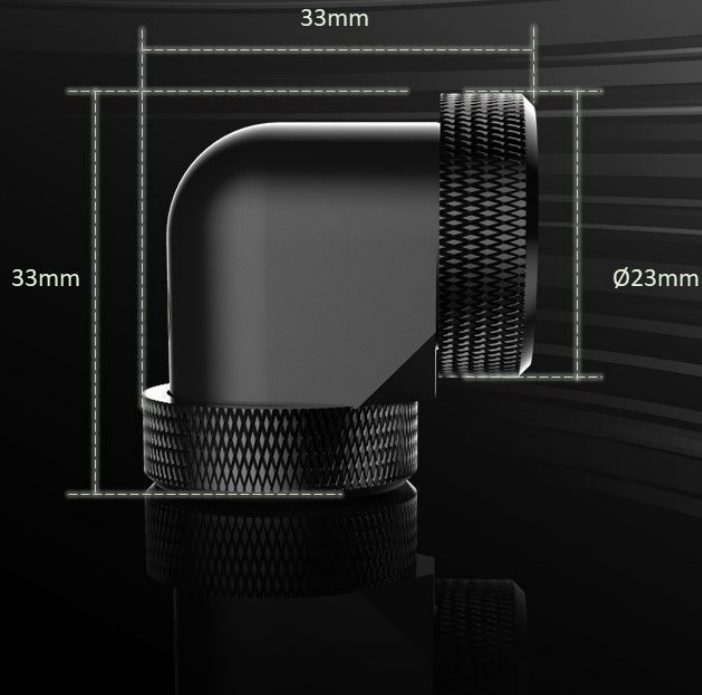
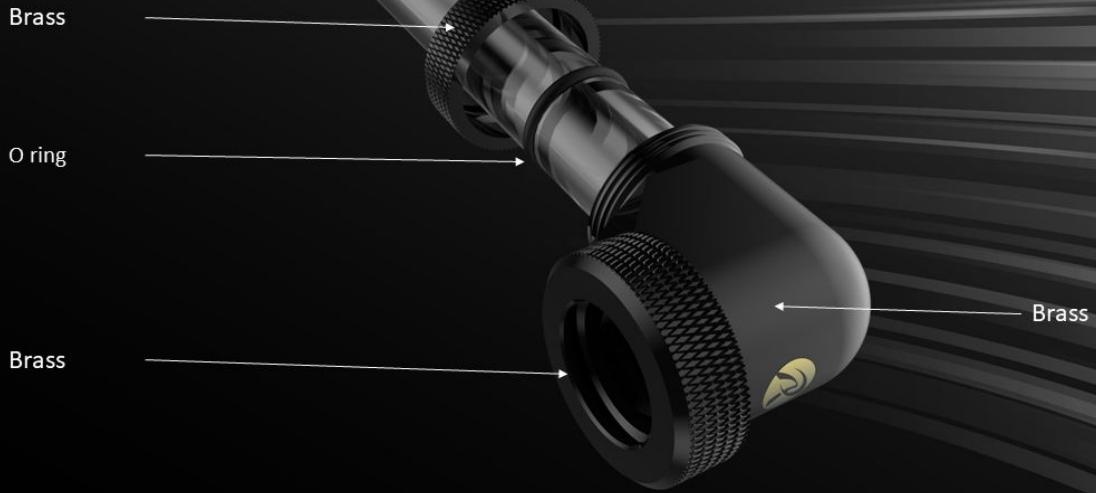
- 90 degree fitting \* 6pcs
- High-flow and leak-free
- G1/4 thread
- Compatible with OD 16mm hard tube
- Sturdy, reliable and friendly installation

Diamond Cut, Extreme grip, non slipping



## Specifications

---



**Dimension**

Ø23 x 33 H mm

**SPECIFICATION**

| Product Name   | PELIAS BLACK – D160906     | PELIAS SILVER – D160906    | PELIAS WHITE – D160906     |
|----------------|----------------------------|----------------------------|----------------------------|
| Product Number | OR40B00235                 | OR40B00237                 | OR40B00248                 |
| Dimension      | Φ23×33H mm                 | Φ23×33H mm                 | Φ23×33H mm                 |
| Screw Threads  | G 1/4"                     | G 1/4"                     | G 1/4"                     |
| Material       | Brass                      | Brass                      | Brass                      |
| Weight         | 50g/pcs                    | 50g/pcs                    | 50g/pcs                    |
| Compatibility  | 16mm OD 10mm ID hard tubes | 16mm OD 10mm ID hard tubes | 16mm OD 10mm ID hard tubes |

## Additional Information

---

|                |                |
|----------------|----------------|
| Brand          | Raijintek      |
| SKU            | RJK-0R40B00237 |
| Weight         | 1.0000         |
| Special Order  | No             |
| Fitting Type   | Compression    |
| Fitting Size   | 16mm           |
| Fitting Finish | Silver         |
| Special Price  | \$33.57        |

