



Raijintek FLOW METER - WHITE

Special Price
\$11.89 was
~~\$16.99~~

Product Images



Short Description

This flow meter allows users to precisely monitor the flow rate in their loop and conveniently is compatible with G1/4 fittings.

Description





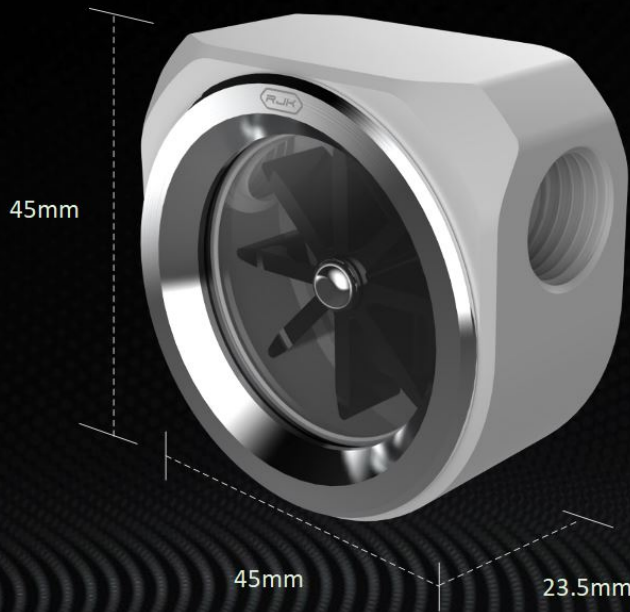
EVOKE YOUR
PASSION



Features



Friendly installation



Dimension

45 L x 45 W x 23.5 H mm

Specifications



RJK - FLOW METER BLACK



RJK - FLOW METER WHITE

SPECIFICATION

Product Name	RJK - FLOW METER BLACK
Product Number	OR40B00250
Material	POM / Aluminium
Dimension	45 L x 23.5 W x 45 H mm
Threads	G ¼"
Compatibility	G ¼"
Weight	45g/pcs

Product Name	RJK - FLOW METER WHITE
Product Number	OR40B00251
Material	POM / Aluminium
Dimension	45 L x 23.5 W x 45 H mm
Threads	G ¼"
Compatibility	G ¼"
Weight	45g/pcs

Additional Information

Brand	Raijintek
SKU	RJK-OR40B00251
Weight	0.1000
Special Order	No
Fitting Type	Connector
Fitting Size	G1/4 to G1/4
Fitting Finish	White
Special Price	\$11.89

