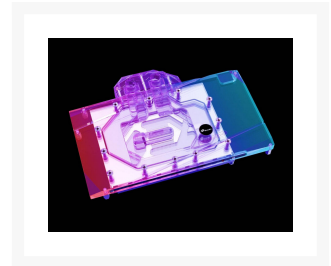
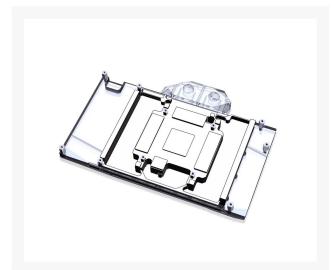
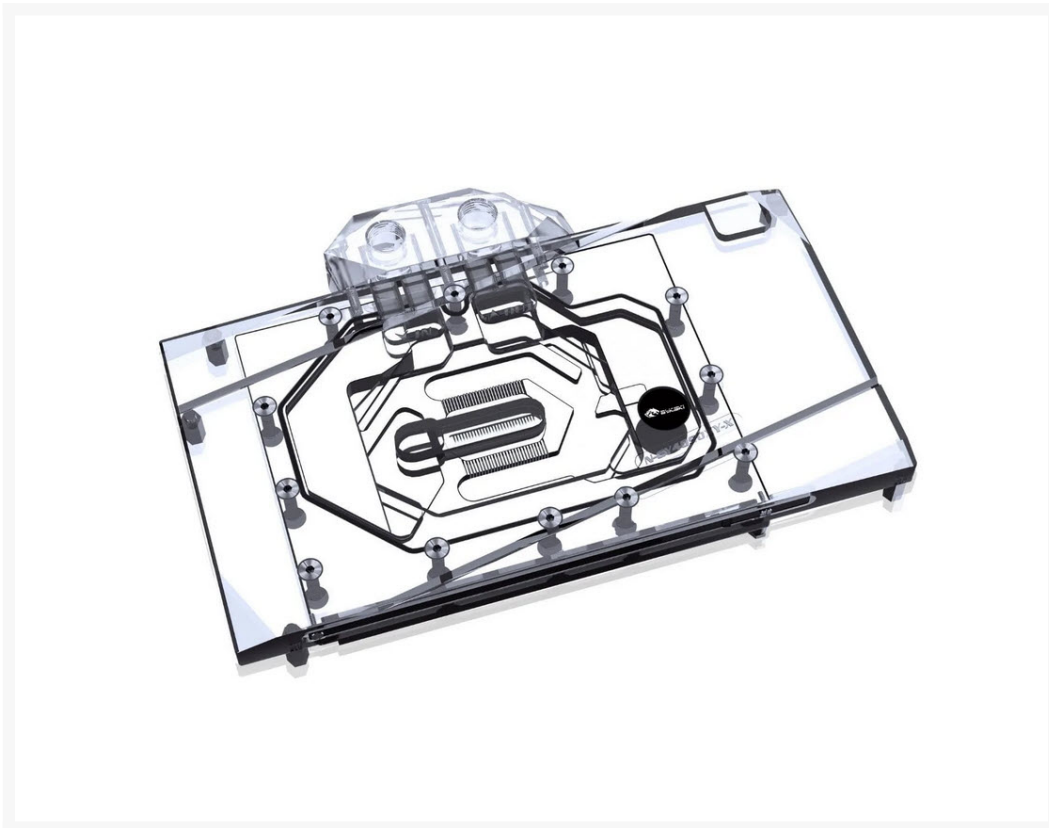




Bykski Full Coverage GPU Water Block and Backplate for GALAXY GeForce RTX 4090 Xingyao (N-GY4090XY-X)

\$189.99

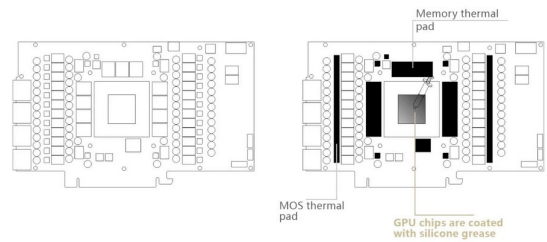
Product Images



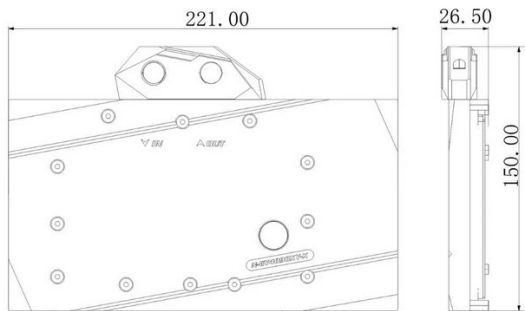
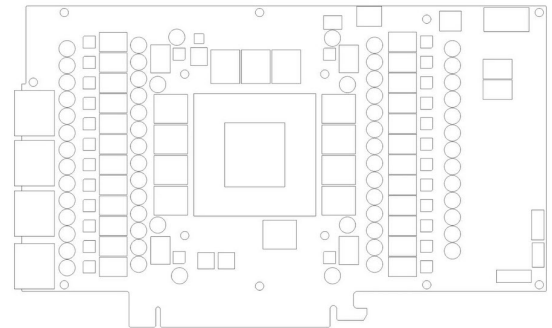
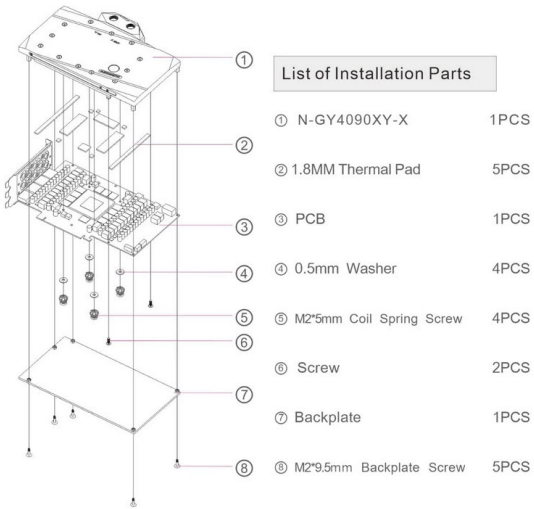


Before using silicone grease

After using silicone grease



Clean up the original circuit and chip residue
Cut the heat conducting strip into proper size



Short Description

This full coverage block directly cools the video cards core (GPU), graphics memory (RAM), and voltage regulator modules (VRM). By directly cooling these components you can achieve great temperatures along with the ability to reach higher overlocks or extend the overall lifespan of your card by running at below factory temps.

Description

This full coverage block directly cools the video cards core (GPU), graphics memory (RAM), and voltage regulator modules (VRM). By directly cooling these components you can achieve great temperatures along with the ability to reach higher overlocks or extend the overall lifespan of your card by running at below factory temps.

The block is constructed of high-purity copper that is nickel electroplated to prevent oxidation. A high-flow design is used to allow multiple blocks to run in series. Top and bottom ports can be used to configure parallel or serial designs in multi-block setups.

Features

Features

- Finest Craftsmanship
- Designed to Fit Standard G1/4 Thread Fittings
- SLI/Crossfire Compliant

Specifications

Specifications

- Block Material: Nickel Electroplated High Purity Copper / Clear Acrylic
- Backplate Material: Black Anodized Aluminum (not in contact with coolant)

Compatibility

- *(Including but not limited to the following models)*
- GALAXY GeForce RTX 4090 Xingyao
- Please check over the entire PCB picture after narrowing your selection to ensure compatibility. If you have any questions, please contact support for confirmation.
- *Compatibility based on these circuit board designs only*
- Fittings: G 1/4in. Thread

Parts Included

- 1x Full Coverage GPU Water Block

- 1x Backplate
- 2x Stop Fitting
- 1x Mounting Hardware
- Thermal grease
- 1x 5v A-RGB (RBW) Light
- (Warning: Addressable RGB (RBW) is 5V and is ONLY compatible with Addressable RGB (RBW) components. RGB is 12V and is ONLY compatible with RGB components. Mix and match will NOT work and will cause damage.

Warnings

This is a repair or replacement only item. Returns are not accepted on compatibility issues or if the block has had water/fluid run through it.

The manufacturer reserves the right to alter block design to expand compatibility. The delivered item may not 100% match the pictured item. Product does NOT come with English instructions. Please see product gallery images for install guide if available. Generally, thermal pads should be installed on the card where the block has corresponding raised contact points except the GPU core, which uses thermal paste. Installing pads on other components can lead to improper contact and poor performance.

Not responsible for any damage caused by or when using this product. Please use it at your own risk.

Additional Information

Brand	Bykski
SKU	N-GY4090XY-X
Weight	5.0000
Color	Silver
Vga	GALAXY GeForce RTX 4090 Xingyao
Block GPU Type	Nvidia
Block Style	Nickel-Plexi

