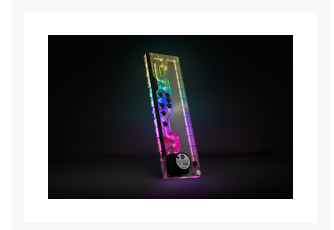


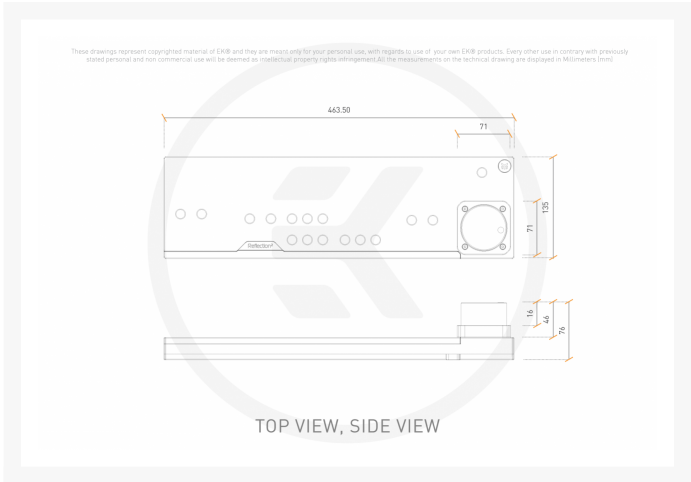


EK-Quantum Reflection² 7000D D5 PWM D-RGB - Plexi

\$485.99

Product Images





Short Description

EK®, the premium water-cooling gear manufacturer, is launching the EK-Quantum Reflection² 7000D D5 PWM D-RGB - Plexi, a fully integrated water-cooling reservoir, coolant routing, and pump solution made to fit several Corsair cases.

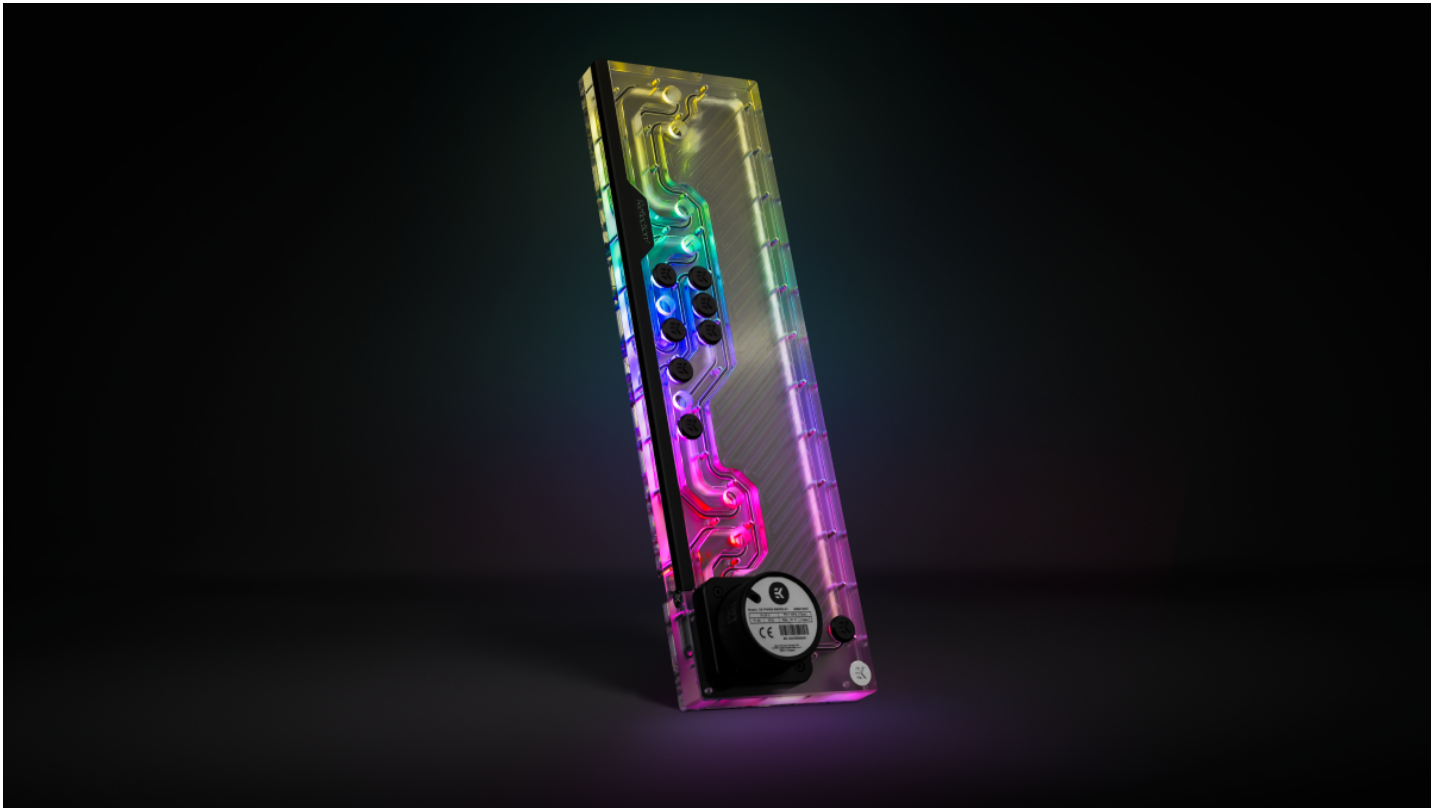
Description

Details

EK®, the premium water-cooling gear manufacturer, is launching the EK-Quantum Reflection² 7000D D5 PWM D-RGB - Plexi, a fully integrated water-cooling reservoir, coolant routing, and pump solution made to fit several Corsair cases. This distro plate is specifically designed to provide an advanced water-cooling solution with a market-leading D5 pump for users building custom liquid cooling loops with Corsair 7000D cases. This Reflection² distribution plate is [EK-Matrix7 compatible](#).

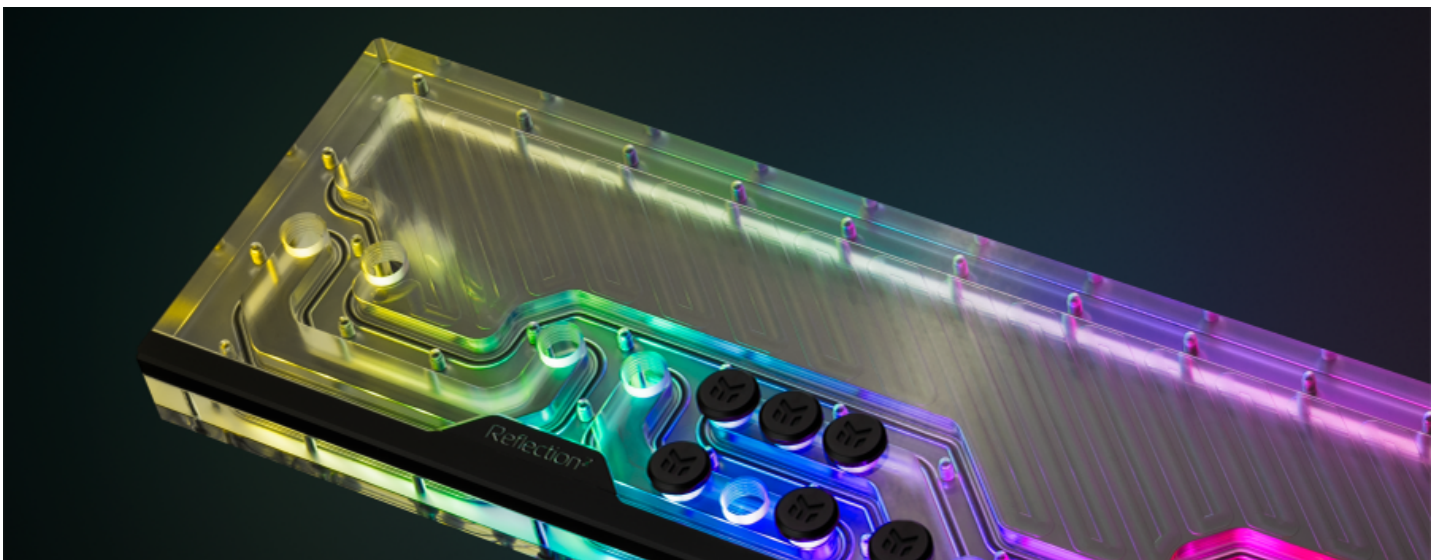
Supported Corsair cases:

- 7000D AIRFLOW
- iCUE 7000X RGB Tempered Glass



Features

The EK-Quantum Reflection² 7000D D5 PWM D-RGB offers multiple industry-standard G1/4" threaded inlets and outlets. The placement of these inlets and outlets is perfectly aligned to match the water-cooled PC components and minimize the number of bends the user has to make in order to create the perfect hardline loop. The distro plate synergizes well with the [EK-Loop Pre-Bent acrylic and metal tubes](#), further simplifying the loop-building process.



The radiator compatibility per case is as follows:

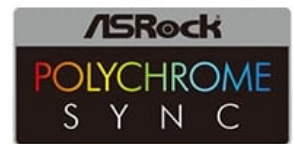
- Front: Up to EK-Quantum Surface X360
- Top: Up to EK-Quantum Surface X360



Engineered to be mounted next to the motherboard, the EK-Quantum Reflection² 7000D D5 PWM D-RGB – Plexi fits elegantly within Corsair 7000D and 7000X cases. The built-in addressable D-RGB LED strip runs down the unit's entire length, while the anodized black aluminum cover hides the unwanted LED hotspots. The installed addressable D-RGB LED strip connects to the motherboard 5V D-RGB (A-RGB) header via an industry-standard connector. It is compatible with all major motherboard vendor software for a coordinated lighting effect.



**MYSTIC
LIGHT**



Specifications

Reservoir:

- Dimensions with the attached pump (W x D x H): 135 x 76 x 464mm
- Reservoir volume: ~440ml
- D-RGB LED count: 22
- D-RGB cable length: 450mm
- D-RGB connector standard 3-pin (+5V, Data, Blocked, Ground)

Technical specifications:

- Motor: Electronically commuted spherical motor
- Rated voltage: 12V DC
- Power consumption: 23W
- Maximum pressure head: 3.9m
- Maximum flow: 1500L/h
- Maximum system temperature: 60°C
- Materials: Stainless steel, PPS-GF40, EPDM O-rings, Aluminum oxide, hard coal
- Power connector: SATA and 4-pin PWM FAN connector

Operational Regime:

- PWM duty cycle: ~ 20-100%
- Default behavior: Runs at 100% duty cycle when no PWM feedback signal is present

Enclosed:

- EK-Quantum Reflection² 7000D D5 PWM D-RGB - Plexi
- Mounting mechanism and tools
- 10x MS - Quantum Plug - Ni (preinstalled)
- 10x EK-Quantum Torque Plug Cover - Black (preinstalled)

Made in Slovenia - EU!

PLEASE NOTE:

- EK-Matrix7 compatible.
- The Quantum Reflection² distribution plates are designed around Quantum Torque fittings and EK-Quantum Surface radiators.
- The D5 pump is water lubricated; in other words, it uses a wet rotor design. Therefore, it is strongly recommended not to run the pump dry.
- The aluminum oxide mentioned in the materials specification for the D5 pump is not exposed to water and is perfectly safe to run in copper/nickel loops.

Additional Info

	Plexi
	G1/4

Additional Information

Brand	EK Waterblocks
SKU	EK-REFLECT2-7000D-D5-PWM-DRGB-PL
Weight	9.0000
Color	Clear
Reservoir Type	Distribution plate
Pump Type	Laing D5 PWM
Vendor SKU/EAN	3831109897423

