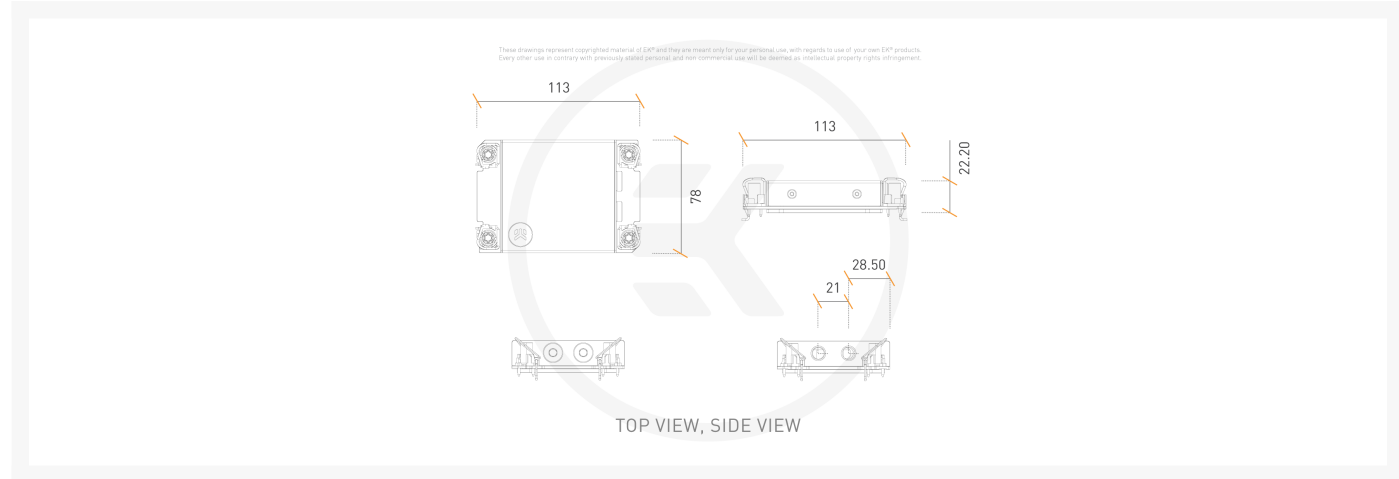




EK-Pro CPU WB 4677 Rack Ni + Acetal

\$133.51

Product Images

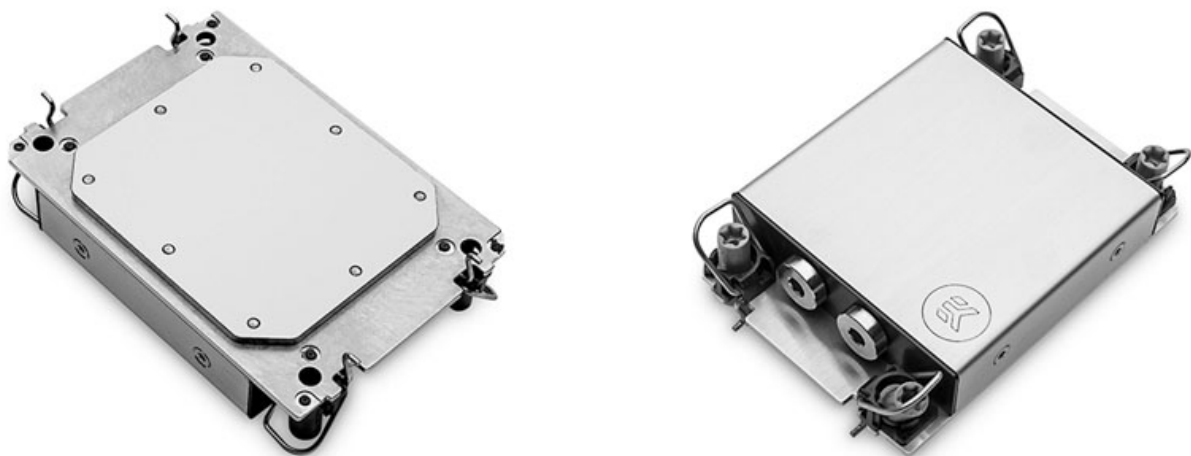


Short Description

The EK-Pro CPU WB 4677 Rack Ni + Acetal is a dedicated enterprise-grade water block with 1U chassis compatibility specifically developed for LGA 4677 Intel® Xeon processors. The core of the new CPU water block was refined to manage the growing heat dissipation of new processors and to upgrade connectivity options for server rack requirements. The new server/workstation-grade CPU water block is compatible with 1U chassis type and suitable for use in server racks.

Description

The EK-Pro CPU WB 4677 Rack Ni + Acetal is a dedicated enterprise-grade water block with 1U chassis compatibility specifically developed for LGA 4677 Intel® Xeon processors. The core of the new CPU water block was refined to manage the growing heat dissipation of new processors and to upgrade connectivity options for server rack requirements. The new server/workstation-grade CPU water block is compatible with 1U chassis type and suitable for use in server racks.



The EK-Pro CPU WB 4677 Rack Ni + Acetal water block features a total of 4 G1/8" threaded side ports for low-profile usage.

This enterprise cooling solution is built with performance, reliability, serviceability, and no compromises in mind. This water block meets these demands with top thermal performance and unparalleled connectivity, making it the perfect choice for liquid cooling high-density computing systems.

The EK-Pro CPU WB 4677 Rack Ni + Acetal water block features a precisely machined copper base (coldplate) made from the purest copper available on the market and is treated with nickel electroplating. The top is CNC machined from durable black POM Acetal, and the hold-down bracket is made of laser-cut stainless steel.

Intel® CPU socket compatibility:

- LGA 4677



Specifications

Enclosed:

- EK-Pro CPU WB 4677 Rack Ni + Acetal Water Block
- 1x EK plug G 1/4"
- EK-Loop Multi Allen Key (6mm, 8mm, 9mm)
- 1x Torx T30 Key - 1x 5mm Allen Key
- Thermal grease (1g)

PLEASE NOTE:

- This product should NOT be installed with any aluminum [Fluid Gaming](#) parts!
- The use of specifically engineered coolants that contain corrosion, scale, and biological inhibitors is mandatory to prevent damage to your nickel plated water block! EK is offering a selection of such products in the [coolants](#) section.

Additional Info

	Nickel Acetal
	G1/4
	Intel

Additional Information

Brand	EK Waterblocks
SKU	EK-PRO-CPU-WB-RACK-4677-NA
Weight	2.5000
Color	Black
CPU Series	Intel LGA 4677
Block CPU Type	Intel
Block Style	Nickel-Acetal
Vendor SKU/EAN	3831109861110

