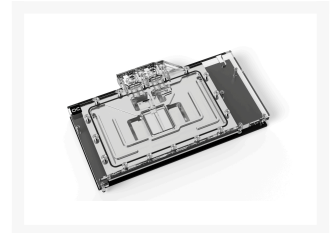
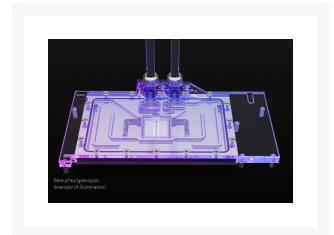
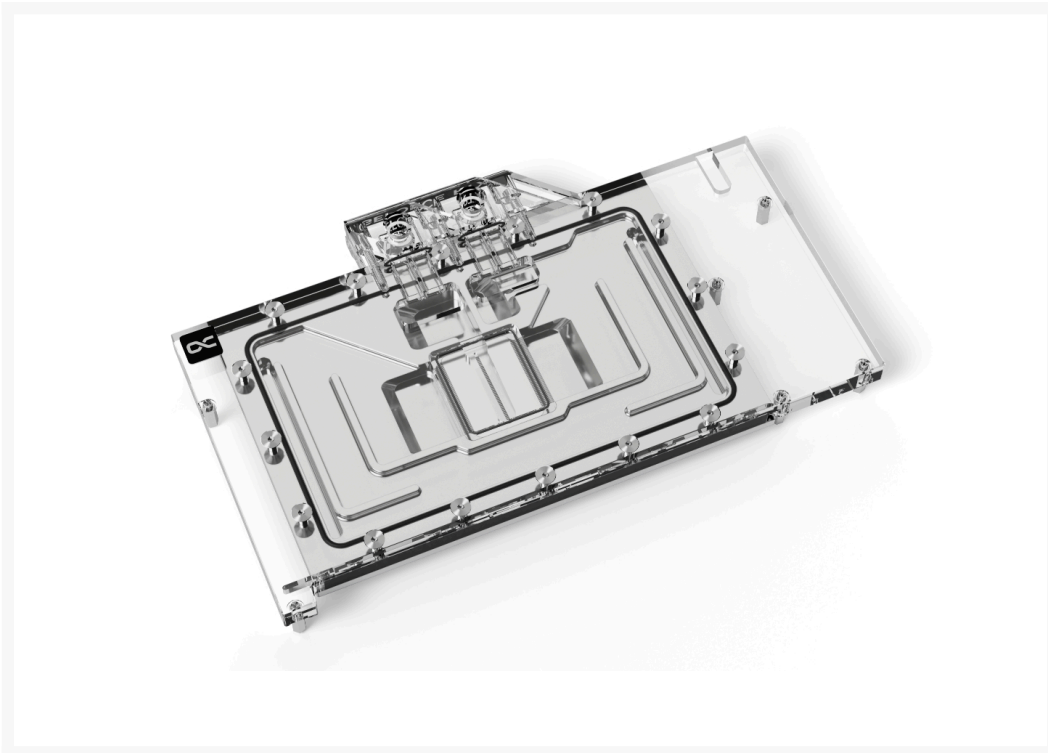


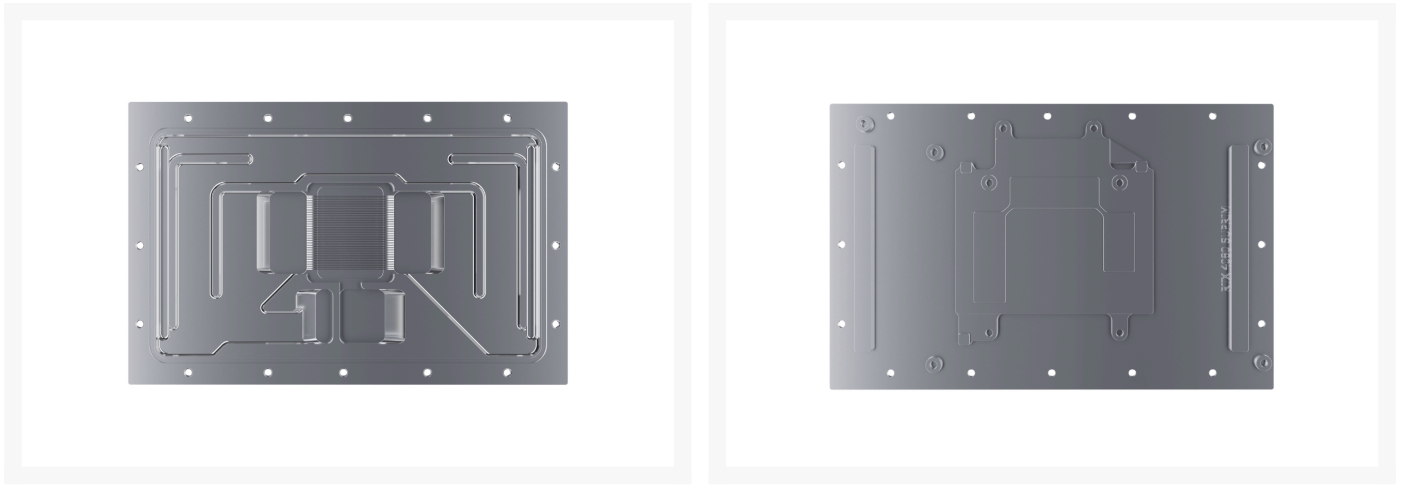


Alphacool Eisblock Aurora Acryl RTX 4080 Suprim with Backplate

\$157.95

Product Images





Short Description

The next generation - the Alphacool Eisblock Aurora water cooler for Geforce RTX 4XXX graphics cards.

Description

Product Information

The next generation - the Alphacool Eisblock Aurora water cooler for Geforce RTX 4XXX graphics cards. In order to dissipate the enormous heat of this graphics card generation in the best possible way, numerous optimizations have been made to the water cooler compared to the previous model. The fin structure was adapted and enables a very good water flow while increasing the cooling surface. The modified jet plate with improved inflow engine ensures an optimal distribution of the water on the cooling fins.

Features

Technical Highlights

The fin structure of this Eisblock cooler generation was developed together with Nvidia board partners. The fin thickness is 0.4 mm, the distance between the cooling fins is 0.4 mm. This ensures a very good water flow while increasing the cooling surface. The jet plate has a revised inlay that spreads the water pressure better over the fins thus optimizing the heat absorption. The adjusted water inflow gives the water a better angle of inflow.

Chrome-plated copper

The cooler is made entirely of chrome-plated copper. A chrome plating is much harder than a nickel plating and therefore less sensitive to acids, scratches and damage. It completely eliminates the risk of chipping nickel plating. Additionally, chrome plating looks much more homogeneous and provides a shine that cannot be achieved by nickel plating. Chrome-plated coolers have previously only been used in the industrial sector

in areas where extreme influences act on the coolers.

Design

The Aurora design of the Geforce RTX 4XXX Eisblock generation is visually calmer and simpler. Only one O-ring runs around the entire cooler. The design around the cooling fins and jetplate makes for a cleaner look. The illumination of the digitally addressable RGB LEDs is even better distributed throughout the cooler as a result of the chrome plating. The terminal's design is in line with the classic Aurora design.

Thermal paste & thermal pads

The included thermal compound is Alphacool's Subzero. With a thermal conductivity of 16 W/mK, it is one of the highest performing thermal pastes on the market. The electrically non-conductive thermal compound is particularly well suited for high contact pressures, but can still be processed perfectly due to its viscosity of 850.000 TF. Alphacool Soft Pads with 1mm thickness are used on the voltage converter and the graphics memory. The thermal conductivity of the pads is 7 W/mK. The pads for the back of the PCB are 3mm thick and have a thermal conductivity of 3 W/mK.

Compatibility:

- MSI GeForce RTX 4080 Gaming X Trio 16GB, 16GB GDDR6X, HDMI, 3x DP (V511-005R)
- MSI GeForce RTX 4080 16GB Suprim X, 16GB GDDR6X, HDMI, 3x DP (V511-004R)

Specifications

Technical data cooler	
Dimensions (L x W x H)	266,66 x 162,43 x 33,63mm
Material cooler	chrome-plated copper
Material cooler top	acrylic
Threads	4 x G1/4"
Thickness cooling fins	0,4mm
Distance cooling fins	0,4mm
Illumination	11x digital aRGB LEDs
Power connector digital aRGB LEDs	3-Pin JST
Power digital aRGB LEDs	5V
Color	transparent
Technical data backplate	

Dimensions (L x W x H)	266,66 x 137,93 x 6mm
Material	Aluminum
Color	black

Technical details	
Manufacturer:	Alphacool
Cooling plate material:	Copper
Cooler model:	Complete cooler
Hint:	Compatible till 16/13mm straight, Compatible till 9/13mm angled
Hardware manufacturer:	NVIDIA
Top cover material:	Acryl
SLI compatibel:	Ja
Connector:	4x G1/4"
Hardware model:	RTX 4080
Dimensions:	266,66 x 162,43 x 33,63mm

Additional Information

Brand	Alphacool
SKU	AC-13527
Weight	3.5000
Color	Black
Vga	MSI GeForce RTX 4080 Gaming X Trio ,Suprim X
Block GPU Type	Nvidia
Vendor SKU/EAN	4250197135276

