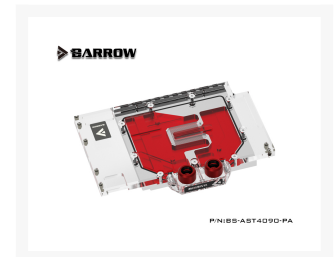


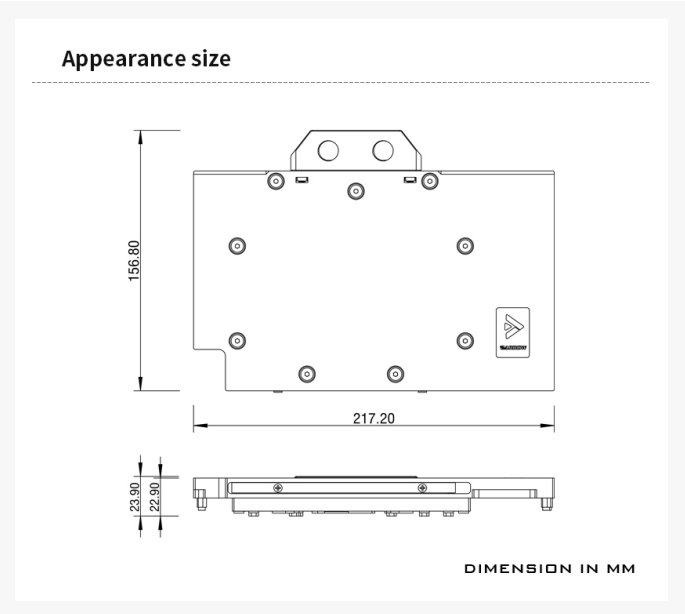
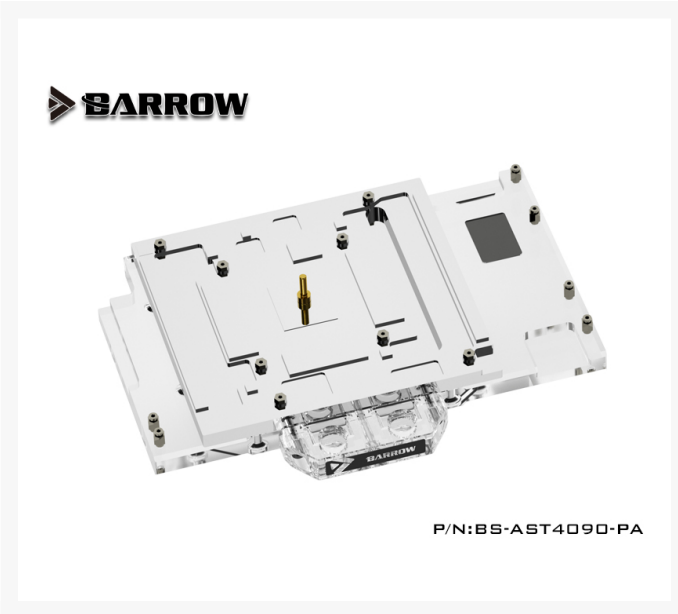
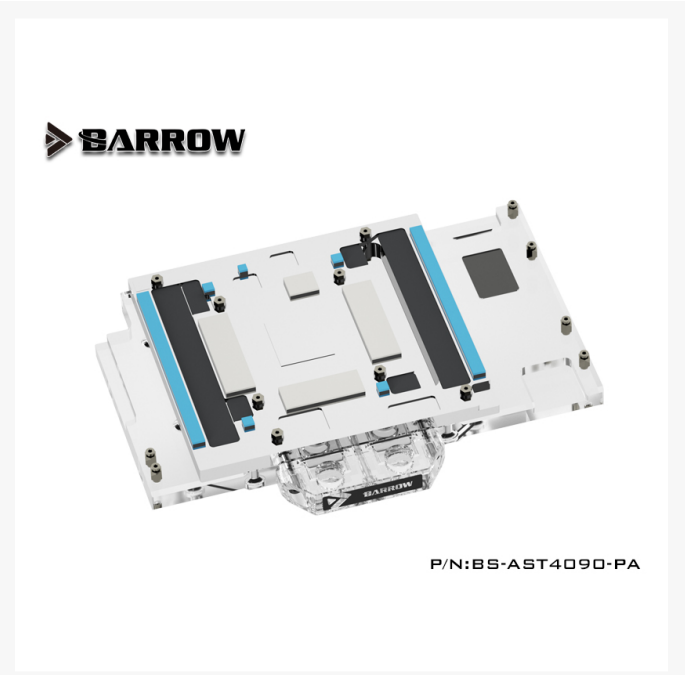


BARROW Barrow LRC2.0 full coverage GPU Water Block for ASUS TUF 4090 Aurora-White Backplate

\$112.95

Product Images





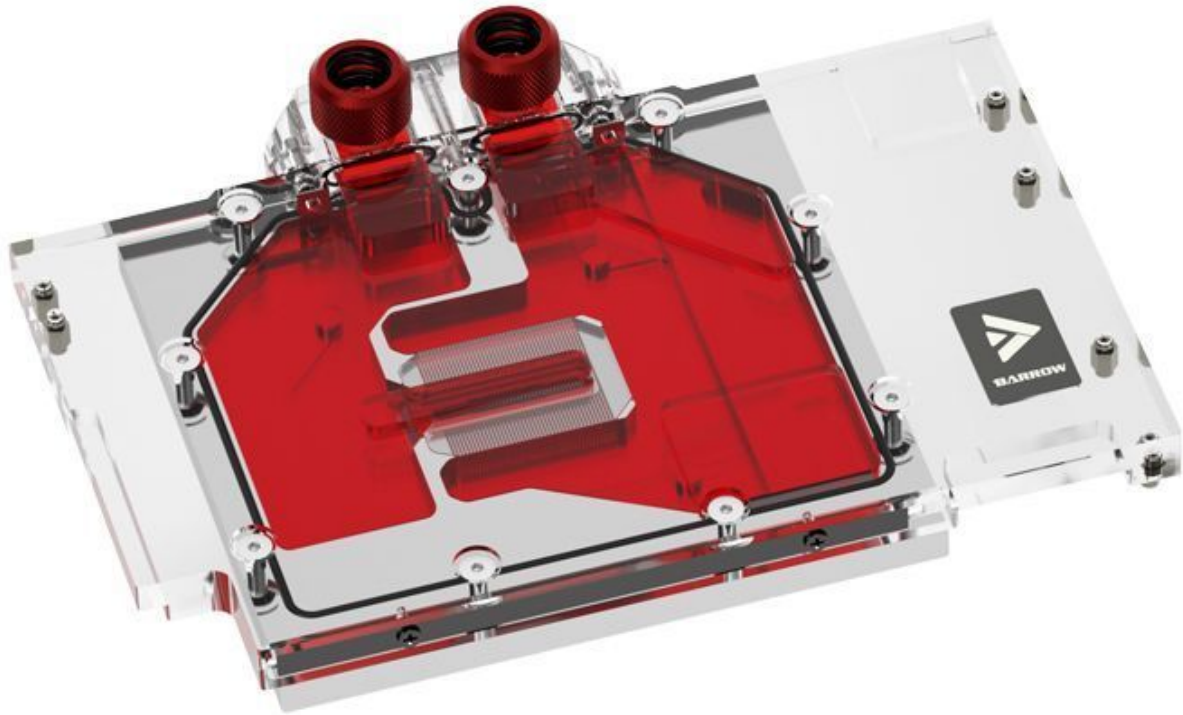
Short Description

Barrow full coverage GPU Water Block for ASUS TUF 4090 Aurora

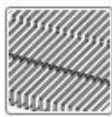
Description

BS-AST4090-PA

Barrow LRC2.0 full coverage GPU Water Block for ASUS TUF 4090 Aurora



BS-AST4090-PA



Micro water passage



Copper-nickel
plated mount



Imported acrylic



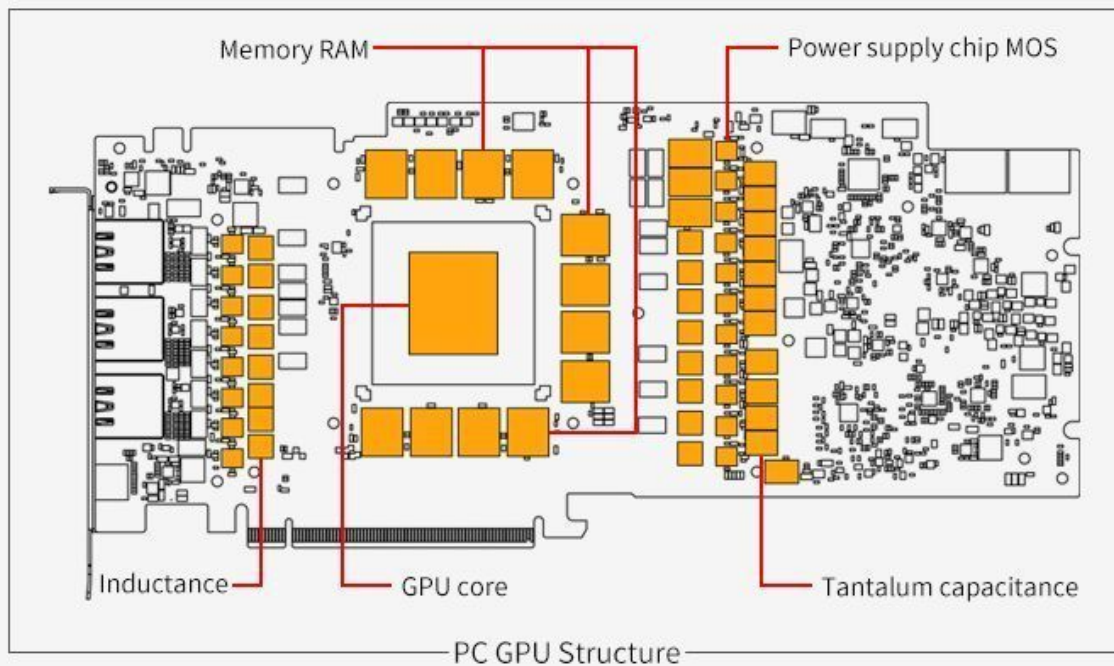
Patent Bridge

◇ Products information

| | |
|--|---|
| Mode: BS-AST4090-PA | Color: Transparent |
| Quantity: 1Set | Thread: G1/4" |
| Material: Red copper+Acrylic | Dimensions: Please refer to the dimension drawing |
| Application: Suitable for desktop computer graphics card cooling. | |
| Note: In case of product appearance structure upgrade,without further notice,in kind prevail | |

Full coverage water block cooling position

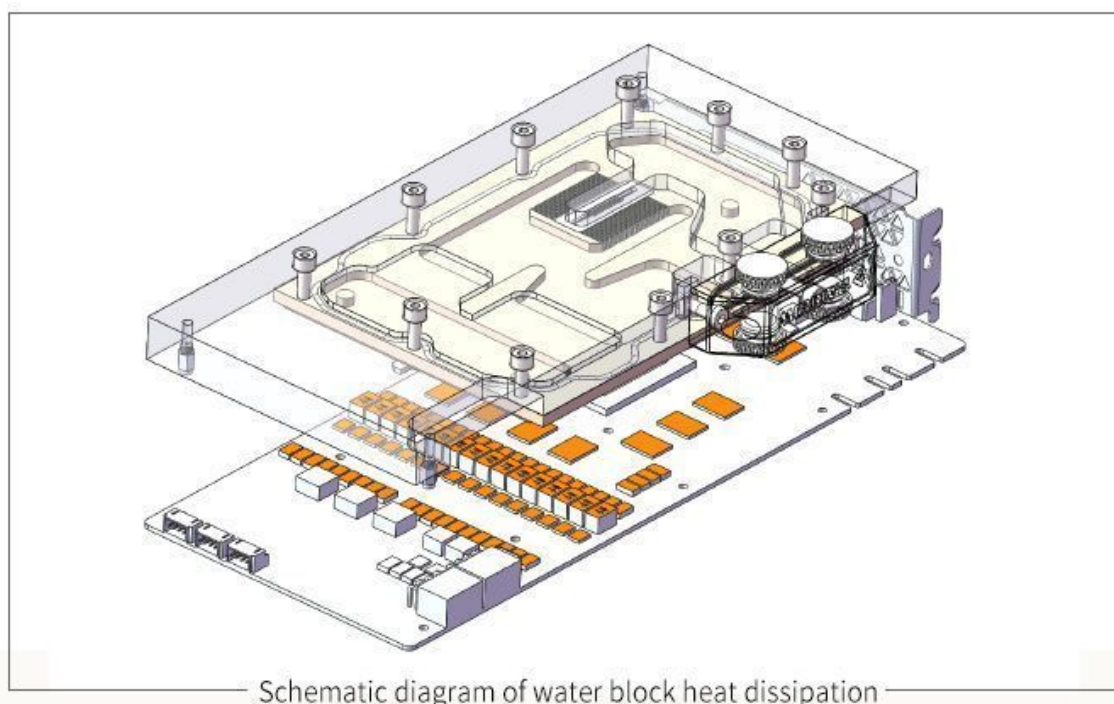
Cooling location: GPU core, memory RAM, power supply chip MOS, inductance and tantalum capacitance, other components with high heat output.



The figure is only the principle of understanding, does not mean that the current product trial PCB graphics

The water block radiation principle

The purest copper back plate fully cover high heating components such as GPU core, Memory RAM, Power chip NOS, tantalum capacitors and so on. Through liquid flow take away the heat that is conducted to the water block to achieve cooling purpose, which make sure players could have a good game experience and the PC remain stable overclocking performance.



Water block compatible GPU model



**ASUS TUF RTX4090 024G
GAMING**



**ASUS TUF RTX4090 24G
GAMING**



**ASUS ROG STRIX RTX4090
024G GAMING**



**ASUS ROG STRIX RTX4090
24G GAMING**

There are uncertain factors such as upgrade, replacement, modification, and untimely data update in the graphics card products. The above compatibility list is recommended for reference. There may be incompatibilities with lower probability. In case of such special circumstances, our company will properly handle the return and replacement for you.




ASUS TUF-RTX4090-O24G-GAMING PCB

Water block accessories list



Thermal silicone
1 pcs



Stop Plug Fitting
2 pcs



Spring bolt
5 pcs



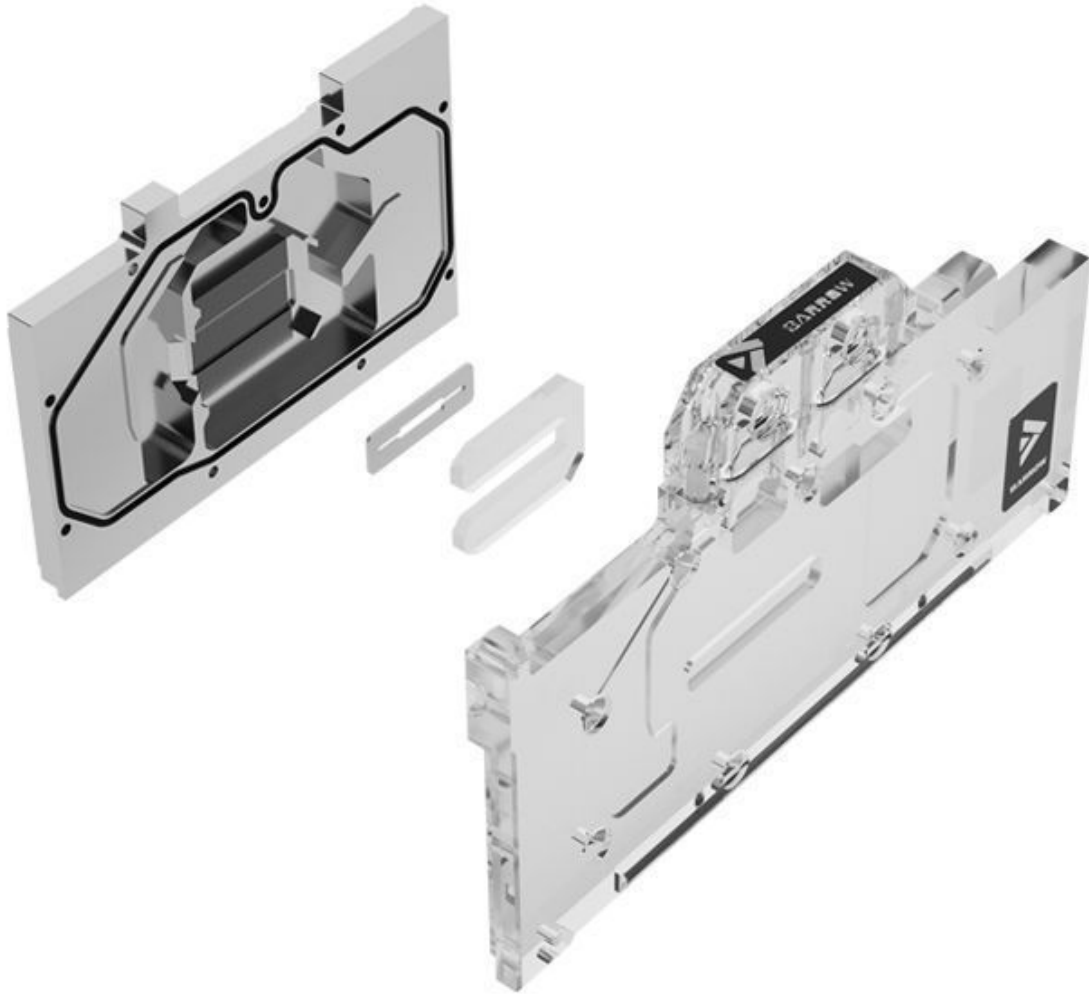
Washer
14 pcs



Thermal silicone gasket
6 pcs

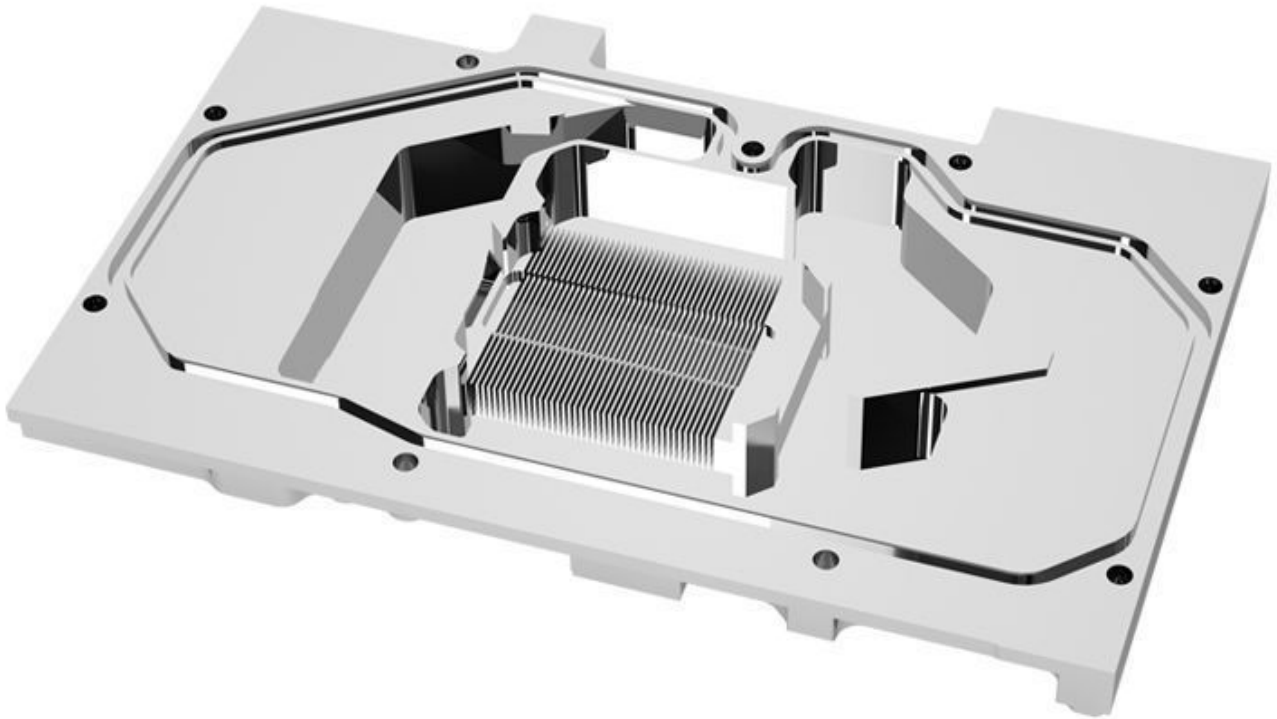
Three layer cooling design of core

Three layer cooling design of cold finger core, Coolant can absorb Calories of GPU core
Cooling more strongly and improve cooling efficiency.



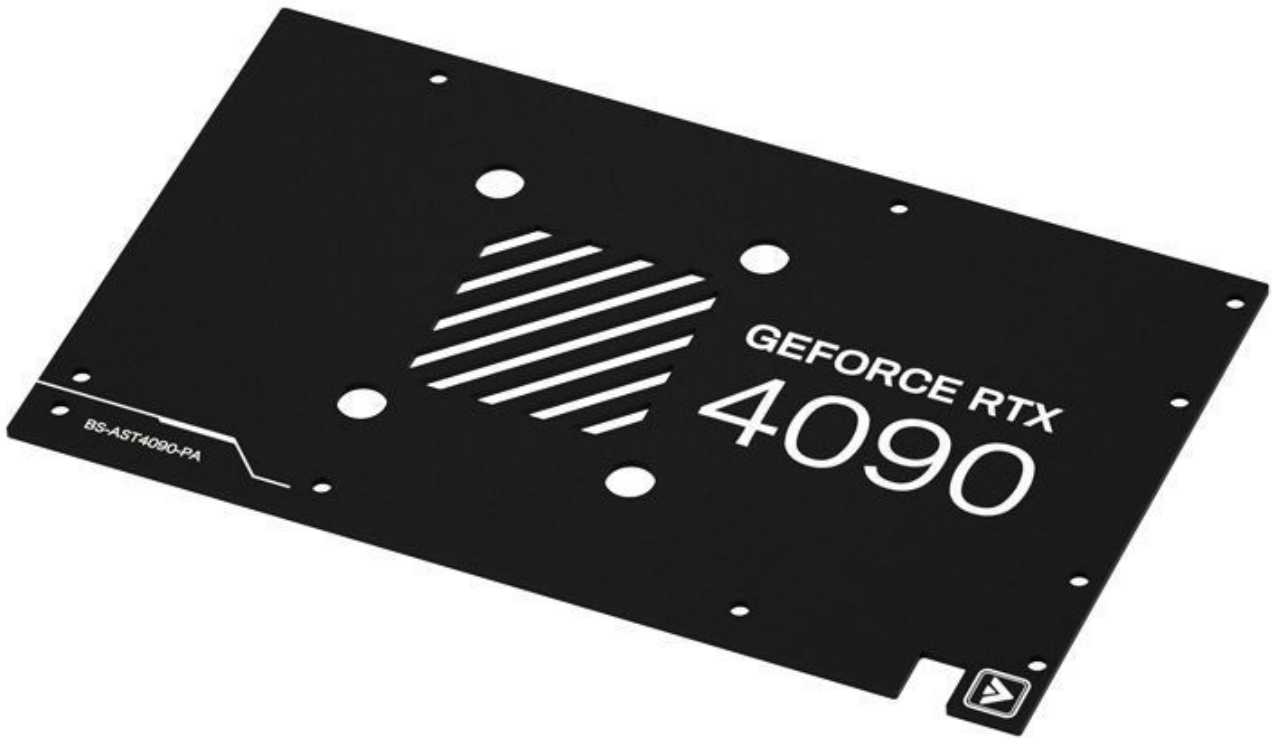
10mm Super thick copper material

The 10mm Super thick copper raw material is made by CNC processing. The material is solid. The surface is treated with anti-oxidation nickel plating, which extends the service life. Thanks to the material used for thickening plate. This realizes the single-layer sealing structure and increases the water flow coverage area. It not only improves the sealing stability of GPU, but also is more conducive to evenly absorb and conduct the heat of each heating part of GPU. With the weight reducing structure design, the weight of the product is reduced, and the load-bearing load of GPU is obviously reduced.



Standard equipped with aluminum alloy back plate

Equipped with aluminum alloy backboard, it can provide all aspects of protection for GPU, and bring strong appearance and the efficiency of heat dispersion to GPU. The size of backboard is close to the length of GPU PCB, leaving more space for case to expand other hardware.



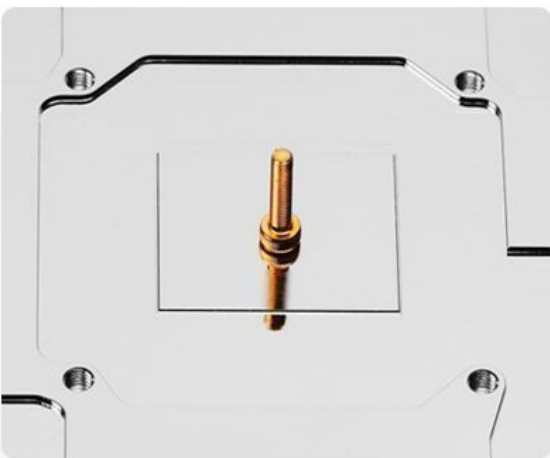
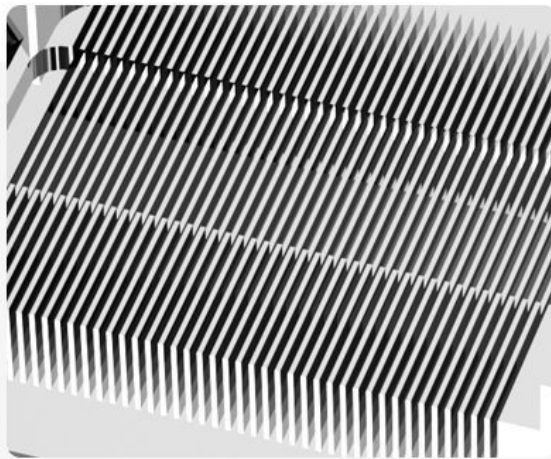


Original imported high-transparency acrylic board

High-temperature-resistant and high-transparency imported acrylic raw materials have higher transparency, longer life, no color change, no cracking, and emitting full of internal brilliant lighting effects.

High-density jet microchannel

The enlarged area of water passage has as many as 43 micro-channels, each with bottom-clearing slots and 5+3 (0.5MM groove width + 0.3MM interval) asymmetric water channels. The contact area between the water-cooling liquid and the soleplate is increased, as well as the heat dissipation efficiency of the cold head is enhanced.



Copper-nickel plated mount

As the main material of the soleplate, copper with thermal conductivity which is less than silver, has high heat absorption and heat transfer efficiency. The surface adopts the mirror nickel plating process, which can effectively prevent the soleplate from oxidation and increase the service life.

Appearance patent bridgehead

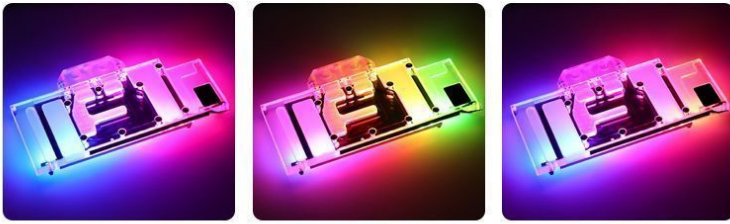
Patent No.: 2016304260188

Unique appearance design, plus translucent logo makes the lighting effect more gorgeous.



Lighting effects show

Version 2.0 lamp belts and lamp beads can produce asynchronous static and dynamic lighting effects, that is, each lamp bead can independently change color in the same period. The built-in removable RGB light components can replace the light components according to the actual needs.



Control system 2.0

LRC full-color RGB lighting control system 2.0 includes BARROW's version 2.0 manual controller and 16 channel remote controller. It can be compatible with the RGB lighting components and other independent products as well as built-in lighting components of all BARROW's 2.0 versions.



Compatible motherboard programmable ARGB light interface

Motherboard with 5V programmable ARGB pin can be connected via adapter ZBDZJX-5

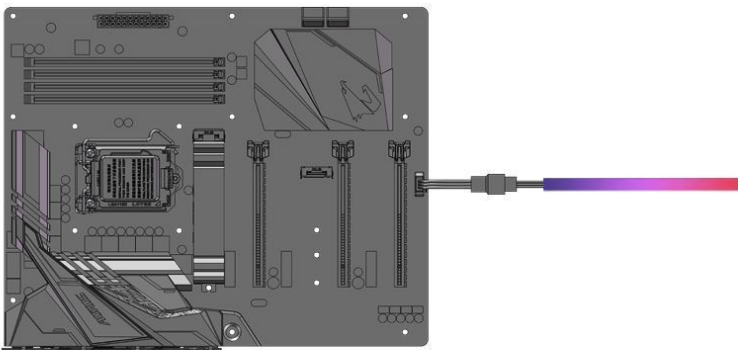


Barrow ZBDZJX-5 adapter cable



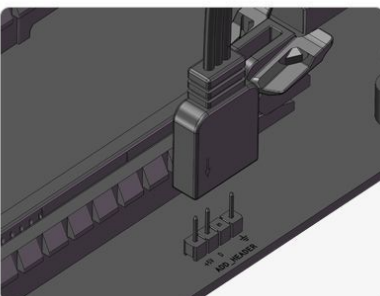
Length: 40cm

The adapter cable is not a standard accessory, please purchase separately

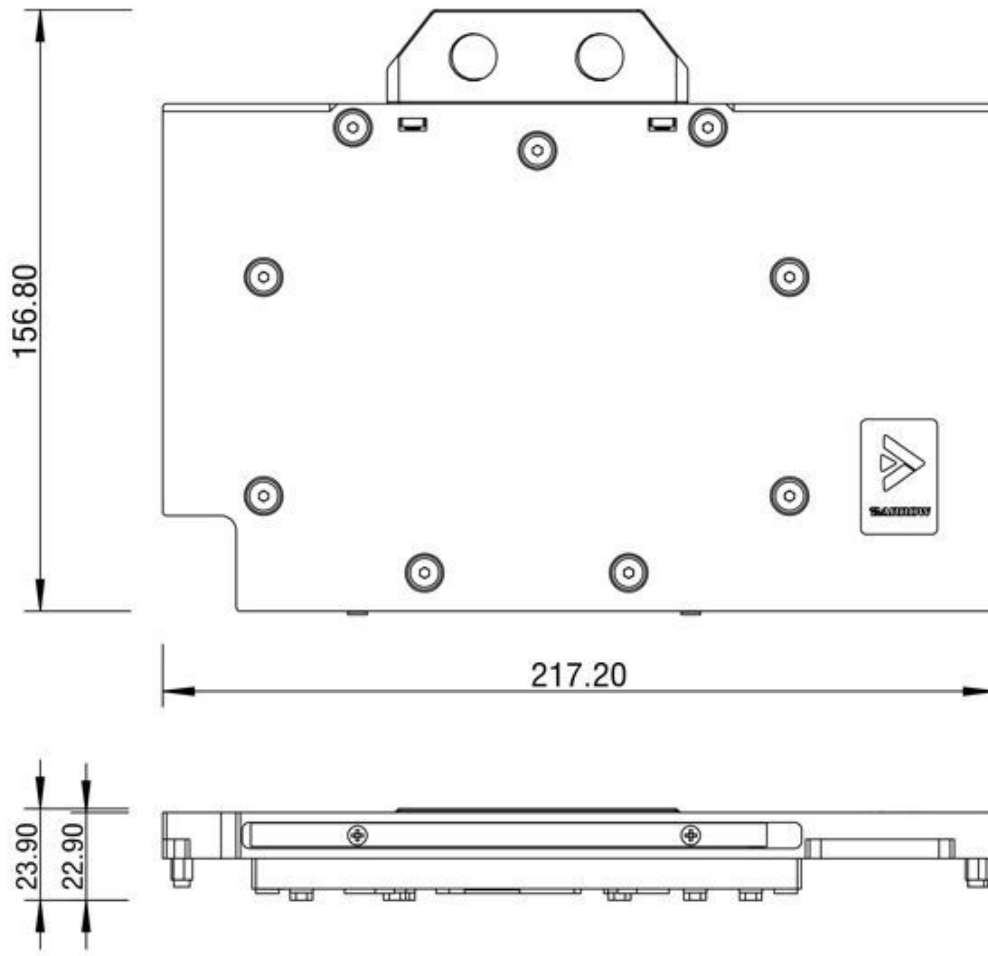


The 5V ARGB adapter cable should be connected to the corresponding motherboard interface in the corresponding direction

The ZBDZJX-5 adapter cable can only be connected to the motherboard 5V 3-pin ARGB lighting interface



Appearance size

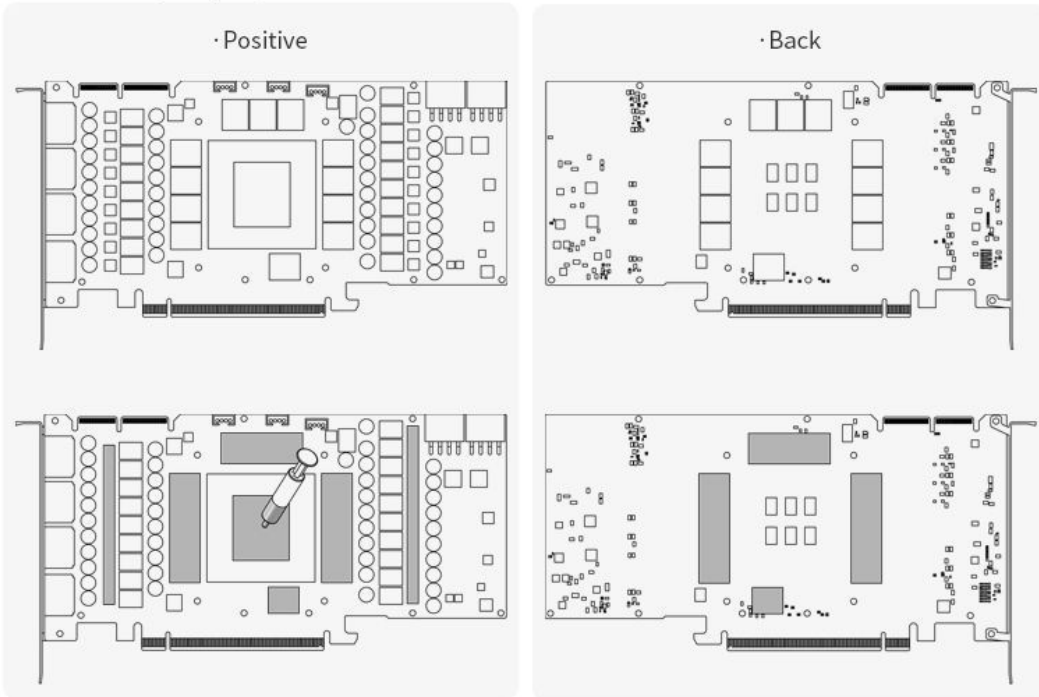


DIMENSION IN MM

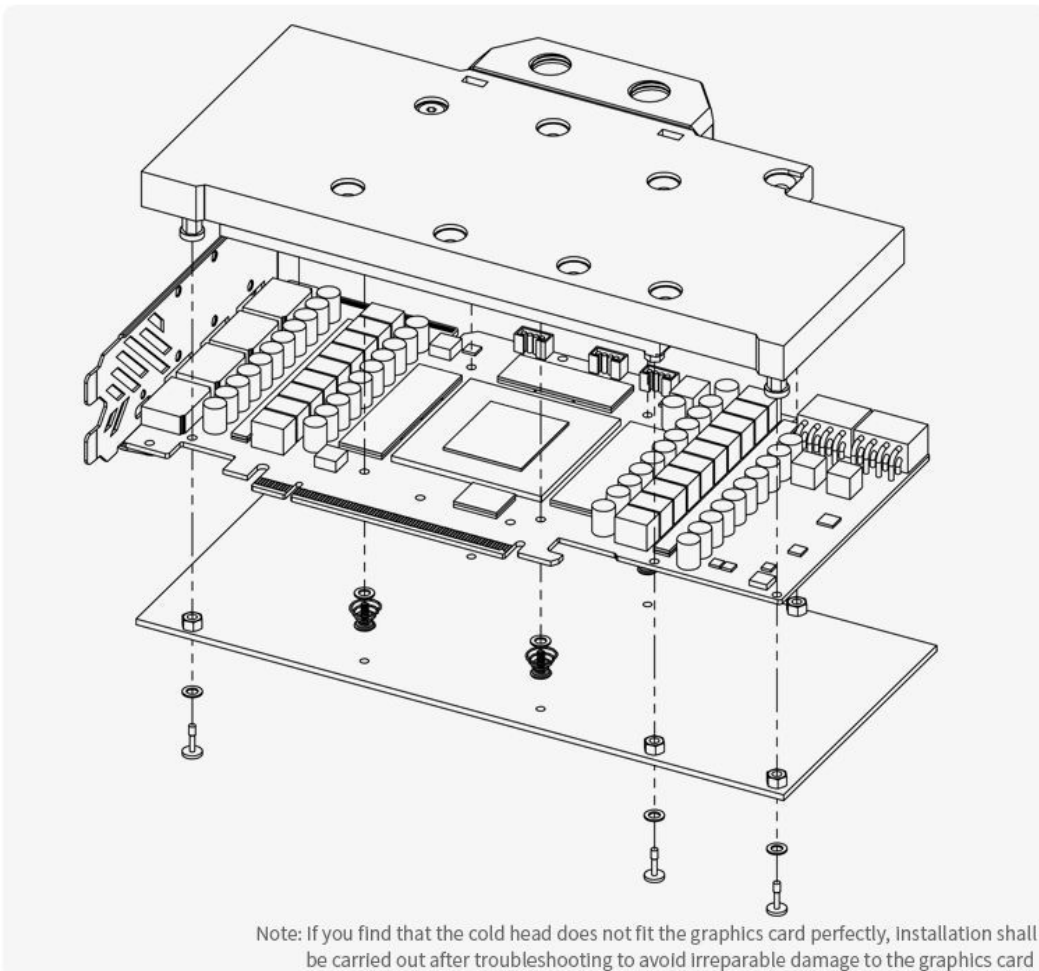
Installation example

Step1: Remove the original radiator and smear silicone grease or adhesive silicone pad

Clean up the residual silicone grease and silicone grease pad, smear new heat conductive grease and silicone grease pad again



Step2: Place one side of the graphics card bottom board upwards, and place the white ABS pad on the copper column. Fix and install the graphics card and cold head screw hole to its rear locking screw.



Note: If you find that the cold head does not fit the graphics card perfectly, installation shall be carried out after troubleshooting to avoid irreparable damage to the graphics card

Specifications

- Bundle: N
- Material: Acrylic
- RGB Support: A-RGB
- Type: VGA Front Water Block
- Model Number: BS-AIC4090-PA
- Brand Name: BARROW
- Origin: Mainland China

Additional Information

| | |
|----------------|------------------|
| Brand | Barrow |
| SKU | BS-AST4090-PA-WH |
| Weight | 3.0000 |
| Color | Clear |
| Vga | Asus TUF 4090 |
| Block GPU Type | Nvidia |
| Block Style | Copper-Nickel |
| Vendor SKU/EAN | 6937826617560 |

