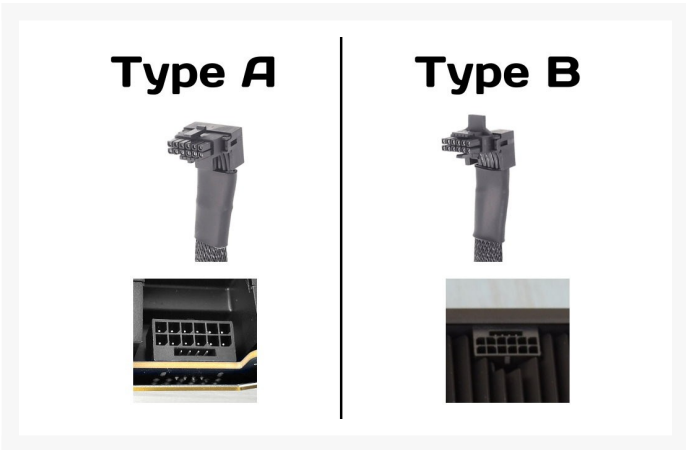
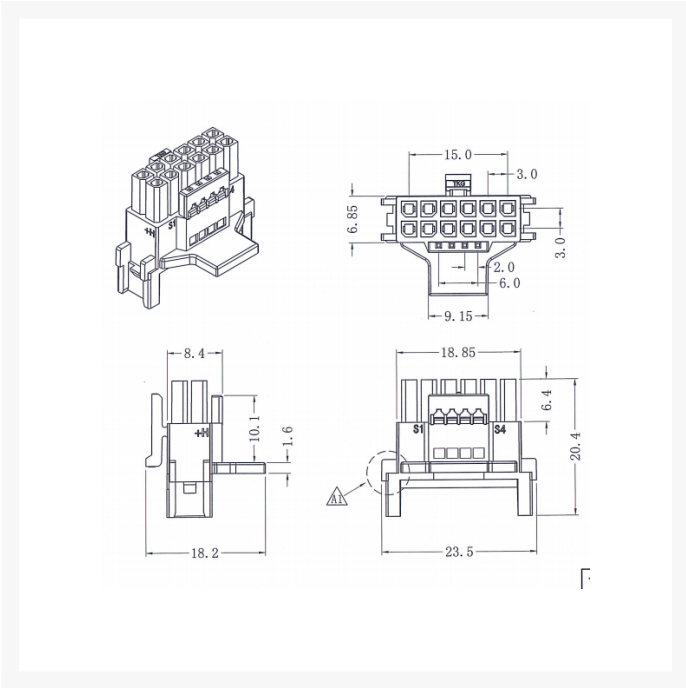


ATX 3.0 PCIe 5.0 600W 12VHPWR 16 Pin 90 Degree Angled Extension Cable

Product Images





Short Description

NEW Premium 90-Degree Angled Sleeved ATX 3.0 PCIe 5.0 600W 12VHPWR 16 Pin to 16 Pin Extension Cable, requires 18mm clearance only!

Sleeved Extension Cable, Built for the new ATX 3.0 PCIe 5.0 12V HPWR Mini 12+4 pin PSUs

Description

This extension cable is made with 12 dedicated high-current wires connected to top-quality single-seam terminals, using standard and proper power wire crimping method. There is no soldering, no bridging, no splitting, no sharing, no double-seam. Here are some [showcases of our angled 12VHPWR cables](#).

NEW Premium 90-Degree Angled Sleeved ATX 3.0 PCIe 5.0 600W 12VHPWR 16 Pin to 16 Pin Extension Cable, requires 18mm clearance only!

Sleeved Extension Cable, Built for the new ATX 3.0 PCIe 5.0 12V HPWR Mini 12+4 pin PSUs

16Pin GPU Cable PCIe 5.0 12VHPWR Sleeved Extension Cables Male to Female PSU Cable Mini 12+4 pin Adapter 600W Power Supply

PCI-E 5.0 Modular Cable 12V HPWR GPUs GeForce RTX 3090 Ti PCIe Gen 5 Connectors 16P

PCI-E 5.0 GPU Cable (16-pin Micro Fit cable) for Nvidia RTX 4090 4080 3090ti

12vhpwr extension cable

Features

Main Features:

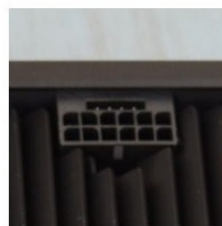
- Top-quality 16AWG wire
- High-density sleeving (optional)
- Premium JMT connectors
- Premium high-current single-seam terminals

12VHPWR-EXT-90A

Type A



Type B



Specifications

Cable Type:

- Extension Cable

Connector:

- 12VHPWR 12+4 Pin (16 Pin) Male to 12VHPWR 12+4 Pin (16 Pin) Female
(suitable for any PCIe 5.0 GPUs with 12VHPWR 16-Pin port, e.g. RTX3090it/RTX4090)

Cable Length:

- Around 15cm

Cable Color:

- [Black](#)
- [White](#)

PSU Model:

- Suitable for any PCIe 5.0 GPUs with 12VHPWR 16-Pin port, e.g. RTX3090/RTX4090

Additional Information

Brand	ModDIY
SKU	12VHPWR-EXT-90A
Weight	0.1000
Color	Black

Product Options

Connector Type:	Type A
	Type B

