



BARROW Barrow Dabel-b series copper 120 Radiator

\$29.99

Product Images



P/N:DABEL-28B 120

Short Description

BARROW Dabel-28b series of red copper water cooling standard height of 28MM, suitable for high heat dissipation requirements of standard or large water cooler installation and use. The waterway is made of pure copper material, the brass of the water chamber and the fan mounting bracket are made of stainless steel.

Description

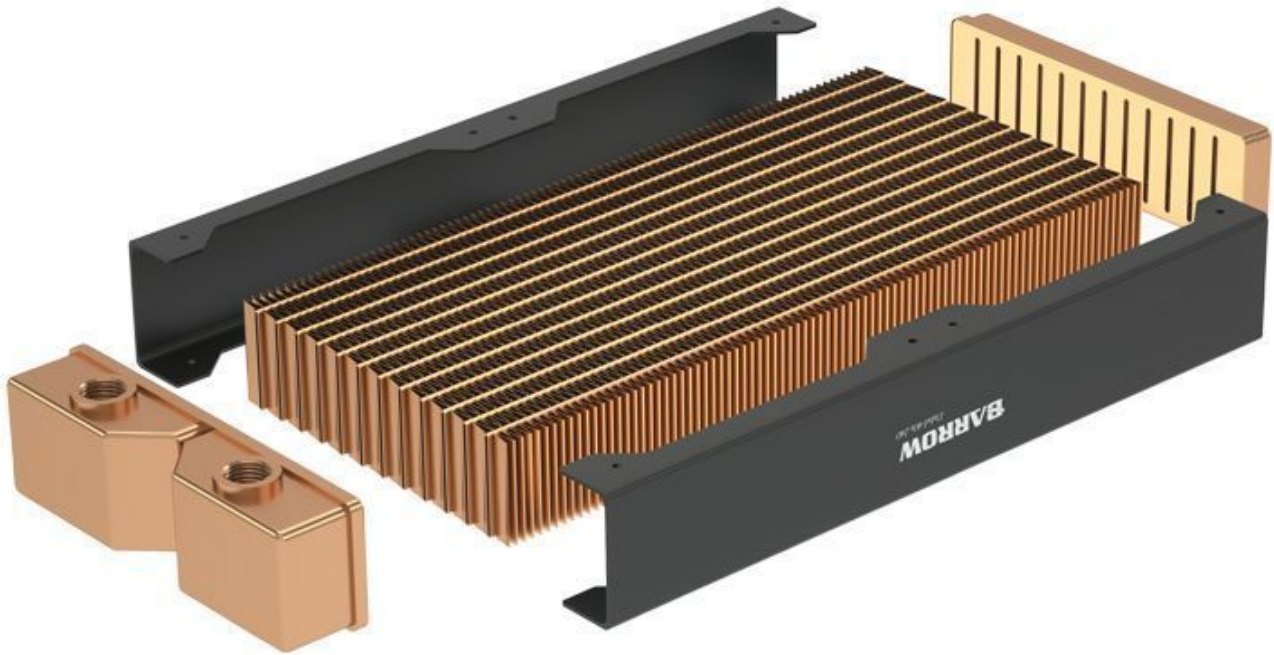


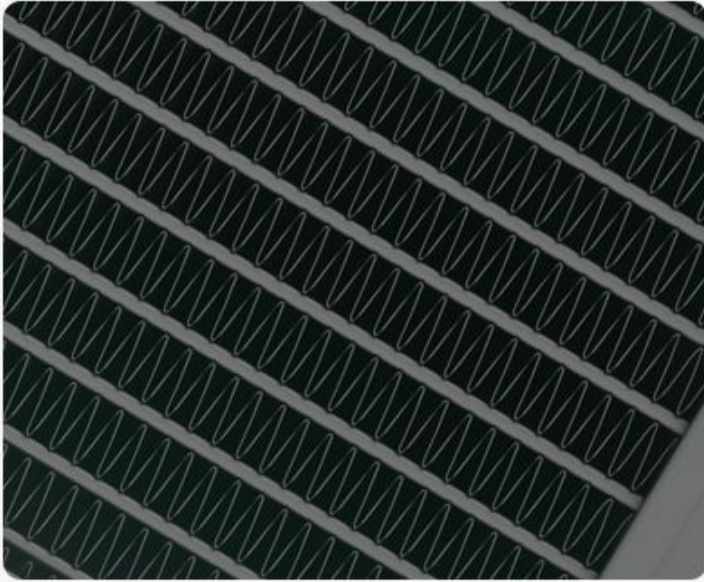
P/N:DABEL-28B 120

Features

High flow cooling Radiator

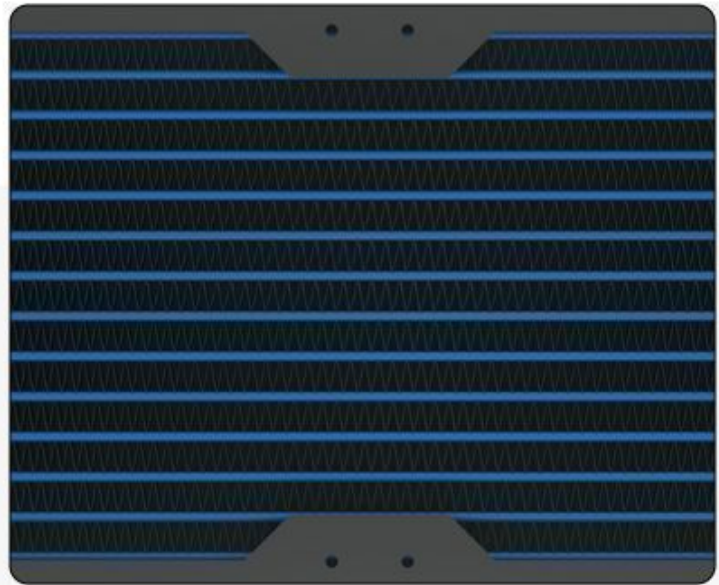
BARROW laboratory is committed to the research and development of high cooling efficiency radiator. It uses its own factory's high-quality production resources to create satisfactory cooling products for users. Having passed the flow and cooling efficiency tests, this kind of radiator boasts excellent cooling efficiency. This achievement is due to copper straight through radiators and dense fin structures, which can make the cold liquid circulate quickly and disperse the heat evenly.





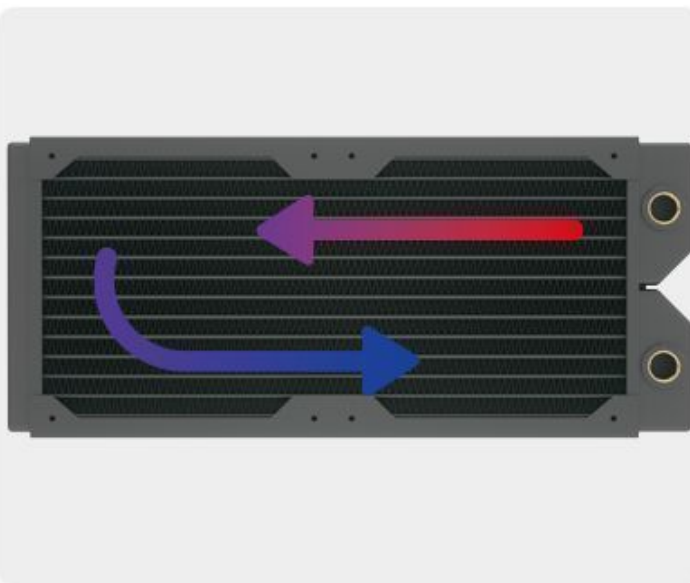
High density red copper fins

This kind of radiator features 18FPI cooling fins, which can effectively improve the cooling area. The straight through cooling channels and high wind pressure fans can quickly take away the heat of the cooling liquid in the radiator as a way of improving the cooling efficiency of the water cooling system.



Multi-channel circulation

Multiple cooling channels are preset in a way that directly increases the cooling area of the radiator to further improve the cooling efficiency.

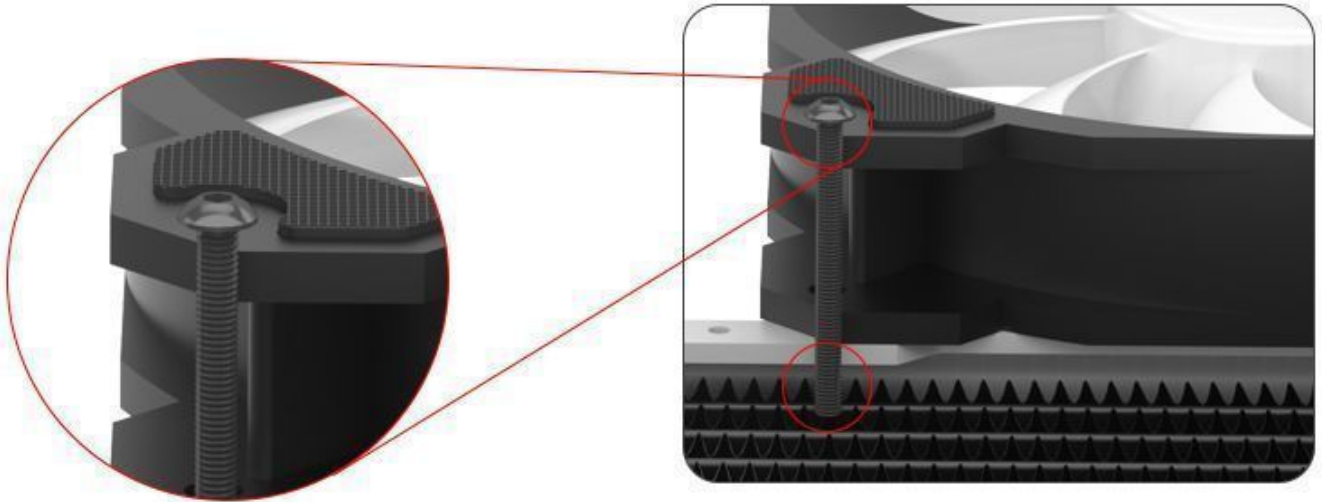


Revolving heat dissipation passageway

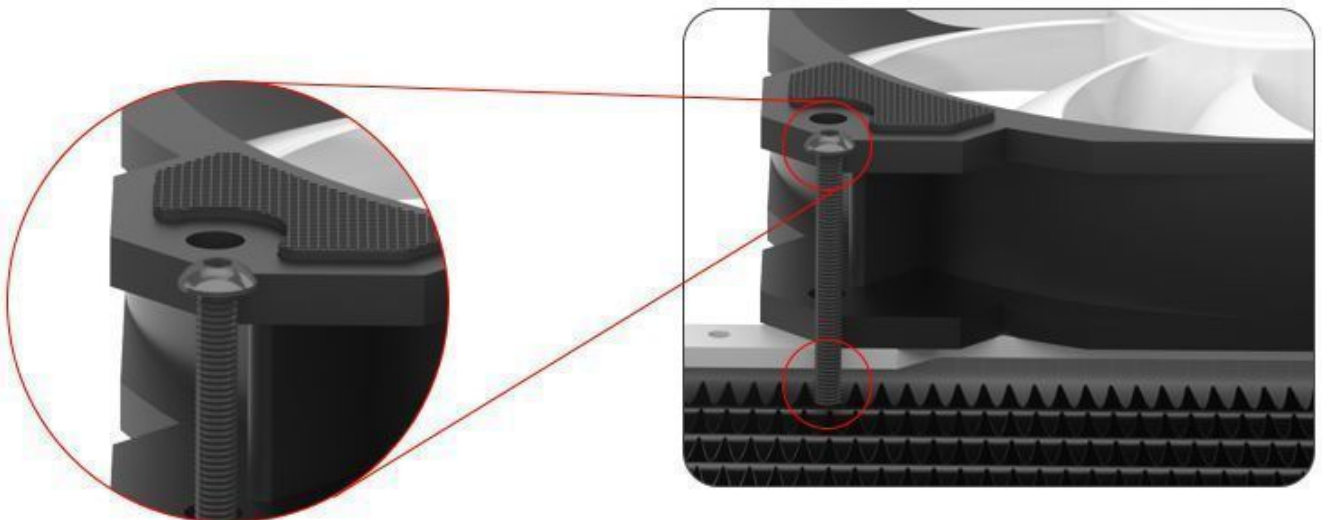
It can increase the length of coolant flow in the radiator, and make the coolant can effective heat dissipation in the radiators.

Right screws must be selected for installation

When installing the radiator fans, please select the screws of appropriate specification for installation, so as to avoid the failure of normal use in the later period resulting from the screw piercing the radiator channel due to the wrong specification screw installation.



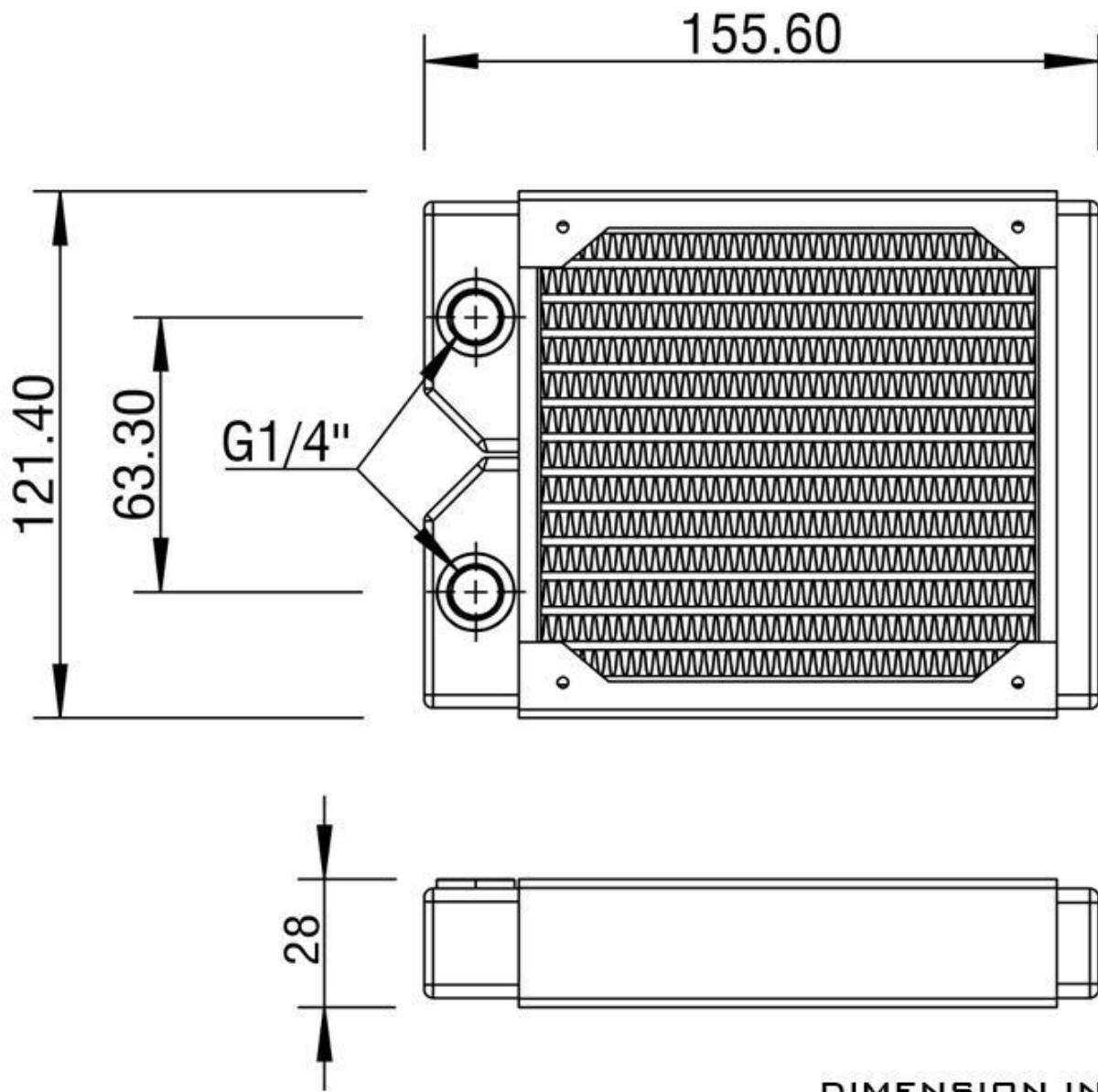
If the selected screw is too long, the radiator channel will be damaged so the radiator can not be used normally.



The selected screws with right lengths can help install the cooling fans of the radiator correctly.

Specifications

Appearance size



DIMENSION IN MM

Additional Information

| | |
|--------------------|-----------------|
| Brand | Barrow |
| SKU | DABEL-28B-120 |
| Weight | 3.5000 |
| Color | Black |
| Radiator Size | 140 (1 x 140mm) |
| Radiator Thickness | 28mm |
| Vendor SKU/EAN | 6937826615764 |

