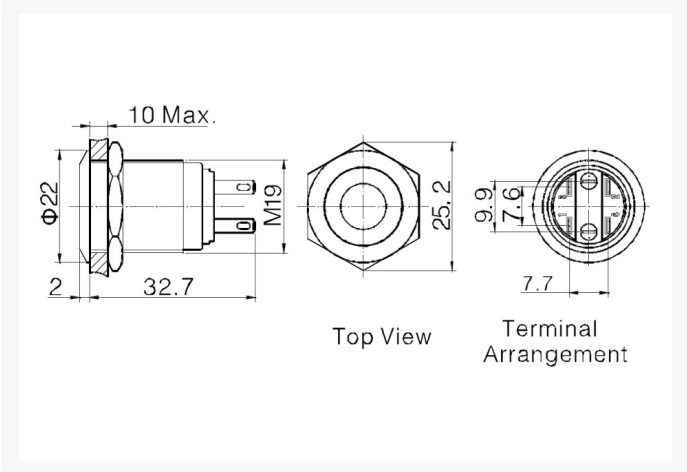
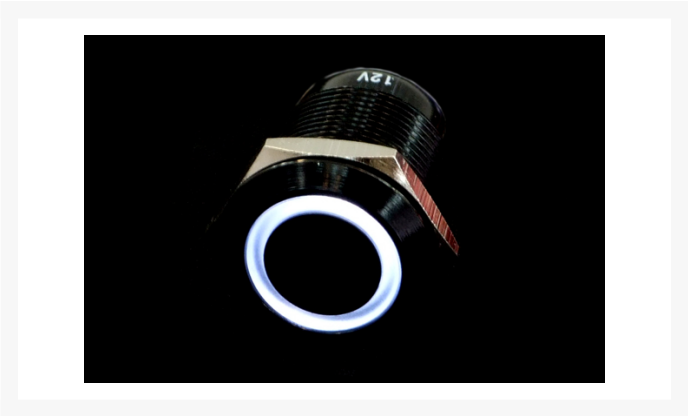
 **Vandal Resistant
Illuminated Momentary
Switch - Black - 22/19mm -
White Ring**

\$13.95

Product Images





Short Description

The vandal resistant momentary on/off switch is the ideal switch for computer modding enthusiasts. A momentary switch is typically used for a PC's power and reset button. When turned on, the ring or dot around the push button illuminates in the specified color. Easy to install and will fit in many case switch holes, on a regular 3.5 or 5.25 inch bay cover, or wherever you chose to mount it.

Description

The vandal resistant momentary on/off switch is the ideal switch for computer modding enthusiasts. A momentary switch is typically used for a PC's power and reset button. When turned on, the ring or dot around the push button illuminates in the

specified color. Easy to install and will fit in many case switch holes, on a regular 3.5 or 5.25 inch bay cover, or wherever you chose to mount it.

Manufactured from aluminum, this extensive range of vandal resistant security switches are designed for use in potentially hostile environments, such as access control applications, auto, truck, outdoor, marine use, or, in the case of PC modders, powering up your case to "on" or for use as a computer reset button.

This is a bare switch only and will need wiring to be able to use. Optional cable harness' can be ordered along with the switch. Wiring instructions are included.

Features

- Front Panel Mounting
- Ring or Dot Illuminated
- 22mm bezel diameter
- 19mm shaft (install) diameter
- S.P. Push to Make
- 50mA, 24V dc contact rating Switch
- Bright Daylight LEDs
- Separate LED Terminals

Specifications

- Terminations: (2.8mm tabs)
- Switching: S.P. Push to make, tactile S.P.or Push/Latch
- Max. Rating: 50mA, 24V d.c. switch
- Contact Resistance: <100mΩ.
- Insulation Resistance: >103 MΩ.
- Dielectric Strength: Contact to Panel >2.0kV
- Contact to Contact 1500V Contact
- Operating Temp. Range: .30C to +70C
- Sealing (Front of panel only): Protection Classification: IP66 EN60529
- Materials:
 - Switch assembly: V-0 rated Polyamide (Nylon)
 - Tags: Copper Alloy
 - Terminals: Copper Alloy
 - Switch Body & Button: Aluminum
 - Lens and Lens Body: Polycarbonate
 - O rings: Nitrile and Silicone
 - Contact Plate: Gold Plated
- LEDs (ratings @ 20mA) Blue: 1500 mcd 3.0-12.0 V

NOTE: LED is rated for 3.0-12.0 Volts and the motherboard LED headers are 3.3V. This is acceptable

All switches are tested in house before shipment. Absolutely NO returns of switches that have a burnt out LED!

Additional Information

Brand	Mod/Smart
SKU	VSW22-MOM-BK-RING-WT
Weight	0.1500
Color	Black
Switch Type	Vandal (Momentary)
LED Color	White
Material	Aluminum

