



# ENZOTECH AS-REII-SN Waterblock for RAMPAGE II EXTREME MB

\$109.95

## Product Images



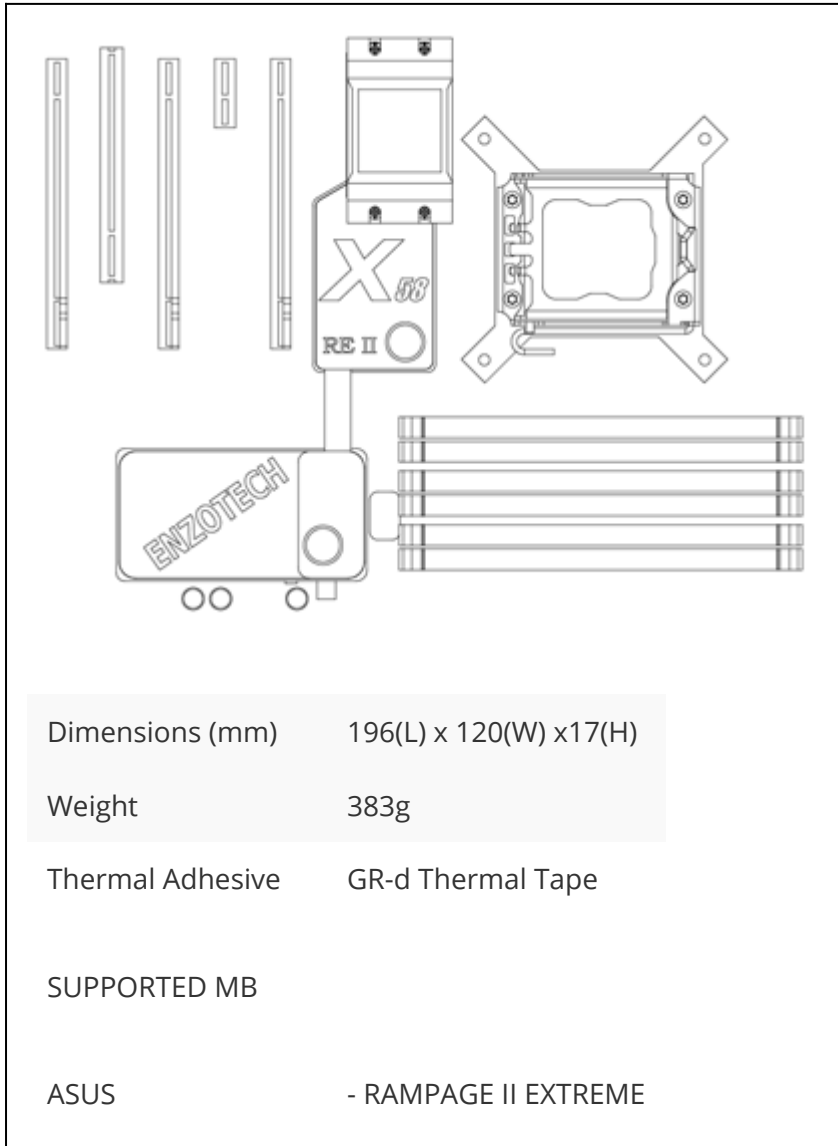
## Short Description

The Enzotech AS-REII-SN Waterblock was designed to fit on RAMPAGE II EXTREME MB.

## Description

The Enzotech AS-REII-SN Waterblock was designed to fit on RAMPAGE II EXTREME MB. The optimal channel design make sure all chips cooled evenly and get more heat off from your board. You may enjoy the performance of your board while exercising the Enzotech AS-REII-SN Waterblock.

Specifications:



## Specifications

- Waterblock x 1
- M3x22L Screw x 2
- M3x12L Screw x 2
- Installation Guide x 1
- Thermal Tape(25x10xmm) x 1
- Sponge x 1
- Thermal Grease x 1
- Screw With Spring x6

## Additional Information

---

Brand	Enzotech
SKU	AS-REII-SN
Weight	0.5000
Color	Silver
Chipset Motherboard	Asus Rampage II Asus Rampage II Extreme
Block Style	Nickel

