



ENZOTECH **Enzotech 30 Degree
Rotary Fitting G 1/4 Thread
- 3/8" ID Barb**

\$8.95

Product Images

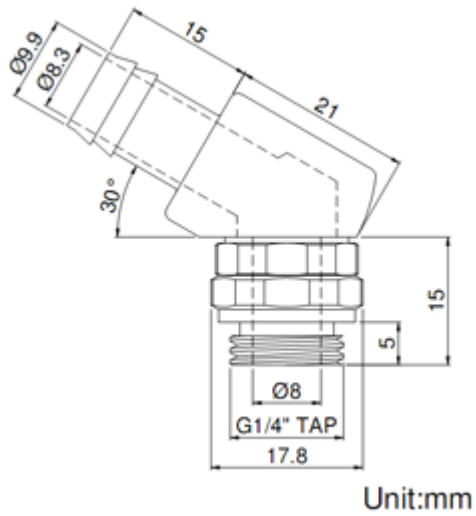


Short Description

Enzotech does it again with beautifully constructed nickel plated finished fittings for computer water cooling enthusiasts! These new 30 degree rotary fittings are quality construction and offered at a great price!

Description

Enzotech does it again with beautifully constructed nickel plated finished fittings for computer water cooling enthusiasts! These new 30 degree rotary fittings are quality construction and offered at a great price!



Specifications

ID	3/8"
Thread Type:	G1/4"
Finish:	Nickel Plate (Metallic Silver)

Additional Information

Brand	Enzotech
SKU	RHF-G14-38-30
Weight	0.1000
Fitting Type	Barb
Fitting Size	3/8"
Fitting Angle	30 Degree

