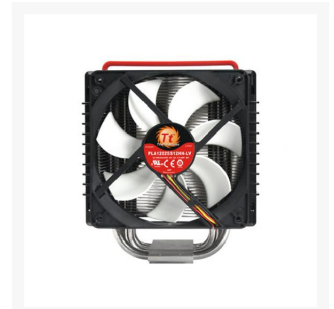
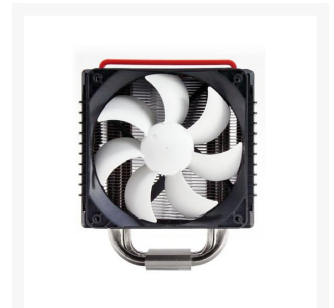




# Thermaltake Frio Dual 120mm Universal CPU Cooler LGA 1366/1156/775 & AM2/AM2+/3

\$58.95

## Product Images





## Short Description

---

Ensure high class cooling for your CPU with the Thermaltake CLP0564 Frio Dual 120mm Universal CPU Cooler. Keep your computer running optimally and efficiently. This Thermaltake CLP0564 Frio Dual 120mm Universal CPU Cooler delivers superior performance and the power level usage is at its lowest! The Thermaltake CLP0564 Frio Dual 120mm Universal CPU Cooler is rigorously tested and innovatively designed to exceed ordinary quality control standards. Durably built and precision engineered, the Thermaltake CLP0564 Frio Dual 120mm Universal CPU Cooler is the fan for everyone!

## Description

---

Thermaltake CLP0564 Frio Dual 120mm Universal CPU Cooler

Ensure high class cooling for your CPU with the Thermaltake CLP0564 Frio Dual 120mm Universal CPU Cooler. Keep your computer running optimally and efficiently. This Thermaltake CLP0564 Frio Dual 120mm Universal CPU Cooler delivers superior performance and the power level usage is at its lowest! The Thermaltake CLP0564 Frio Dual 120mm Universal CPU Cooler is rigorously tested and innovatively designed to exceed ordinary quality control standards. Durably built and precision engineered, the Thermaltake CLP0564 Frio Dual 120mm Universal CPU Cooler is the fan for everyone!

## Features

---



- Supports Intel Latest 6-Core Processors
- Ultimate Overclocking Thermal Structure Design
- Ultra Powerful Dual 120mm VR™ Fan and Eye-Catching Cover
- Universal Socket Compatibility & Accessory Package

---

## DETAILED FEATURE

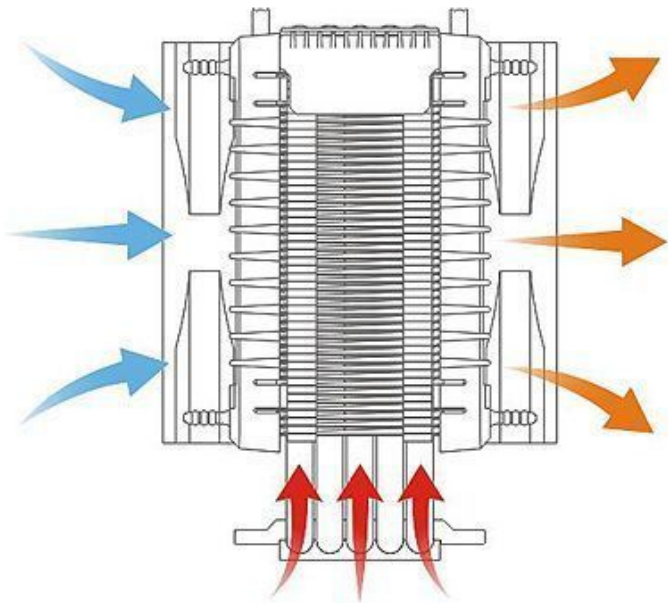
- Ultimate Overclocking Thermal Structure Design
  - excellent cooling capacity - supports 220W
  - 0.5mm aluminum fins with large surface for heat dissipation
- 5 x Ø8 mm-U-shape copper heat pipes for accelerated heat conduction
  - tower side flow design efficiently optimizes cooling performance.

- Ultra Powerful Dual 120mm VR™ Fan and Eye-Catching Cover
  - 120 mm VR™ Fan, adjustable between 1200 and 2500 RPM max. for best overclocking performance
  - additional 120mm Fan enhances cooling performance
  - black and red cooler top add aesthetical appearance

- Universal Socket Compatibility & Accessory Package
  - universal socket support:
    - Intel: LGA1366, LGA1156, LGA775
    - AMD: AM3, AM2+, AM2
  - premium thermal grease maximizes heat transfer from the CPU into the cooler copper base for rapid dissipation

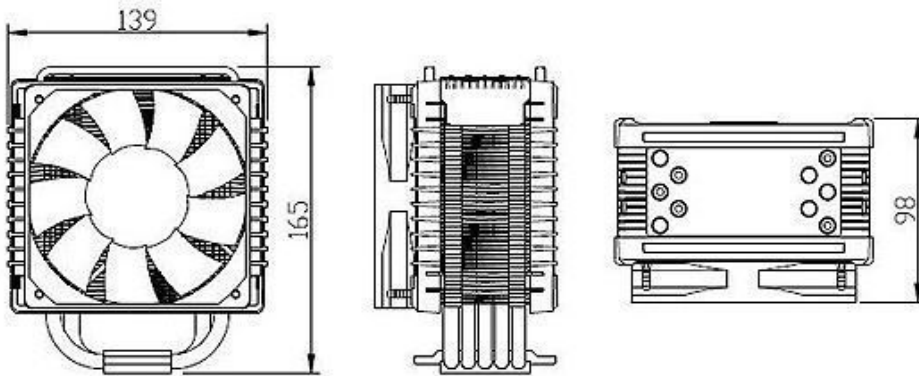
---

## SMART THERMAL MANAGEMENT SYSTEM

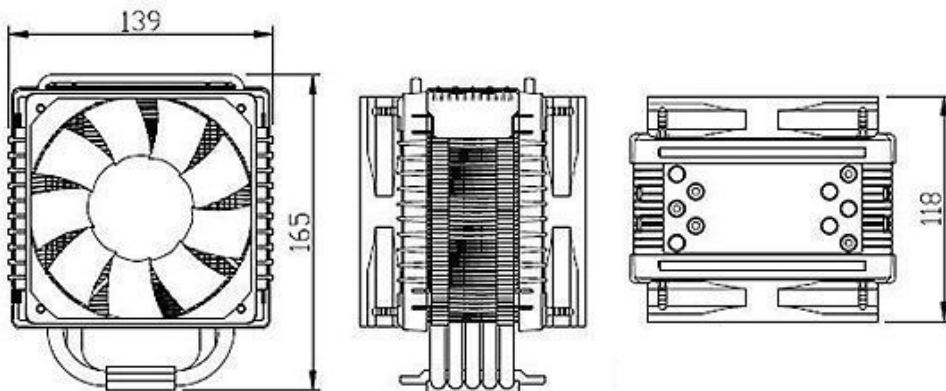


## DIMENSION

### Single Fan



### Dual Fan



# Specifications

## Intel® Latest 6-Core Processors

Intel® Core i7 Extreme (Socket LGA1366)  
 Intel® Core i7 (Socket LGA1366 & LGA1156)  
 Intel® Core i5 (Socket LGA1156)  
 Intel® Core i3 (Socket LGA1156)  
 Intel® Core 2 Extreme (Socket LGA775)  
 Intel® Core 2 Quad (Socket LGA775)  
 Intel® Core 2 Duo (Socket LGA775)  
 Intel® Pentium D (Socket LGA775)  
 Intel® Pentium 4 (Socket LGA 775)  
 Intel® Pentium (Socket LGA775)  
 Intel® Celeron D (Socket LGA775)  
 Intel® Celeron (Socket LGA775)  
 AMD® Phenom II X4 / X3 / X2 (Socket AM3/AM2+)  
 AMD® Phenom X4 / X3 (Socket AM3/AM2+)  
 AMD® Athlon 64 FX (Socket AM2)  
 AMD® Athlon 64 X2 (Socket AM2)  
 AMD® Athlon 64 (Socket AM2)  
 AMD® Sempron (Socket AM2)

Compatibility

Heatsink Dimension	139(L) x 98(W) x 165(H) mm
Heatsink Material	Aluminum Fins Aluminum & Copper Base
Heatpipe	Ø 8mm x 5
Fan Dimension	120(L) x 120(H) x 25(W) mm
Fan Speed	1,200 ~ 2,500 RPM
Bearing Type	----
Noise Level	20 ~ 43 dBA
Max. Air Flow	101.6 CFM
Max. Air Pressure	4.2 mmH <sub>2</sub> O
LED Fan	----
Power Connector	3 Pin
Rated Voltage	12 V
Started Voltage	6 V
Rated Current	0.5 A
Power Input	6 W
MTBF	50,000 Hrs @ 40°C
Weight	1,042 g

## Additional Information

---

Brand	Thermaltake
SKU	CLP0564-D
Weight	3.0000
Material	Copper/Aluminum
Fan Dimensions	120mm
Fan Connection	4-Pin PWM

