

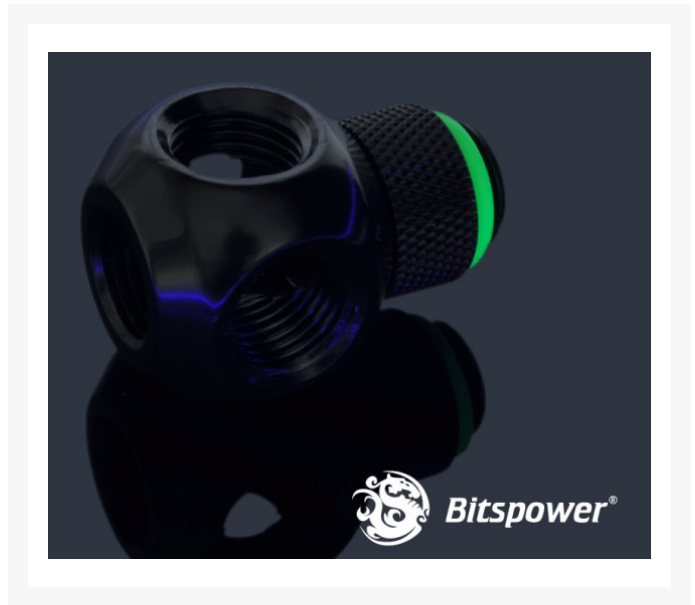
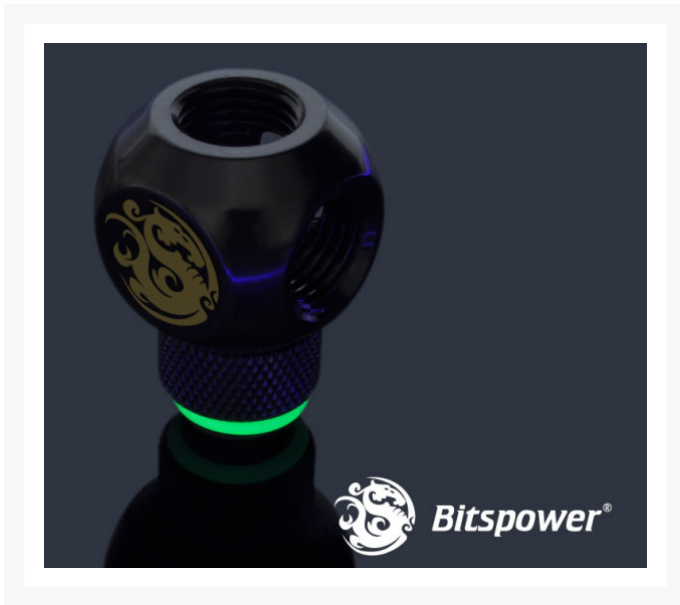


# Bitspower Matte Black Rotary Fitting "Q" PLUS - 360 Degree Water Cooling Accessory

\$14.95

## Product Images





## Short Description

---

Bitspower G1/4" Q Plus -Rotary IG1/4"X4 Extender. This is a 4-way splitter to 4 x G1/4 threads to add any other fittings of your choice. The other end is a male G1/4 thread and this end is rotary meaning that once the fitting is tight you can still rotate it so that the angle is to your liking. Bitspower's brass "Q" shiny fitting accessory to use for tight water-cooling situations. This is a Premium metal piece that is perfect for SLI on the bottom graphics card water block for bottom mounted PSU type cases and other tight spacings. High quality splitter from none other than Bitspower!

## Description

---

Bitspower G1/4" Q Plus -Rotary IG1/4"X4 Extender. This is a 4-way splitter to 4 x G1/4 threads to add any other fittings of your choice. The other end is a male G1/4 thread and this end is rotary meaning that once the fitting is tight you can still rotate it so that the angle is to your liking. Bitspower's brass "Q" shiny fitting accessory to use for tight water-cooling situations. This is a Premium metal piece that is perfect for SLI on the bottom graphics card water block for bottom mounted PSU type cases and other tight spacings. High quality splitter from none other than Bitspower!

Please note:

\*\*\* Bitspower reserves the right to change the product design and interpretations. These are subject to change without notice. Product colors and accessories are based on the actual product. \*\*\*

\*\*\* From 15th March 2018, all of our installation guides will be provided electronically via an easy-to-use QR code attached to the packaging. \*\*\*

\*\*\* Before filling in the water, please make sure all the components are installed correctly. To prevent any leakage which may damage the PC components, please perform a 24-hour leaking test with only the pump connected to the power supply. \*\*\*

\*\*\* When using the leak tester on a water cooling loop, in order to avoid product damage due to excessive

pressure, the input pressure should not exceed 0.5kg/cm<sup>2</sup> (bar), and do not over 30 second. The leak tester must not be used when there is water in the loop or when the pump is running. If the product is damaged due to excessive pressure or incorrect use, Bitspower's product warranty will be null and void, and the cost of any damage to the hardware will be borne by the customer. \*\*\*

## Features

---

Features:

- Special Design for PC Water Cooling
- Perfect Surface treatment
- True Hi-Flow Design
- Hi Quality Brass Material
- Full 360-Degree Rotation
- High durability Nickel finished
- Hiding O-Ring Design
- Fit All Bitspower Compression Fittings
- RoHS Compliant

## Specifications

---

- Material : Hi Quality Brass
- Thread : G1/4"
- Thread No.: 1 Male
- Thread Length : 5MM
- Inner G1/4" Thread No. : 4 Female

Includes:

- Brass 360 Degree Housing plus 1 extra Y axis G 1/4" thread (Fittings Optional)

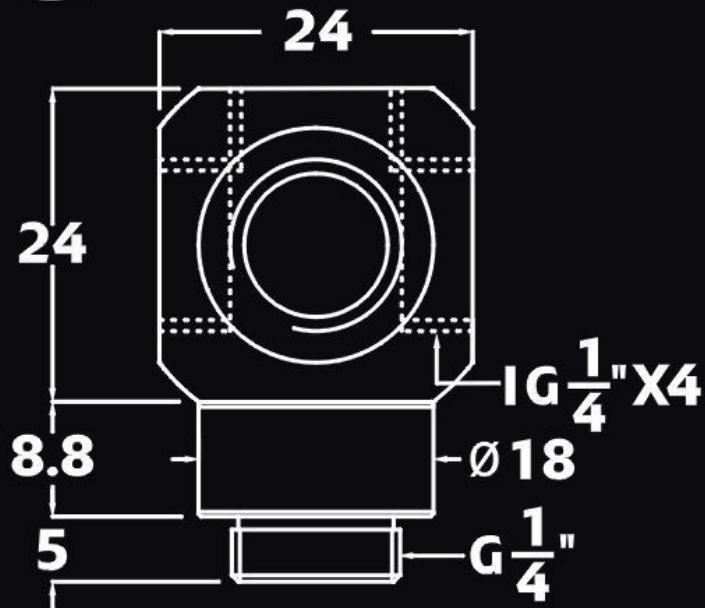
Options:

- Fittings - Many options (Standard, Stubby, Mini, Micro)

Dimensions:



**Bitspower®**



**FR-C**

**Dimension In "MM"**

## Additional Information

Brand	Bitspower
SKU	BP-MBFR-C
Weight	0.2000
Special Order	No
Fitting Type	Splitter
Fitting Angle	360 Q
Fitting Finish	Matte Black
Vendor SKU/EAN	4711946744823

