

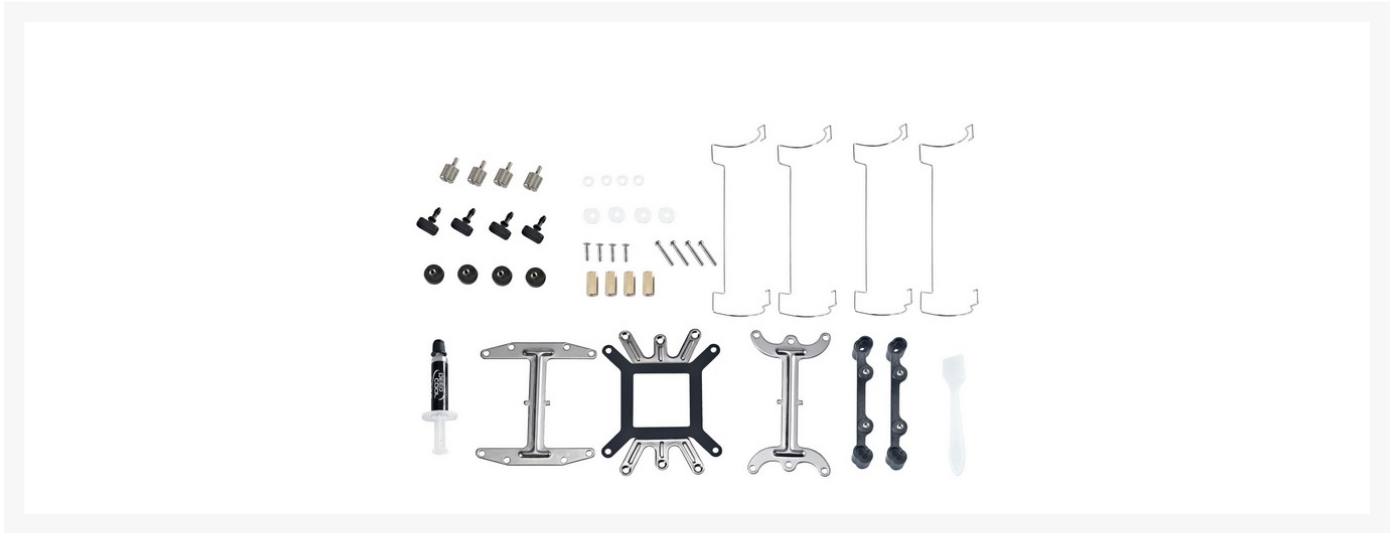


Logisys ICE BLADE PRO CPU Cooler

Special Price
\$32.87 was
\$46.95

Product Images





Short Description

New Logisys ICE BLADE PRO is an Ideal Performer for Core Touch Technology (CTT).

Description

New Logisys ICE BLADE PRO is an Ideal Performer for Core Touch Technology (CTT).

Features

- Equipped with multiple clips to support Intel LGA1366/1155/1156/775 and AMD AM3/AM2+/AM2.
- 4 pieces of $\Phi 8$ mm heatpipes conduct heat from the processor quickly to protect it from overheating.
- Patented Core Touch Technology(CTT) gives perfect contact with the CPU surface.
- 120x120x25mm PWM fan offers optimal airflow.
- Semi-transparent fan with blue LED, modding looking.
- 47 pieces of aluminum fins with big surface dissipate heat efficiently.
- De-vibration rubber buckles absorb operating noise maximumly.
- Intelligent side flow design further utilizes system airflow to improve computer case ventilation.
- Tool free installation.
- Especially recommended for Intel core i7, a perfect choice for overclockers.

Specifications

Specifications:

| | | | |
|--------------------------------------|-----------------------------------|--------------------------|---------------------------------|
| Overall Dimension 125.5X104X157mm | Fan Dimension 120X120X25mm | Net Weight 1053g | Bearing Type Hydro Bearing |
| Rated Voltage 12VDC | Operating Voltage 10.8~13.2VDC | Started Voltage 7VDC | Rated Current 0.25±10%A(MAX) |
| Power Input 3.0W | FAN Speed 900±150~1500±10%RPM | MAX.Air Flow 60.29CFM | Noise 21.4~32.1dB(A) |

Application For

- Intel Socket 150W
LGA1366/LGA1155/LGA1156/LGA775
- Core i7/i5/i3
- Core 2 Extreme
- Core 2 Quad
- Core 2 Duo
- Pentium/Pentium G
- Pentium D/Pentium 4
- Celeron Dual-Core
- Celeron/Celeron D
- AMD Socket 140W
AM3/AM2/AM2+
- Phenom II X6/X4/X3/X2
- Phenom X4/X3
- Athlon II X4/X3/X2
- Athlon X2
- Athlon/Athlon FX
- Business Class
- Sempron

Additional Information

| | |
|----------------|-----------------|
| Brand | Logisys |
| SKU | MC4005IB-D |
| Weight | 2.0000 |
| Material | Copper/Aluminum |
| Fan Dimensions | 120mm |
| Fan Connection | 4-Pin PWM |
| LED Color | Blue |
| Special Price | \$32.87 |

