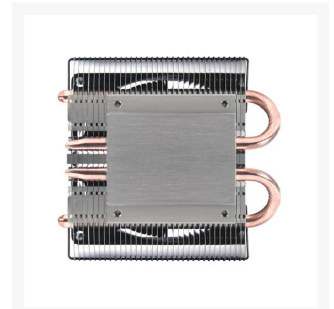




Thermaltake Thermaltake Slim X3 CLP0534 80mm CPU Cooler

\$19.99

Product Images





Short Description

The Slim X3 CPU cooler from Thermaltake provides an efficient CPU cooling solution for building a HTPC on a budget. With an ultra low 36mm profile, it is designed to fit in slim type cases. The Slim X3 doesn't cut corners in regards to cooling. Its dual heatpipes, bonded with aluminum fins and base, provides excellent thermal conductivity of damaging heat away from the CPU. The fan spins between 1200 and 2400 RPM depending on the actual CPU load at a quiet noise level.

Description

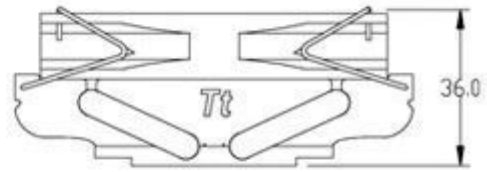
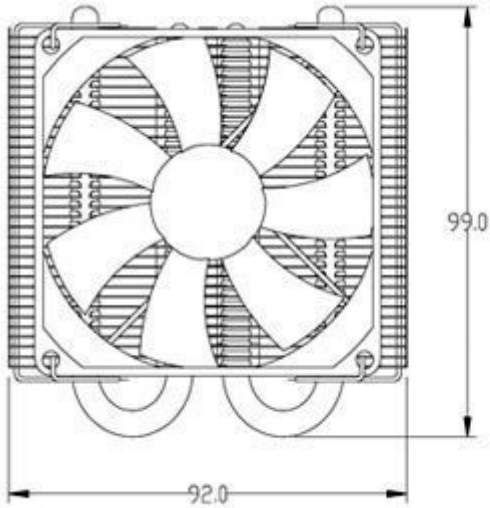
The Slim X3 CPU cooler from Thermaltake provides an efficient CPU cooling solution for building a HTPC on a budget. With an ultra low 36mm profile, it is designed to fit in slim type cases. The Slim X3 doesn't cut corners in regards to cooling. Its dual heatpipes, bonded with aluminum fins and base, provides excellent thermal conductivity of damaging heat away from the CPU. The fan spins between 1200 and 2400 RPM depending on the actual CPU load at a quiet noise level.

The Slim X3 installs quickly and easily - and without tools - using push pins to provide good contact with the CPU's heat spreader. This highly rated cooler will help protect your investment on Intel socket LGA775 or LGA 1156 with support for CPUs up to 75W TDP.

Features

- Ultra low height designed for slim type case
- 80mm PWM fans with low noise

- Dual Heatpipes Design
- Easy installation



Specifications

Compatibility	Intel® Core i5 (Socket LGA1155/1156) Intel® Core i3 (Socket LGA1155/1156) Intel® Core 2 Extreme (Socket LGA775) Intel® Core 2 Quad (Socket LGA775) Intel® Core 2 Duo (Socket LGA775) Intel® Pentium D (Socket LGA775) Intel® Pentium 4 (Socket LGA775) Intel® Pentium (Socket LGA775) Intel® Celeron D (Socket LGA775) Intel® Celeron (Socket LGA775) * Supports All CPUs up to 75W TDP
Heatsink Dimension	92(L) x 99(W) x 36(H) mm
Heatsink Material	Aluminum Fins & Base
Heatpipe	Heatpipe (x2)
Fan Dimension	Ø 80 x 15 mm
Fan Speed	1,200 ~ 2,400 RPM
Bearing Type	----
Noise Level	20 ~ 26.9 dBA
Max. Air Flow	10.814 ~ 22.35 CFM
Max. Air Pressure	0.458 ~ 1.93 mmH2O
LED Fan	----

Power Connector	4 Pin (PWM)
Rated Voltage	12 V
Started Voltage	9 V
Rated Current	0.28 A
Power Input	3.36 W
MTBF	30,000 Hrs
Weight	180 g

Additional Information

Brand	Thermaltake
SKU	CLP0534
Weight	2.0000
Material	Aluminum
Fan Dimensions	80mm
Fan Connection	4-Pin PWM
Vendor SKU/EAN	841163038093

