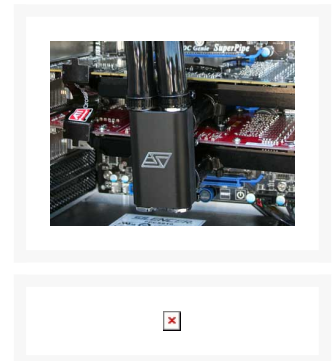




Swiftech Dual SLI/CrossFire Bridge - 1.6" PCI Spacing - Black

\$14.95

Product Images



Short Description

This new series of manifolds, also referred to as bridges, provide an elegant, convenient and economical solution to implement SLI and CrossFire with the MCW60, 80 and 82 Universal GPU waterblocks.

Description

This new series of manifolds, also referred to as bridges, provide an elegant, convenient and economical solution to implement SLI and CrossFire with the MCW60, 80 and 82 Universal GPU waterblocks.

Features





Specifications

Available Sizes

- For SLI/CrossFire (2 cards)
 - 1.6" PCI Spacing
 - 2.4" PCI Spacing
- For Triple SLI/CrossFire (3 cards) 1.6" PCI spacing

Available Colors

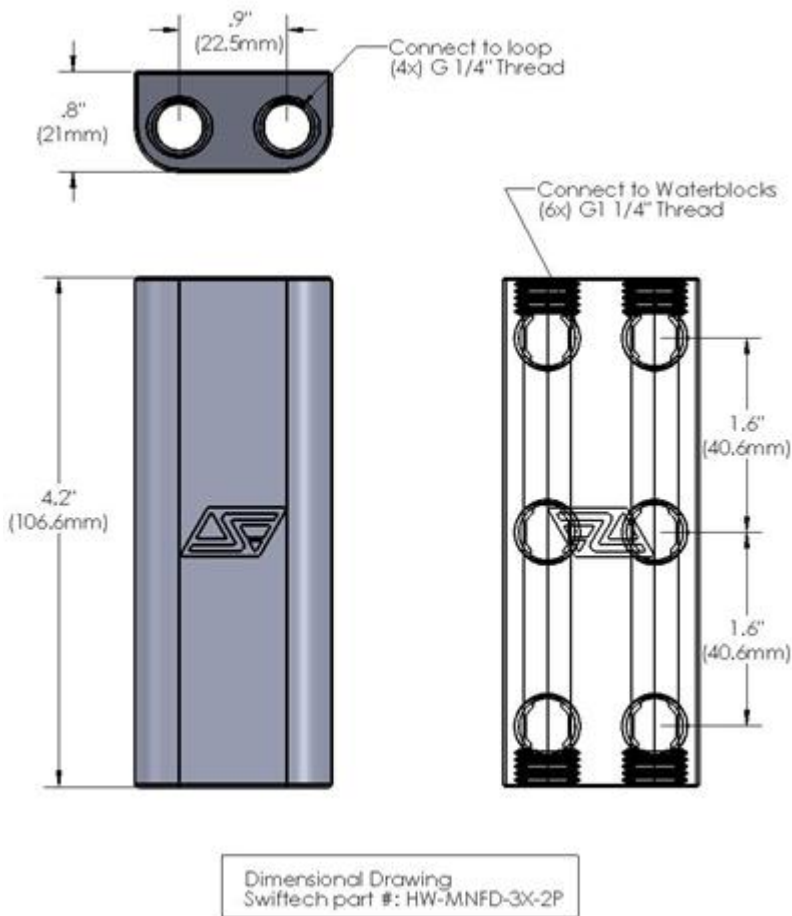
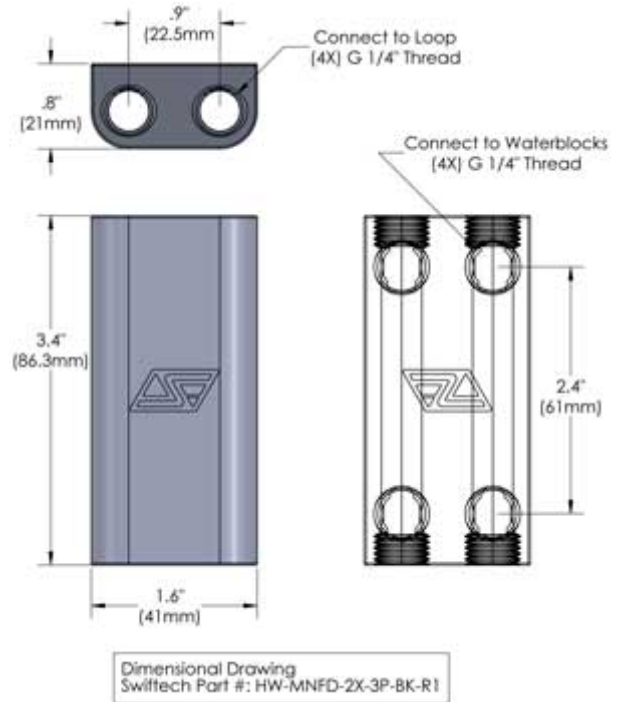
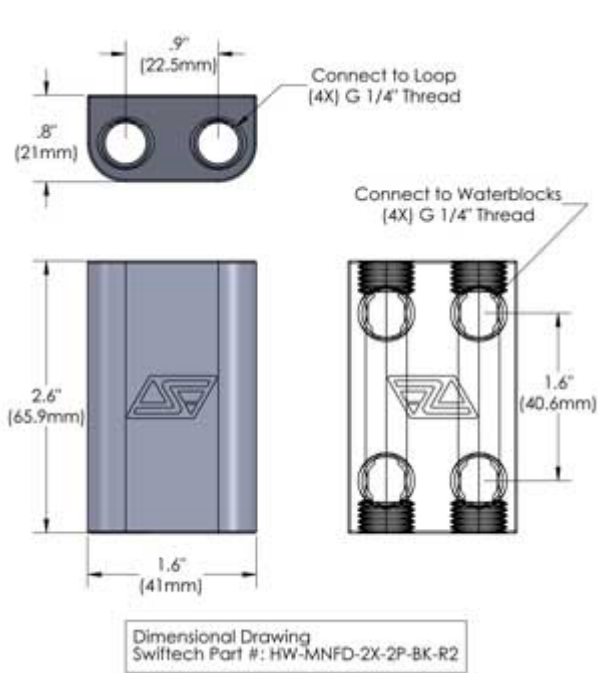
- Black with Chrome Logo
- White with Black Logo

Specifications:

Material:

- Polyacetal Copolymer with inlayed Chrome Plated Logo
- White Polyacetal Copolymer with inlayed Black Logo

- Port sizes: G1/4" (1/4" BSPP)



What's included the Box:

- Bridge
- (2) G1/4 Chrome plated plugs

Compatible Swiftch fittings (optional):

- 1/4" BSPP x 1/2" barb, Eurostyle
- 1/4" BSPP x 3/8" barb, Eurostyle

Other compatible fittings:

- All G1/4 barb fittings
- Compression fittings up to 1/2" Tube OD

Additional Information

| | |
|----------------------|---------------------|
| Brand | Swiftech |
| SKU | HW-MNFD-2X-2P-BK-R2 |
| Weight | 0.3000 |
| Color | Black |
| Vga | Universal |
| Block GPU Type | Nvidia/AMD |
| Block Accessory Type | SLI Bridge |

