



# Swiftech Dual SLI/CrossFire Bridge - 2.4" PCI Spacing - Black

\$15.95

## Product Images



## Short Description

This new series of manifolds, also referred to as bridges, provide an elegant, convenient and economical solution to implement SLI and CrossFire with the MCW60, 80 and 82 Universal GPU waterblocks.

## Description

---

This new series of manifolds, also referred to as bridges, provide an elegant, convenient and economical solution to implement SLI and CrossFire with the MCW60, 80 and 82 Universal GPU waterblocks.

## Features

---





## Specifications

---

### Available Sizes

- For SLI/CrossFire (2 cards)
  - 1.6" PCI Spacing
  - 2.4" PCI Spacing
- For Triple SLI/CrossFire (3 cards) 1.6" PCI spacing

### Available Colors

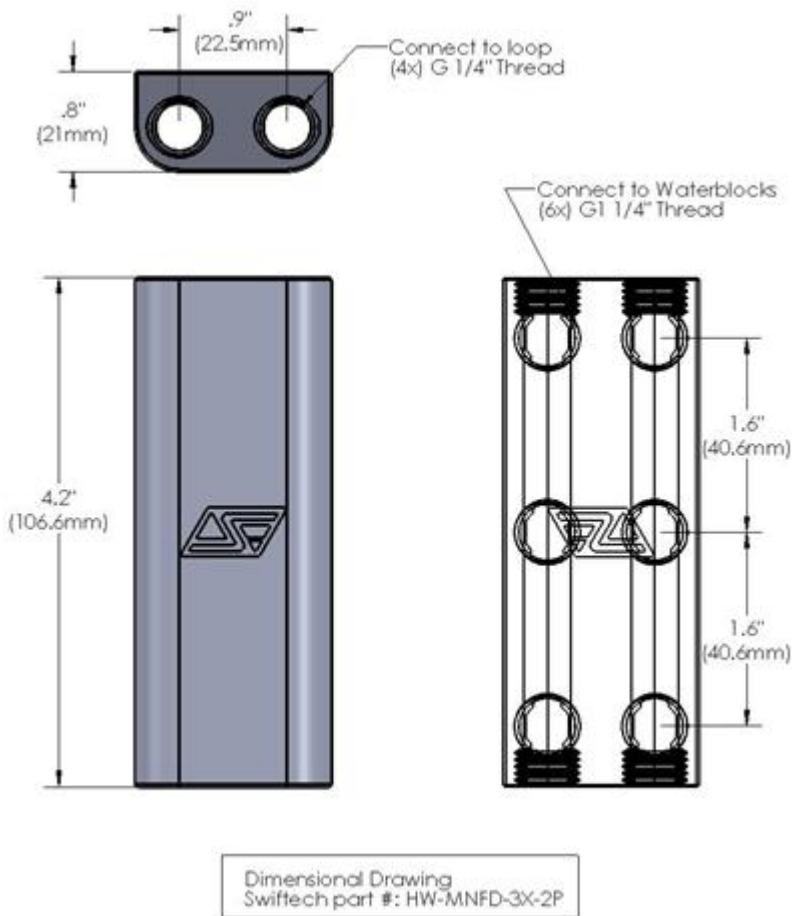
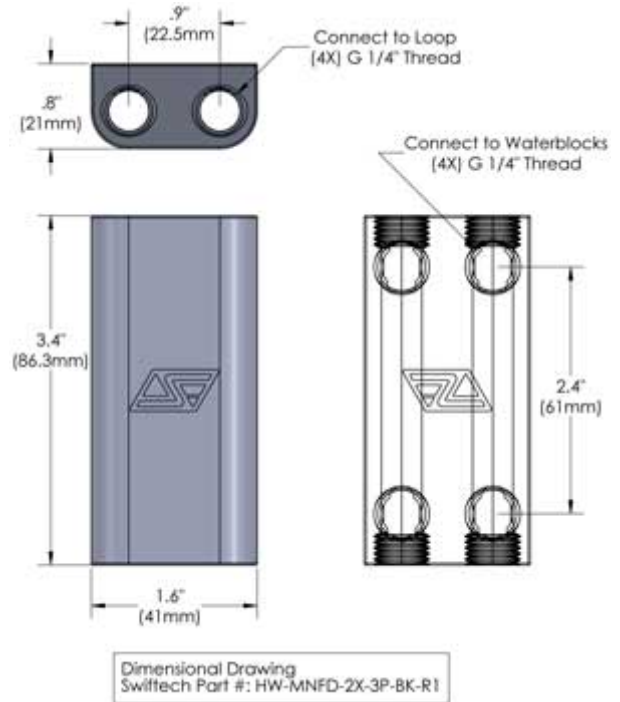
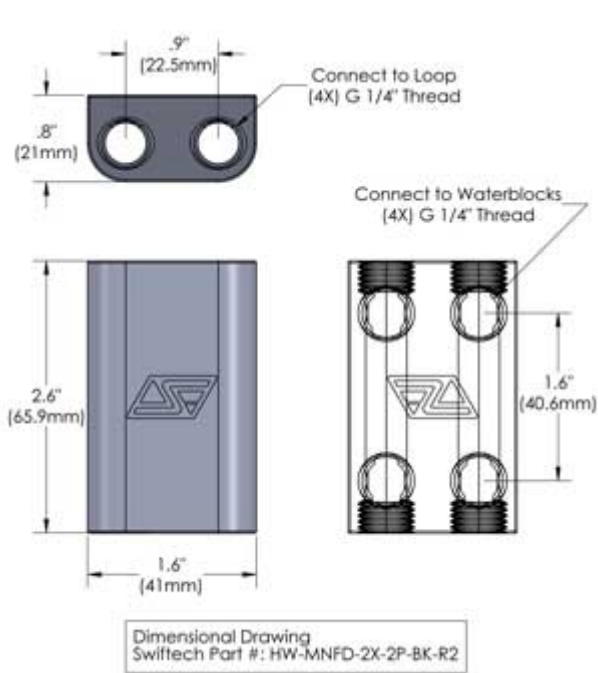
- Black with Chrome Logo
- White with Black Logo

### Specifications:

#### Material:

- Polyacetal Copolymer with inlayed Chrome Plated Logo
- White Polyacetal Copolymer with inlayed Black Logo

- Port sizes: G1/4" (1/4" BSPP)



What's included the Box:

- Bridge
- (2) G1/4 Chrome plated plugs

Compatible Swifttech fittings (optional):

- 1/4" BSPP x 1/2" barb, Eurostyle
- 1/4" BSPP x 3/8" barb, Eurostyle

Other compatible fittings:

- All G1/4 barb fittings
- Compression fittings up to 1/2" Tube OD

## Additional Information

---

Brand	Swiftech
SKU	HW-MNFD-2X-3P-BK-R1
Weight	0.3000
Color	Black
Vga	Universal
Block GPU Type	Nvidia/AMD
Block Accessory Type	SLI Bridge

